

si riserva di apportare senza alcun preavviso qualsiasi modifica alle caratteristiche tecniche indicate nel presente catalogo.

reserves the right to modify the technical data mentioned into this catalogue without notice.



13

- Cerniere
- Fermaporta
- Accessori per furgoni frigoriferi

- *Hynge*
- *Stop door*
- *Fitting for frigo van*

Ferma porta sottotelaio con attacco in piano zincato

Galvanized door retainer

Arret de porte articulable zinguè

Tuerfesteller rundbueg verzinkt

Art. 80296110 - 2,000 kg

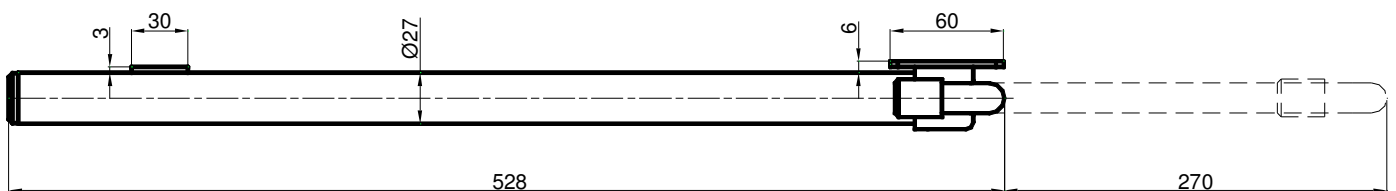
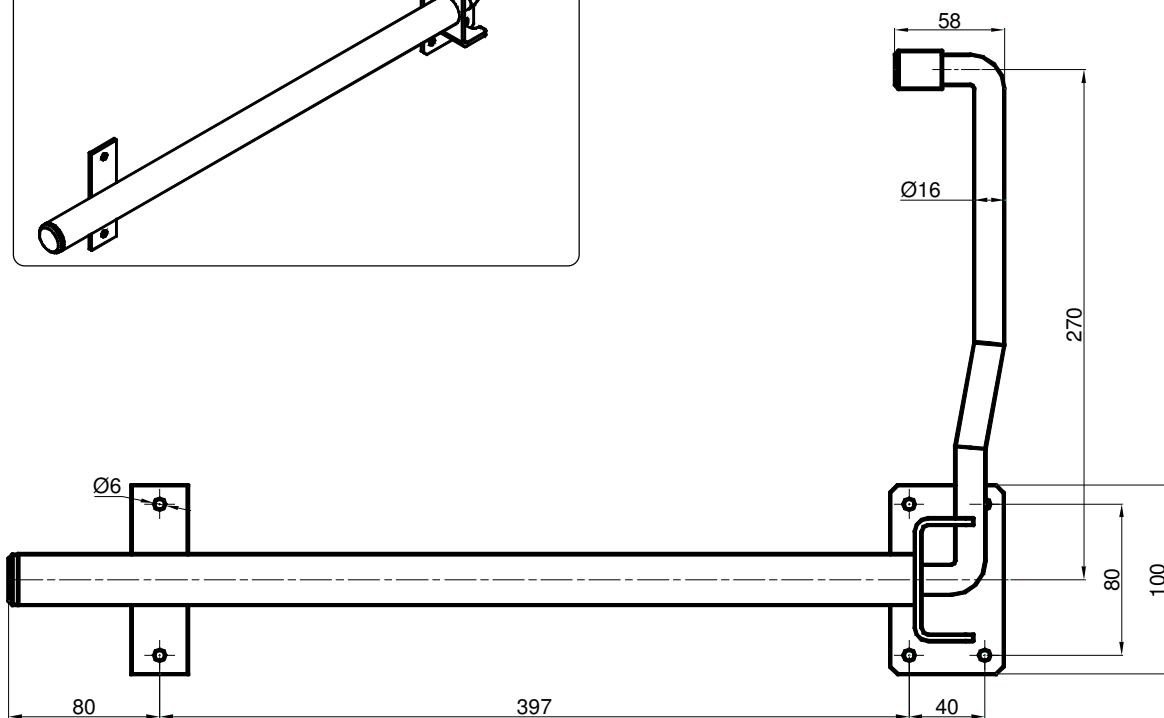
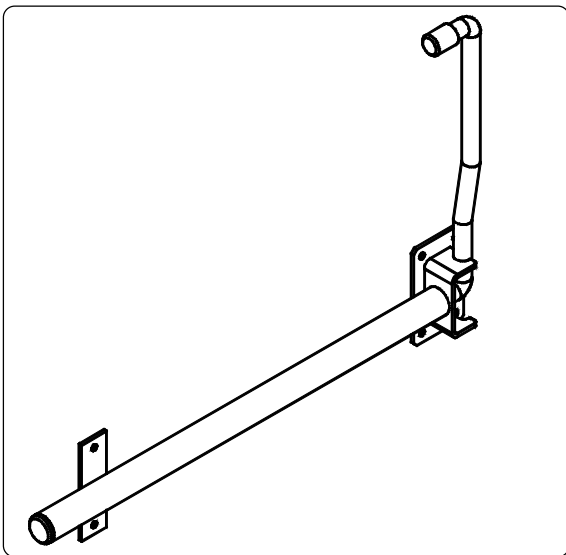
Ferma porta sottotelaio Inox

Stainless steel door retainer

Arret de porte articulable Inox

Tuerfesteller rundbueg Nirosta

Art. 80296510 - 2,000 kg



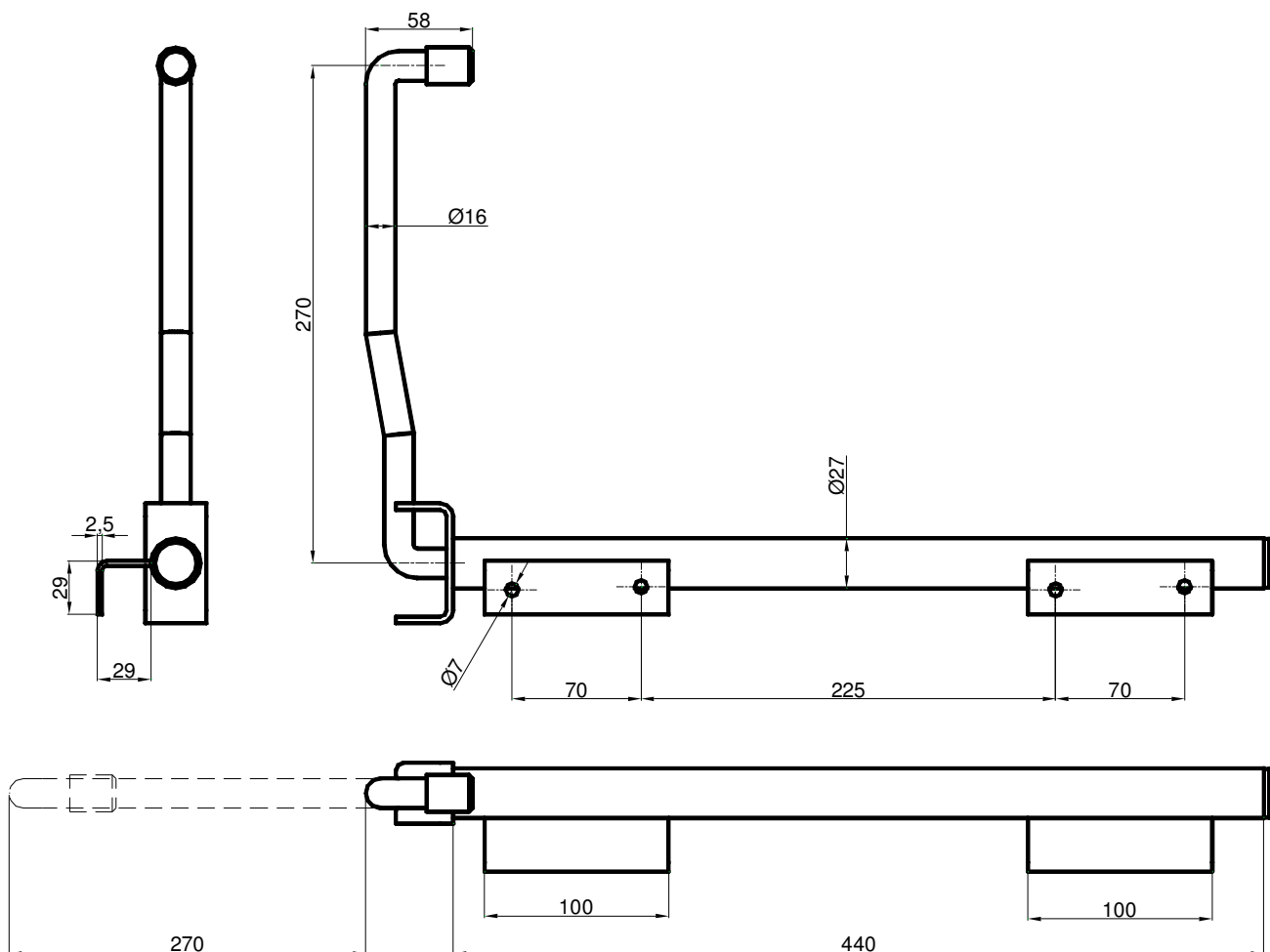
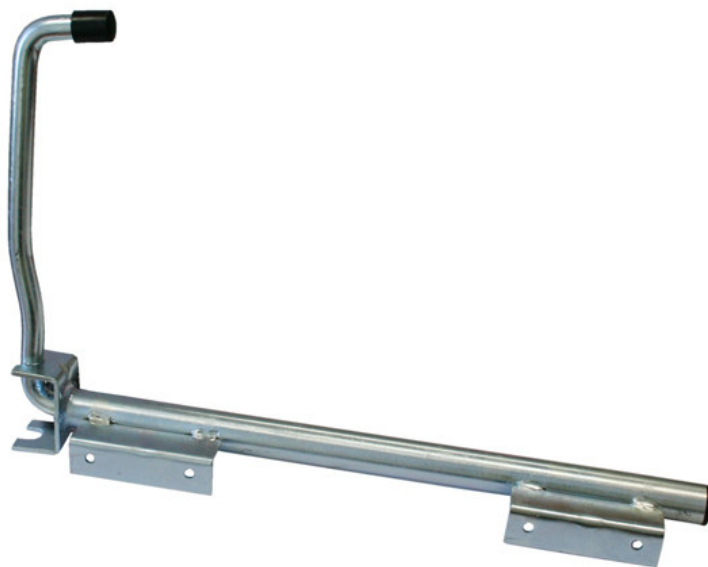
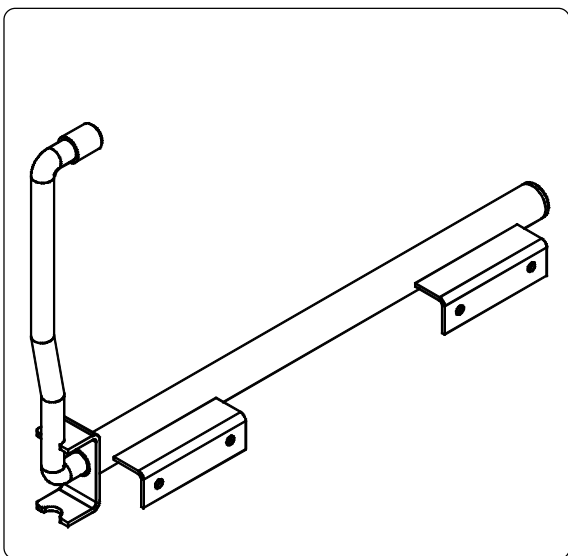
Ferma porta sottotelaio con attacco a squadro zincato

Galvanized door retainer

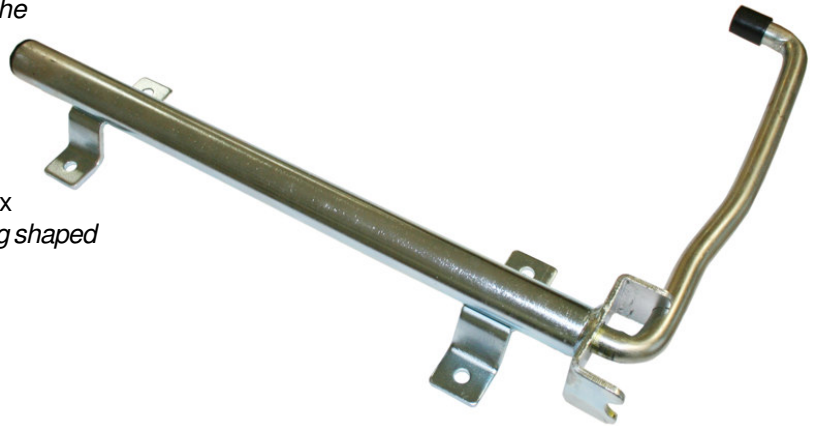
Arret de porte articulable zinguè

Tuerfesteller rundbueg verzinkt

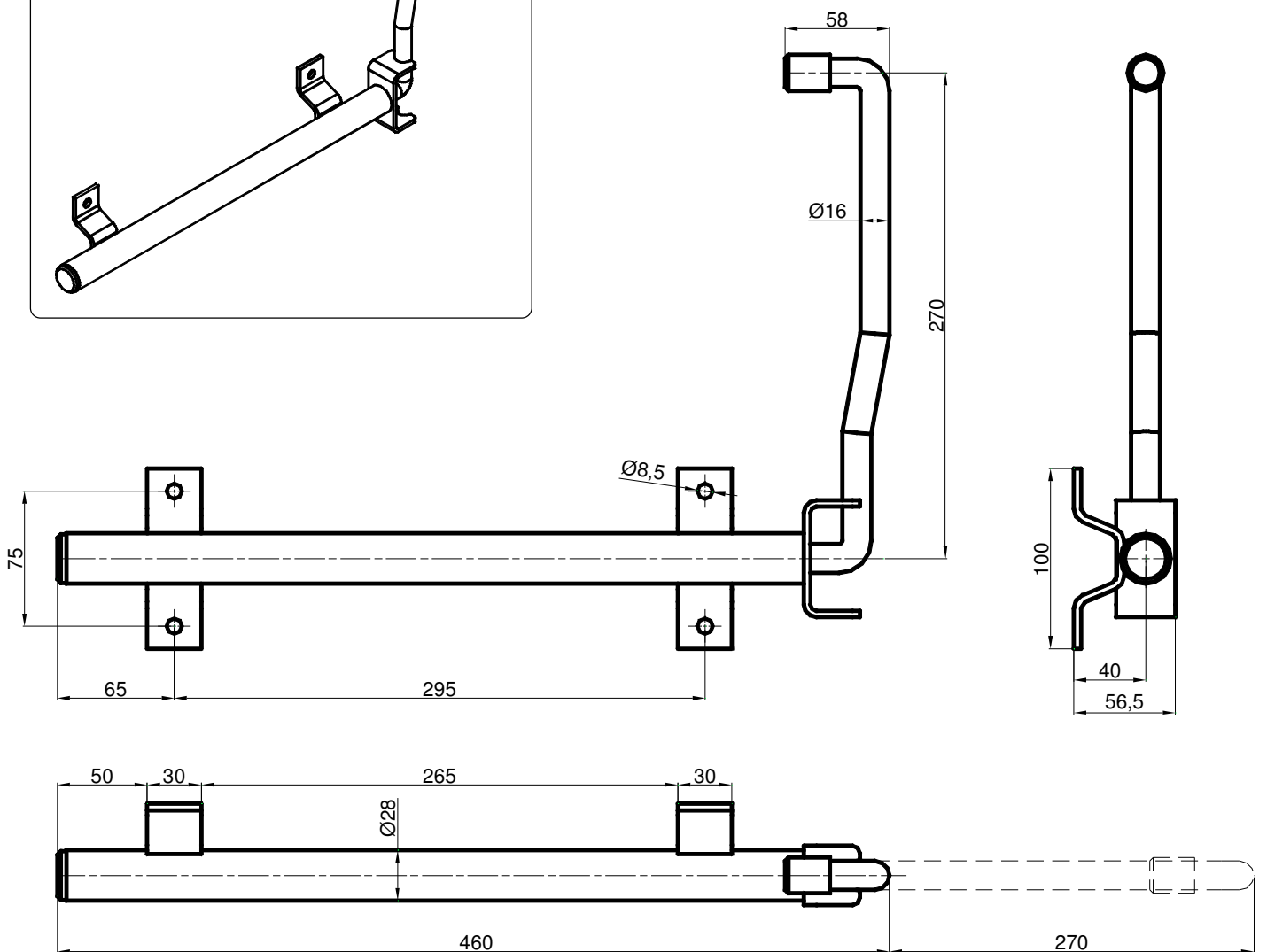
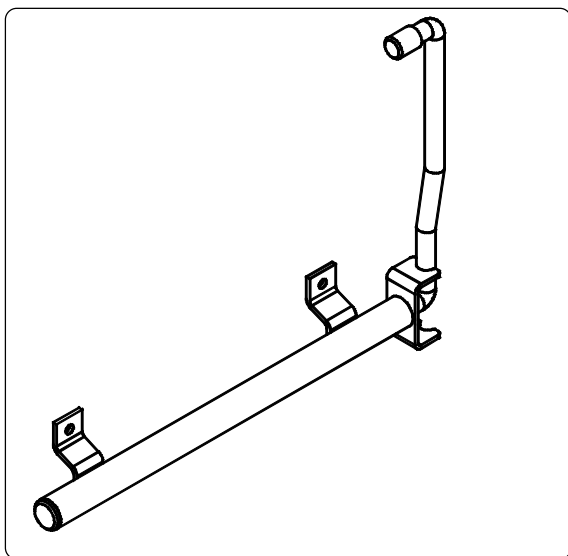
Art. 80296310 - 2,150 kg



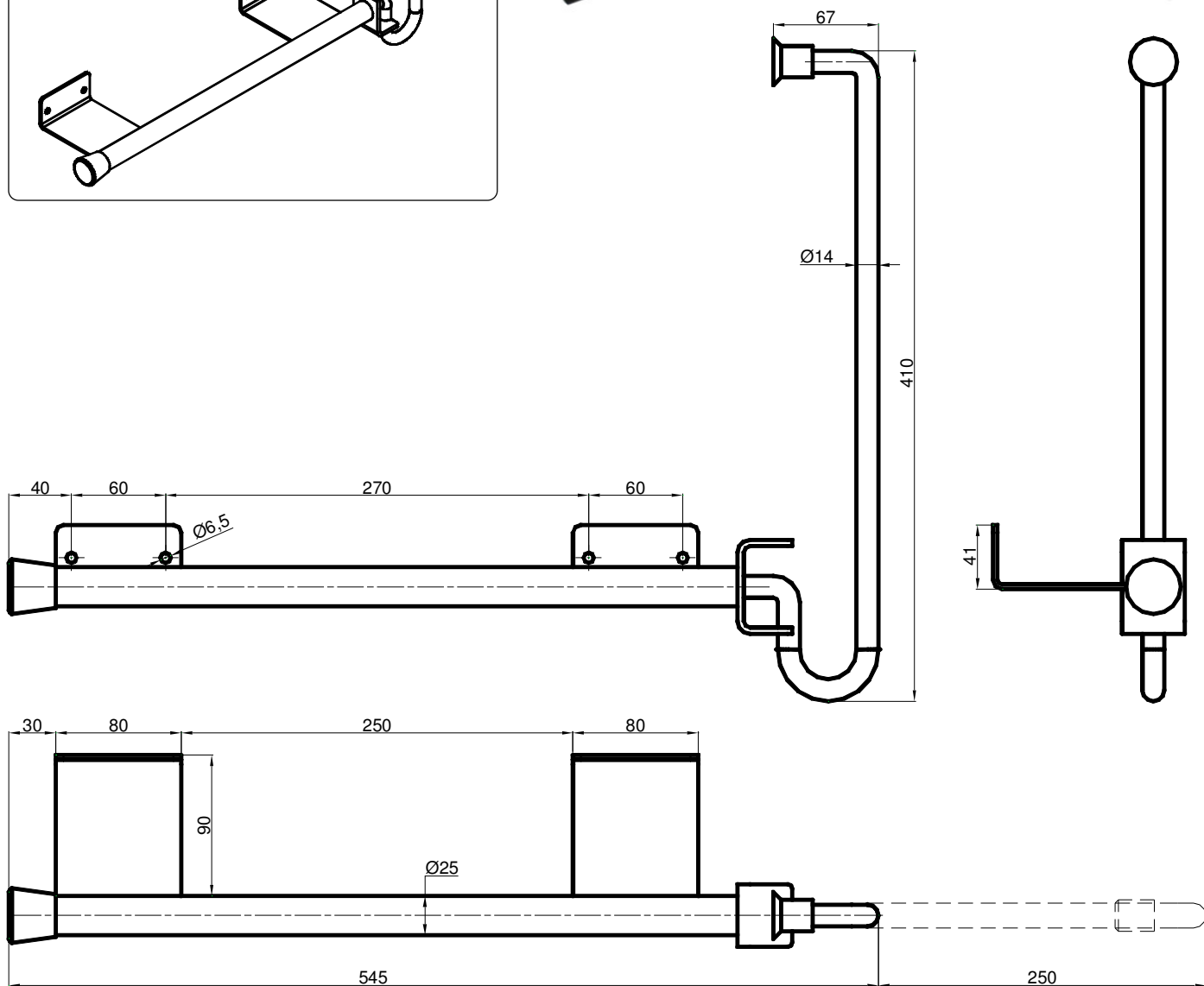
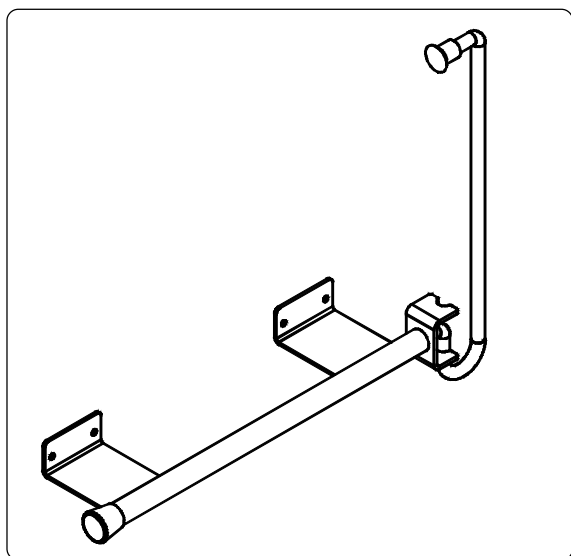
Ferma porta sottotelaio con attacco sagomato zincato
Galvanized door retainer underchassis with etching shaped
Arret de porte articulable zinguè profilè avec attache
Tuerfesteller rundbueg verzinkt
Art. 80296710 - 1,800 kg



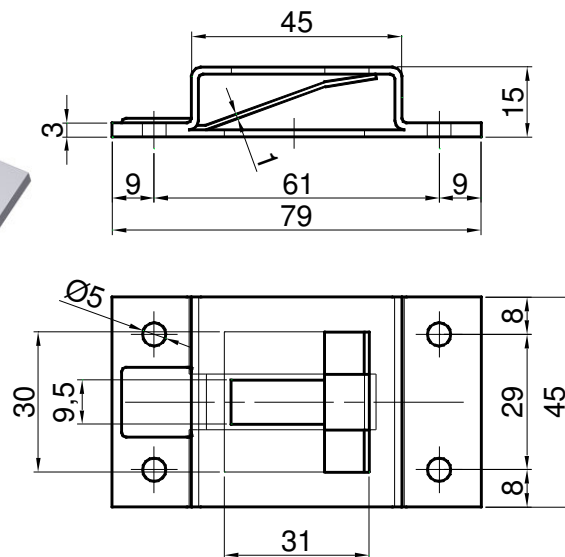
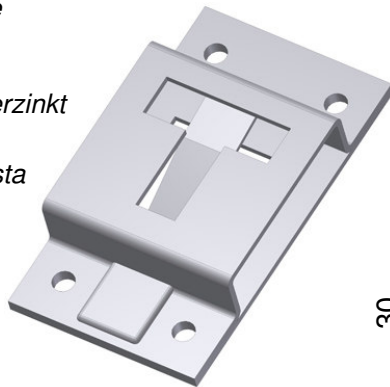
Ferma porta sottotelaio con attacco sagomato Inox
Stainless steel door retainer underchassis with etching shaped
Arret de porte articulable Inox profilè avec attache
Tuerfesteller rundbueg Nirosta
Art. 80296910 - 1,800 kg



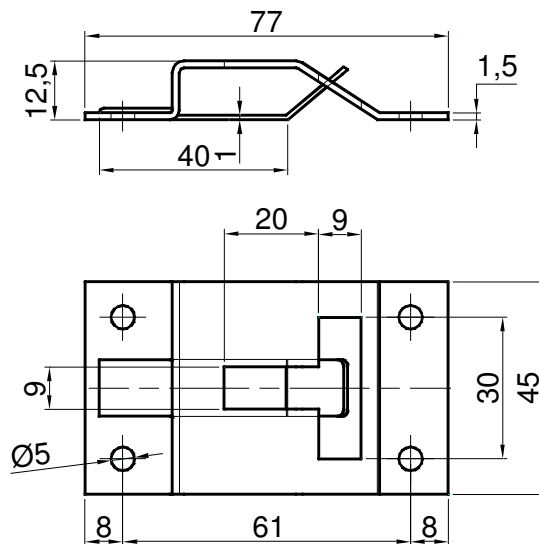
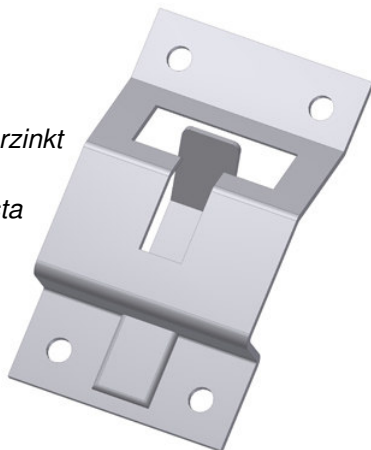
Ferma porta sottotelaio con attacco a squadro tipo Francese zincato
Galvanized door retainer under chassis Franch type with etching
Arret de porte articulable zinguè type France avec attache
Tuerfesteller rundbueg verzinkt type Franch
Art. 80296810 - 2,550 kg



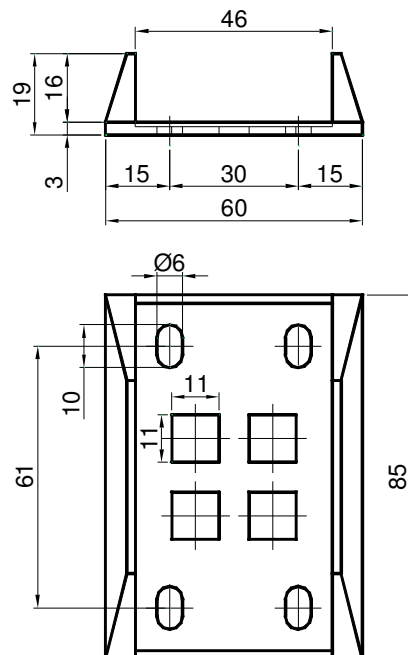
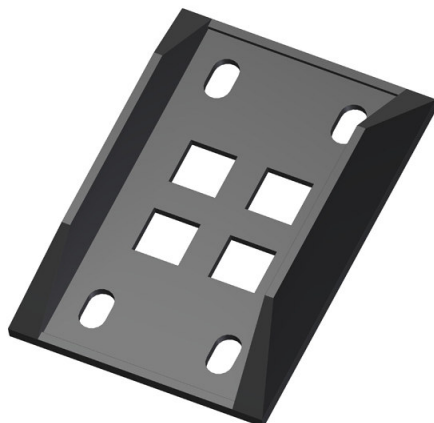
Ferma porta femmina con piastra
 Door holder flush female with plate
 Plaque de prise
 Aufbau-Halteteil mit feder
 Zincata - Galvanized - Zinguè - Verzinkt
Art. 80905400 - 0,070 kg
 Inox - Stainless steel - Inox - Nirosta
Art. 80905600



Ferma porta femmina
 Door holder flush female
 Plaque de prise
 Aufbau-Halteteil mit feder
 Zincata - Galvanized - Zinguè - Verzinkt
Art. 80905410 - 0,045 kg
 Inox - Stainless steel - Inox - Nirosta
Art. 80905620



Protezione in plastica
 PVC Protection plate
 PVC Base de protection
 Plastik-untergate dazu passed
Art. 80905700 - 0,025 kg

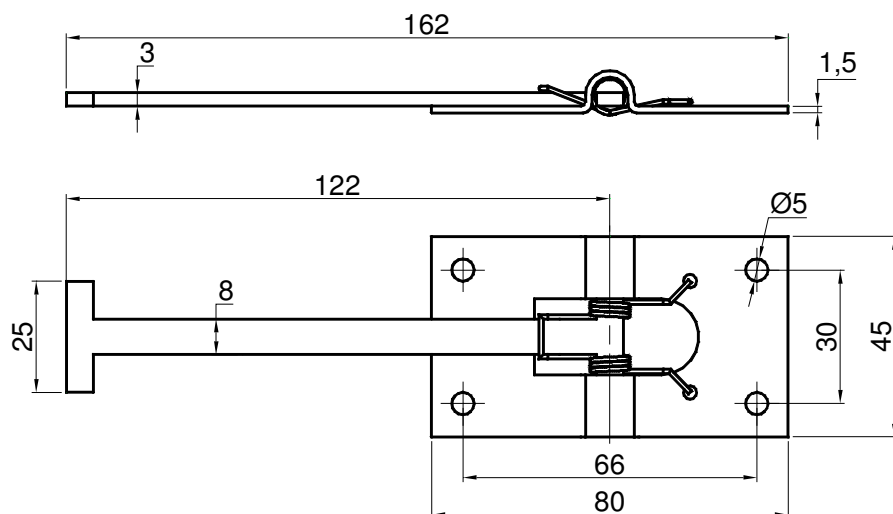


Ferma porta maschio L= 122 mm
 Door holder flush male L= 122 mm
 Gache d'arret de porte L= 122 mm
 Turnhalter zapfen teil L= 122 mm
 Zincata - Galvanized - Zinguè - Verzinkt

Art. 81225510 - 0,150 kg

Inox - Stainless steel - Inox - Nirosta

Art. 81225520

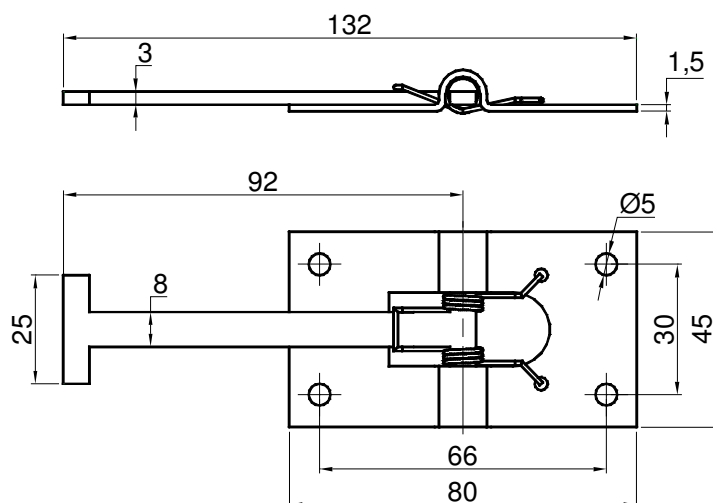


Ferma porta maschio L= 92 mm
 Door holder flush male L= 92 mm
 Gache d'arret de porte L= 92 mm
 Turnhalter zapfen teil L= 92 mm
 Zincata - Galvanized - Zinguè - Verzinkt

Art. 80905300 - 0,130 kg

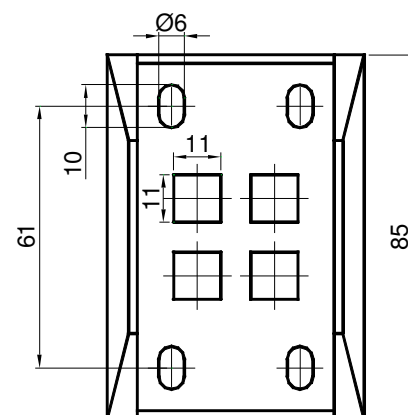
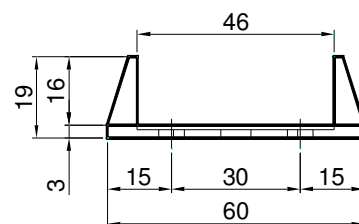
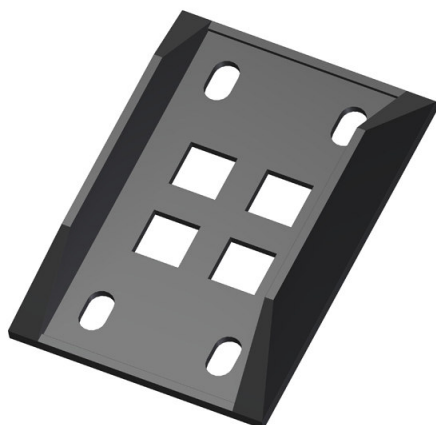
Inox - Stainless steel - Inox - Nirosta

Art. 80905500

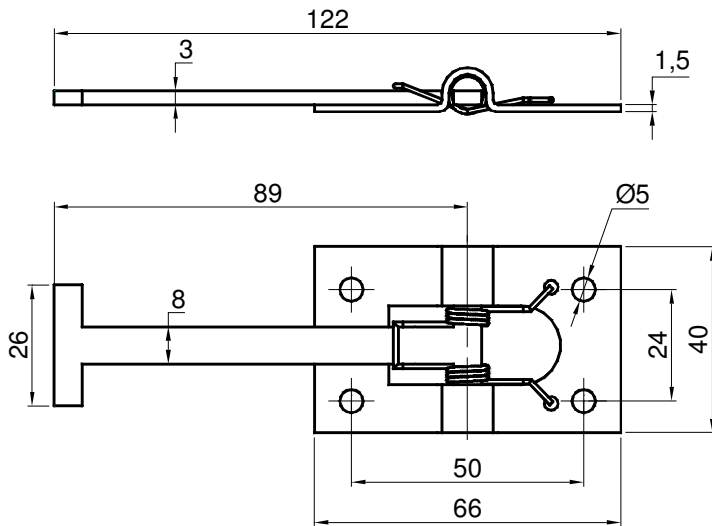


Protezione in plastica
 PVC Protection plate
 PVC Base de protection
 Plastik-untergate dazu passed

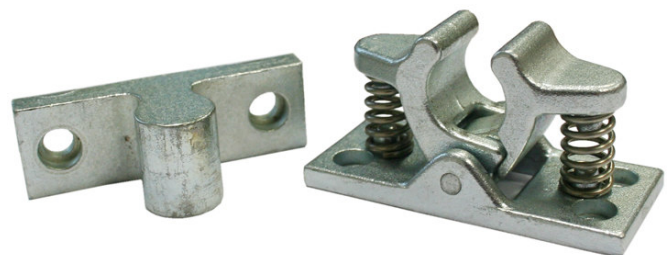
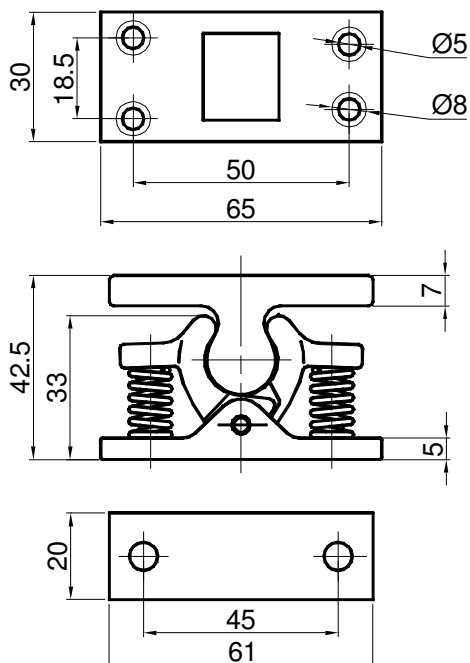
Art. 80905700 - 0,025 kg



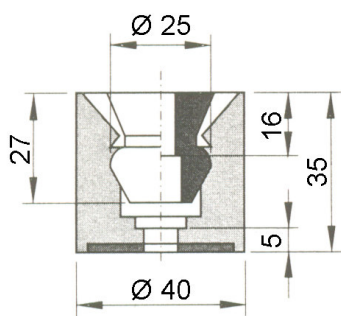
Ferma porta maschio piccolo in Inox L= 89 mm completo di protezione in plastica
Stainless steel small Door holder flush male L= 89 mm with PVC Protection plate
Art. 80907500 - 0,060 kg



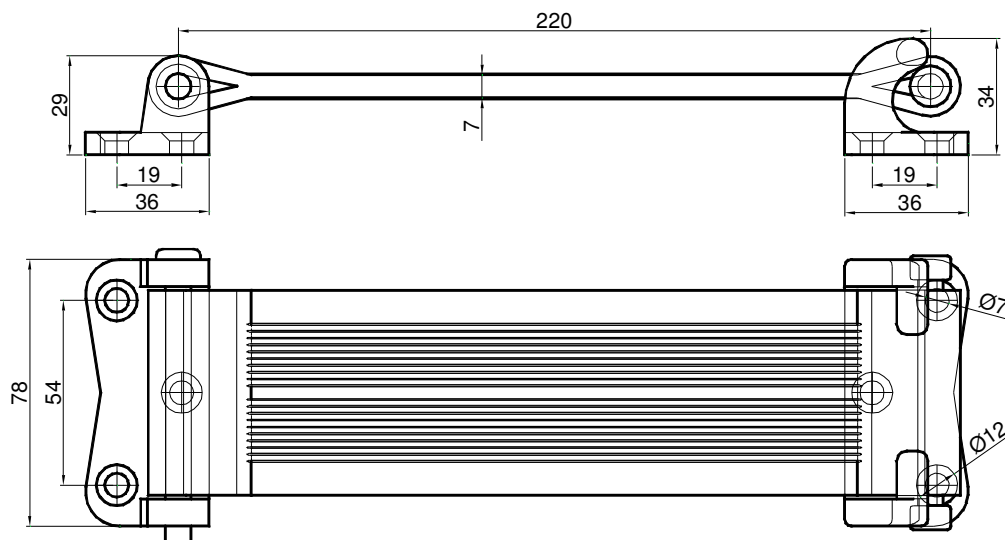
Ferma porta
Door holder flush
 Arrete de porte, partie gemelle en caoutchouc
 Aufbau-Halteteil
Art. 80700800 - 0,240 kg



Ferma porta femmina in PVC
PVC Door holder flush female
 Arrete de porte en nylon, partie gemelle en caoutchouc
 Aufbau-Halteteil mit feder
Art. 80700665 - 0,050 kg



Ferma porta lunghezza 222 mm
Door holder flush length 222 mm
 Arrete de porte longueur 222 mm
 Aufbau-Halteteil
Art. 80700666 - 0,350 kg



Cerniera a foglia con 3 fori zincata

Galvanized leaf hinge

Penture acier zinguè

Scharnier verzinkt

Art. 80276110 - 0,700 kg

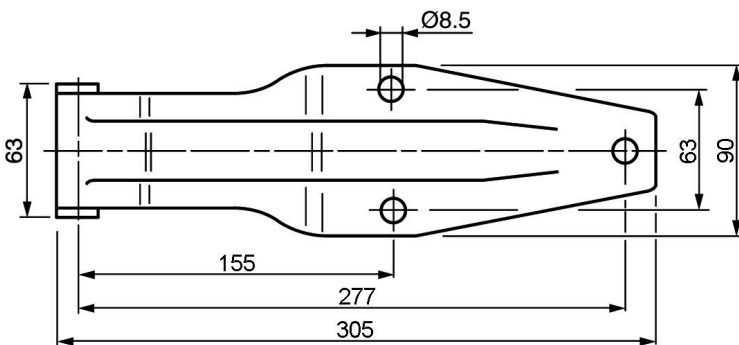
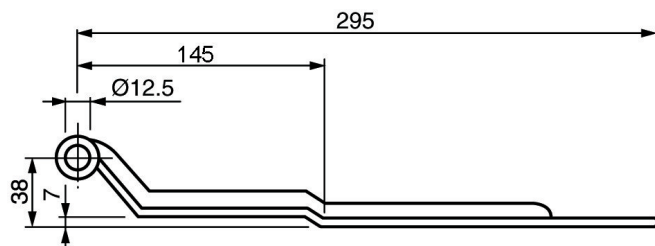
Cerniera a foglia verniciata con vernice epossidica

Mild epoxy grey painted door hinge

Penture acier revetement Epoxy gris

Scharnier epoxydisch lackiert

Art. 80476100



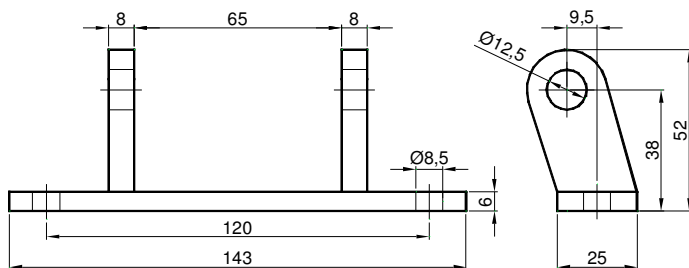
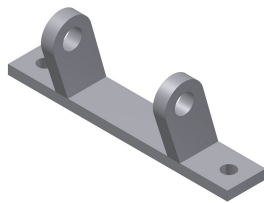
Cardine inclinato zincato

Galvanized hinge bracket

Chape zinguè

Verzinkt Scharnierbock

Art. 80289110 - 0,300 kg



Cardine a "U"

Raw hinge bracket type "U"

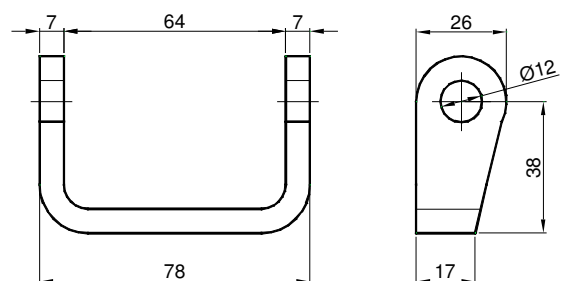
Chape tipe "U" brut

Roh Scharnierbock typ "U"

Art. 80280100 - 0,160 kg

Zincata - Galvanized - Zinguè - Verzinkt

Art. 80280110



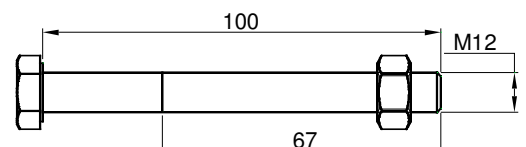
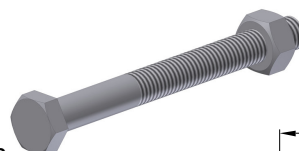
Perno di rotazione zincato M12x100

Galvanized pin M12x100

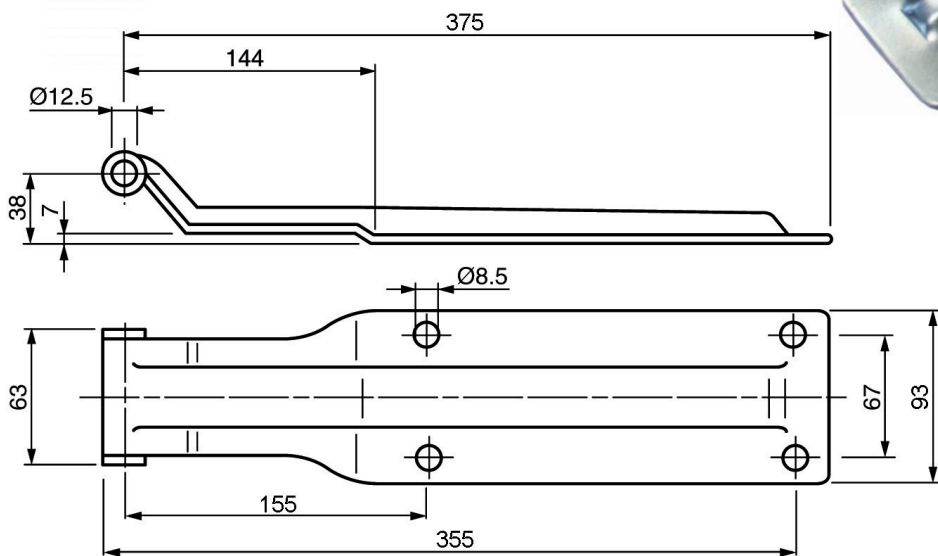
Goujon de rotation zinguè avec ecrou M12x100

Verzinkt Scharnierbolzen komplet mit mutter M12x100

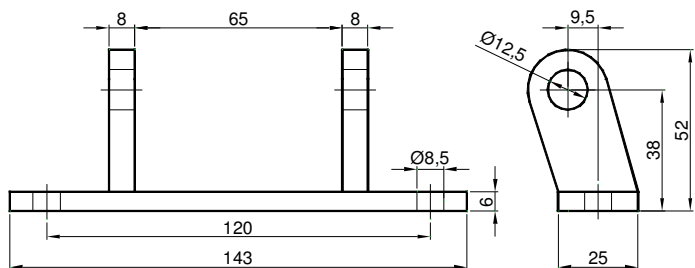
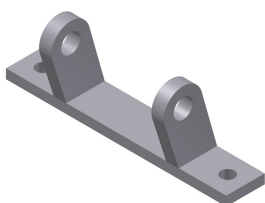
Art. 80288100 - 0,110 kg



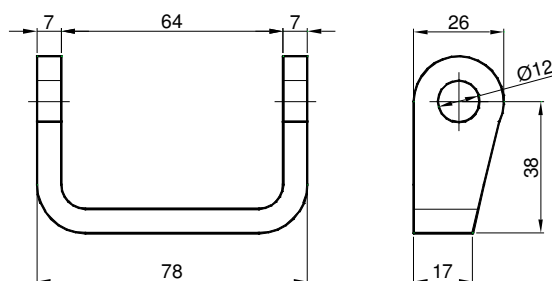
Cerniera rettangolare a 4 fori zincata
Galvanized rectangular door hinge
Penture acier zinguè
Scharnier verzinkt
Art. 80274110 - 1,020 kg



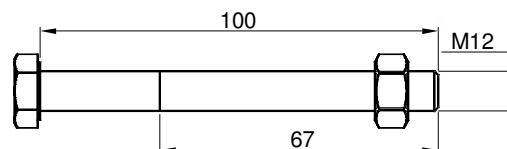
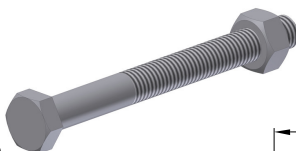
Cardine inclinato zincata
Galvanized hinge bracket
Chape zinguè
Verzinkt Scharnierbock
Art. 80289110 - 0,300 kg



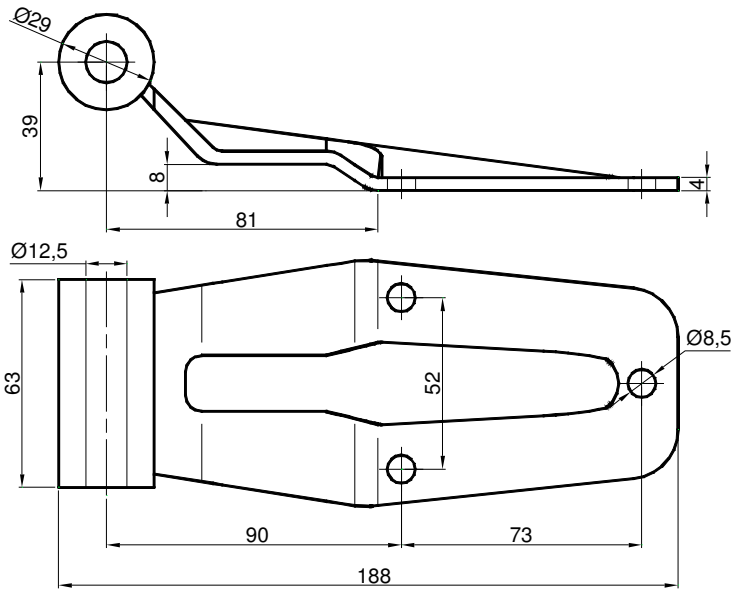
Cardine a "U"
Raw hinge bracket type "U"
Chape tipe "U" brut
Roh Scharnierbock typ "U"
Art. 80280100 - 0,160 kg
 Zincata - Galvanized - Zinguè - Verzinkt
Art. 80280110



Perno di rotazione zincato M12x100
Galvanized pin M12x100
Goujon de rotation zinguè avec ecrou M12x100
Verzinkt Scharnierbolzen komplet mit mutter M12x100
Art. 80288100 - 0,110 kg

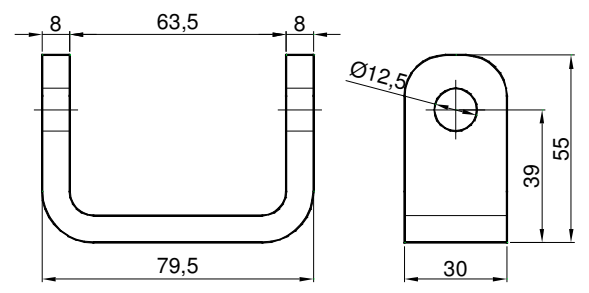
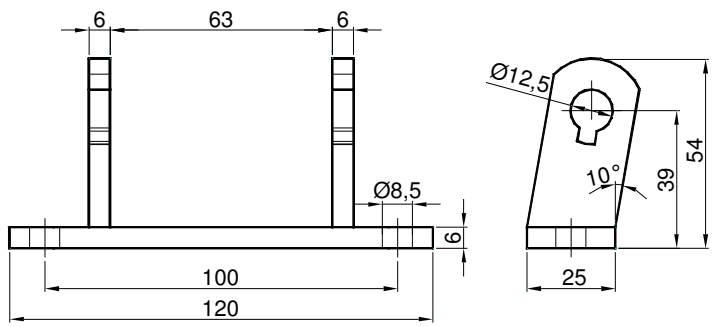
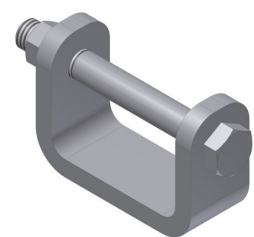
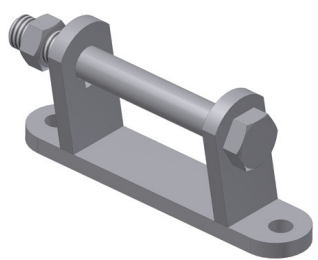


Cerniera piccola in Inox
 Stainless steel small door hinge
 Penture acier Inox
 Scharnier Nirosta
Art. 80396210 - 0,460 kg



Cardine inclinato in Inox completo di perno
 Stainless steel hinge bracket with axe and screw
 Chape Inox avec axe
 Nirosta Scharnierbock
Art. 80276500 - 0,345 kg

Cardine a "U" in Inox completo di perno
 Stainless steel "U" hinge bracket with axe and screw
 Chape "U" Inox avec axe
 Nirosta "U" Scharnierbock
Art. 80380210 - 0,200 kg



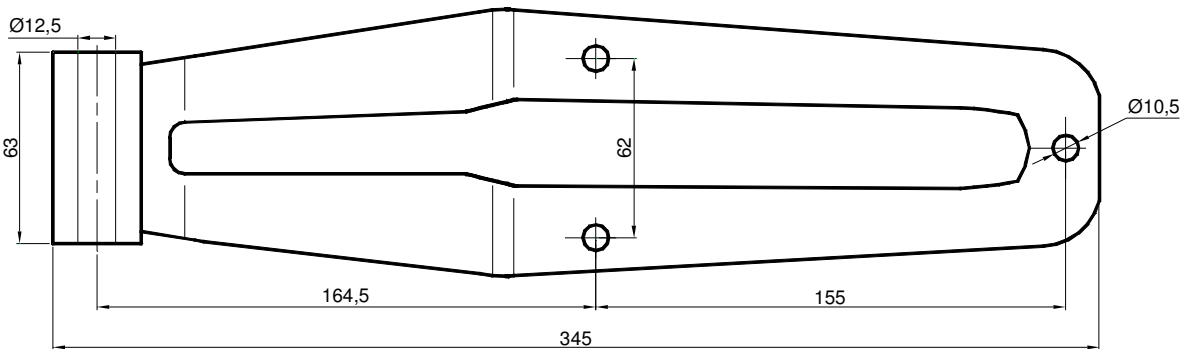
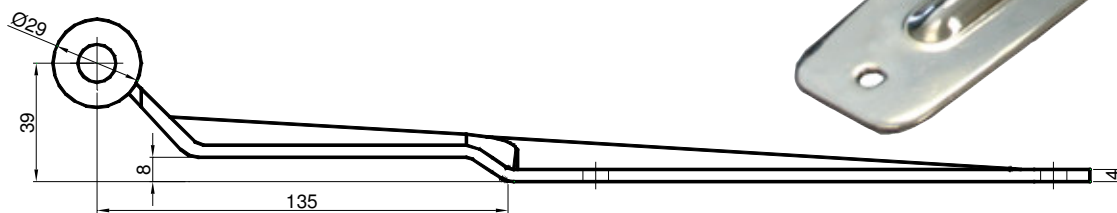
Cerniera pesante in Inox
 Stainless steel heavy door hinge

Penture acier Inox
 Scharnier Nirosta

Art. 80376210 - 0,820 kg

Zincata - Galvanized - Zinguè - Verzinkt

Art. 80376110



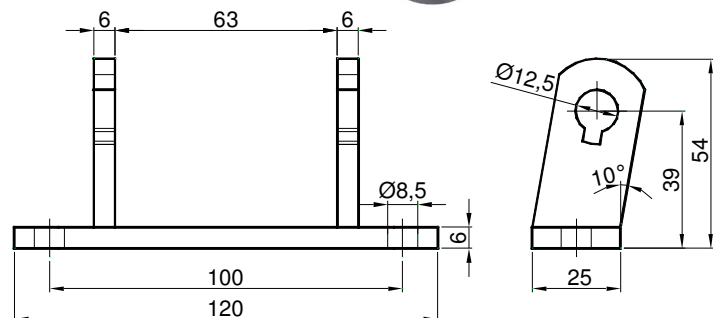
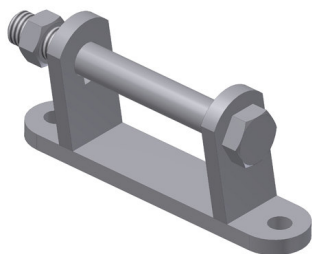
Cardine inclinato in Inox completo di perno
 Stainless steel hinge bracket with axe and screw

Chape Inox avec axe
 Nirosta Scharnierbock

Art. 80276500 - 0,345 kg

Zincata - Galvanized - Zinguè - Verzinkt

Art. 80276410



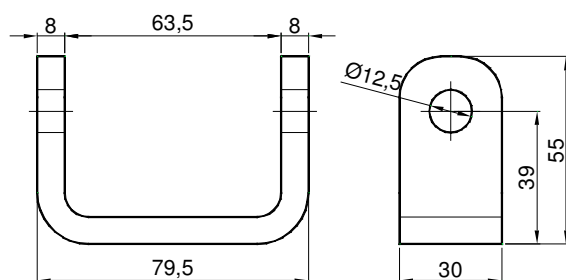
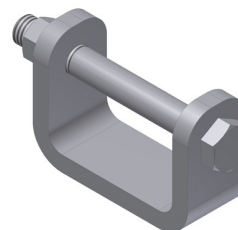
Cardine a "U" in Inox completo di perno
 Stainless steel "U" hinge bracket with axe and screw

Chape "U" Inox avec axe
 Nirosta "U" Scharnierbock

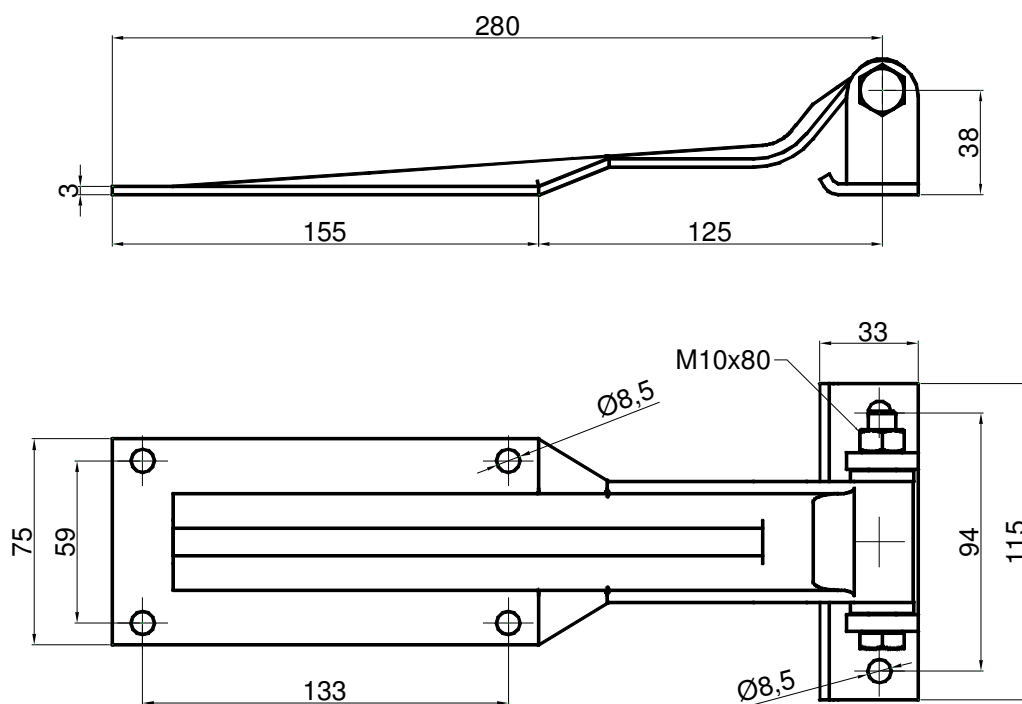
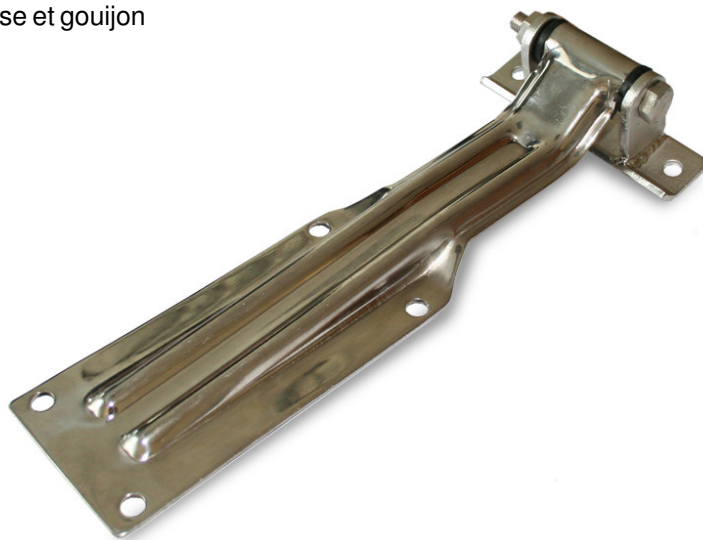
Art. 80380210 - 0,200 kg

Zincata - Galvanized - Zinguè - Verzinkt

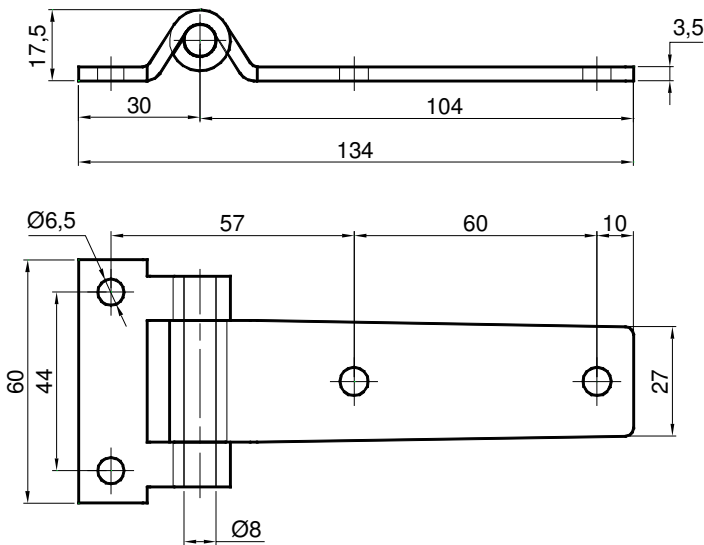
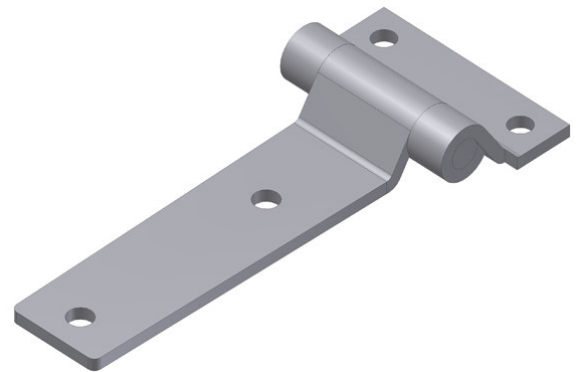
Art. 80280210



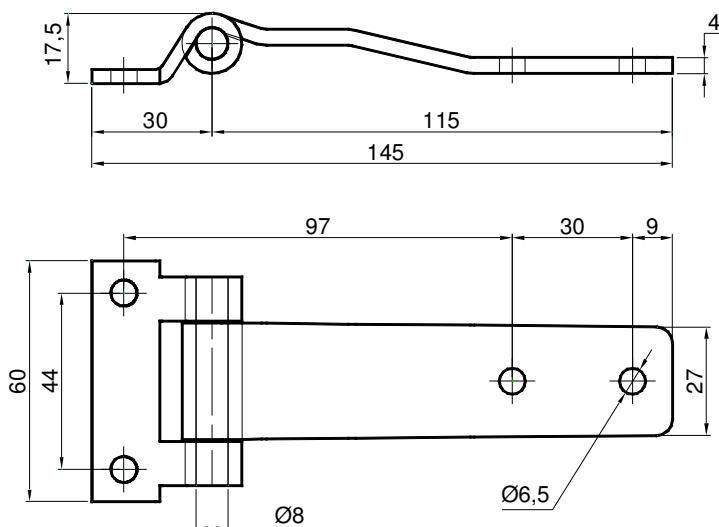
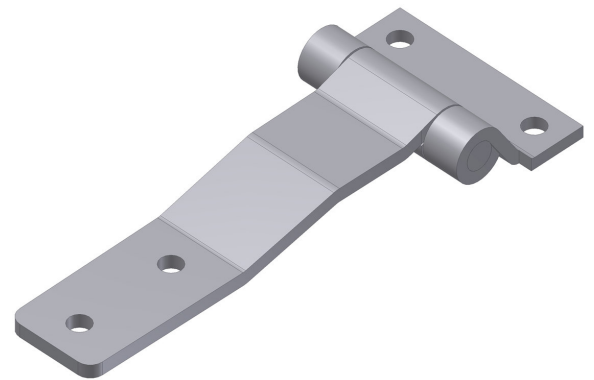
Cerniera posteriore in Inox aisi 304 composto da cardine e perno
Stainless steel rear door hinge, equipped with flat base bracket and pin
Penture Inox, portes arrières equipe avec Chape inox à base et goujion
Art. 80399210 - 0,760 kg



Cerniera piana in Inox
Stainless steel frigo van hinge
 Charnier acier Inox
Seitenturschanier Nirosta
 Bisagra plana Inox
Art. 80314100 - 0,195 kg
 Zincata - *Galvanized* - Zinguè - *Verzinkt*
Art. 80312110



Cerniera piccola salto gomma in Inox
Stainless steel small frigo van hinge
 Charnier acier Inox
Seitenturschanier Nirosta für dicht
 Bisagra plana Inox
Art. 80318100 - 0,195 kg
 Zincata - *Galvanized* - Zinguè - *Verzinkt*
Art. 80316110



Cerniera tipo "Farfalla" in Inox
Stainless steel "Butterfly" type hinge

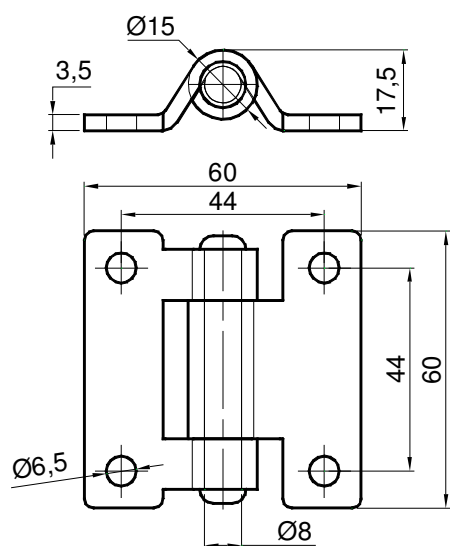
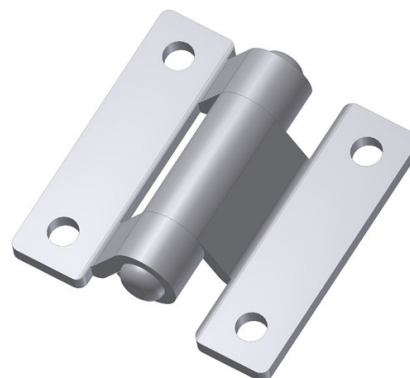
Charnier acier Inox
Seitenturschanier Nirosta

Bisagra plana Inox

Art. 80324200 - 0,140 kg

Zincata - Galvanized - Zinguè - Verzinkt

Art. 80324100



Cerniera laterale in Inox
Stainless steel frigo van hinge

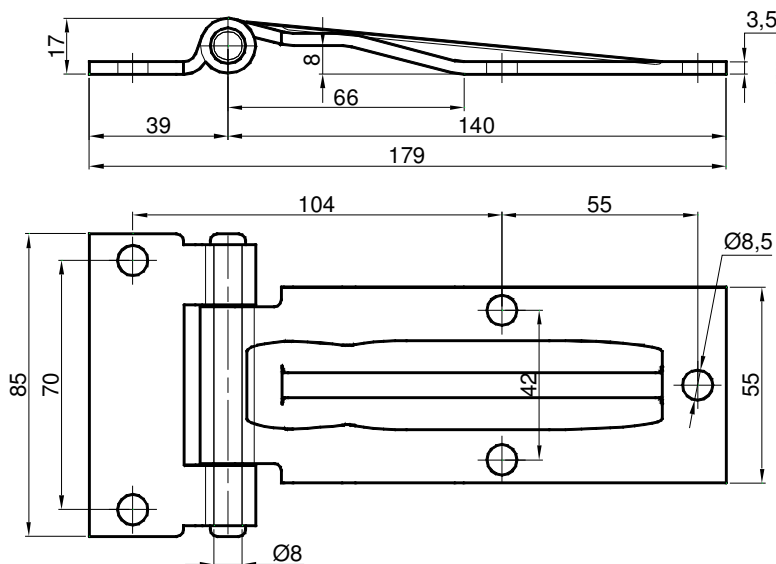
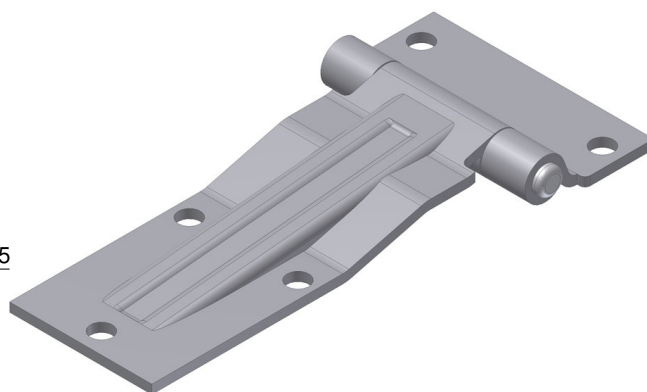
Charnier acier Inox
Seitenturschanier Nirosta

Bisagra plana Inox

Art. 80600307 - 0,375 kg

Zincata - Galvanized - Zinguè - Verzinkt

Art. 80600300



Cerniera laterale piana in Inox

Stainless steel van flat hinge

Charnière en acier Inox

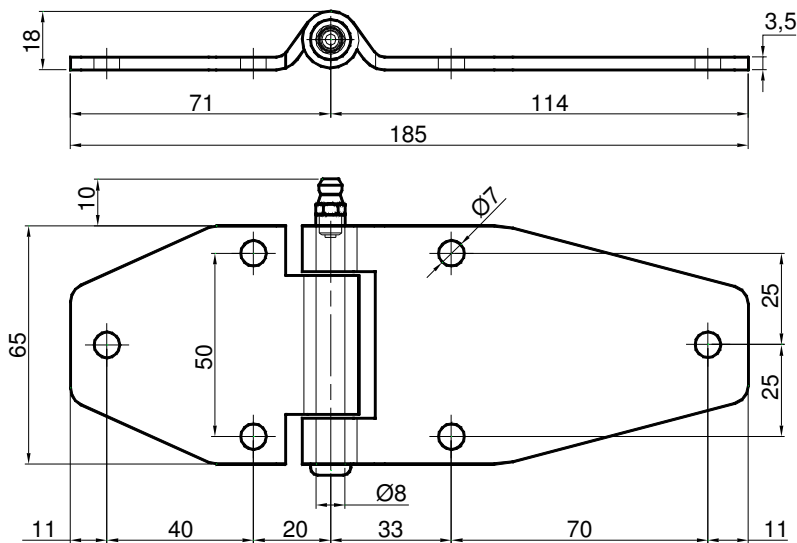
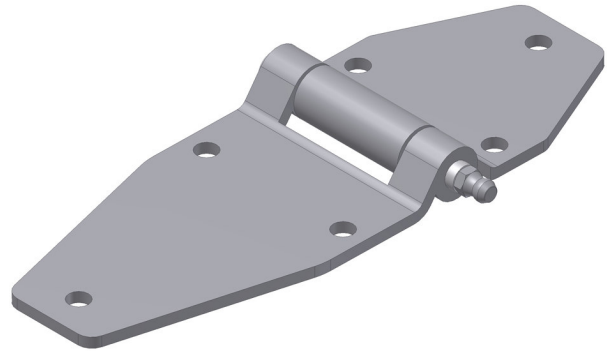
Seitenturschanier Nirosta

Bisagra plana Inox

Art. 80600287 - 0,345 kg

Zincata - *Galvanized* - Zinguè - *Verzinkt*

Art. 80600280



Cerniera laterale piana in Inox

Stainless steel van flat hinge

Charnière en acier Inox

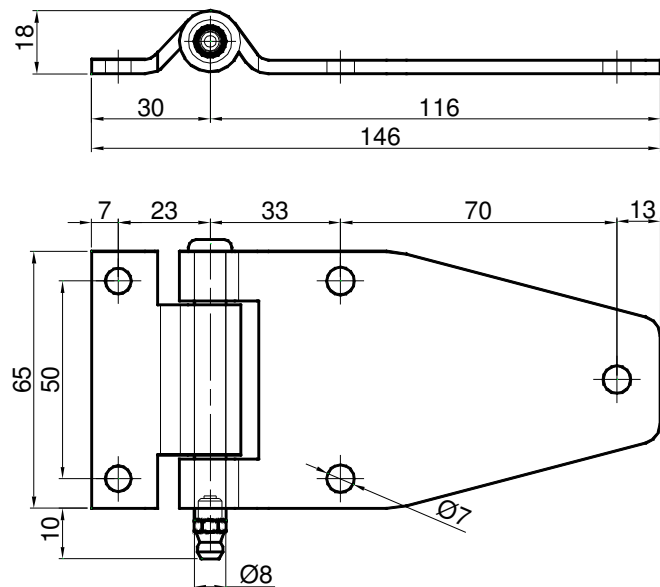
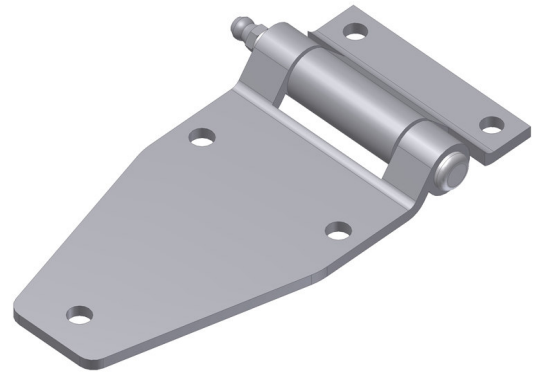
Seitenturschanier Nirosta

Bisagra plana Inox

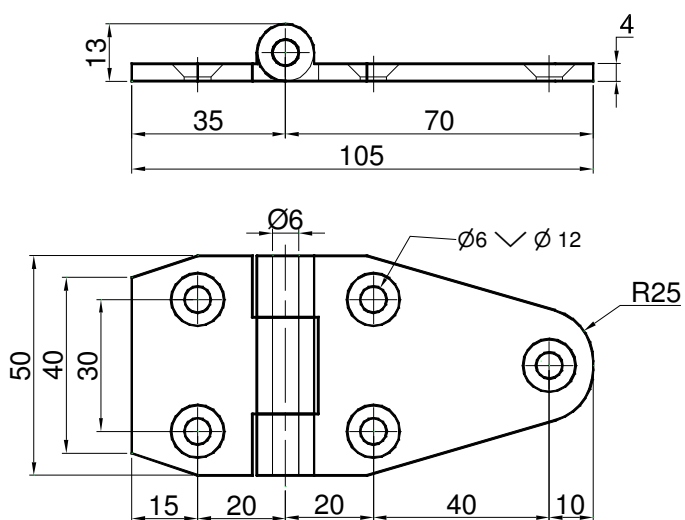
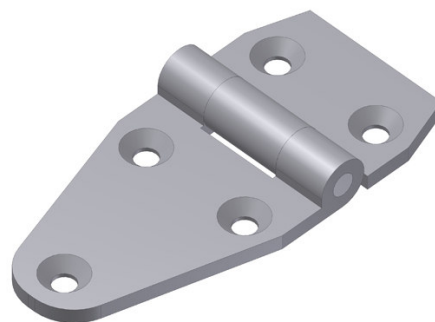
Art. 80600277 - 0,320 kg

Zincata - *Galvanized* - Zinguè - *Verzinkt*

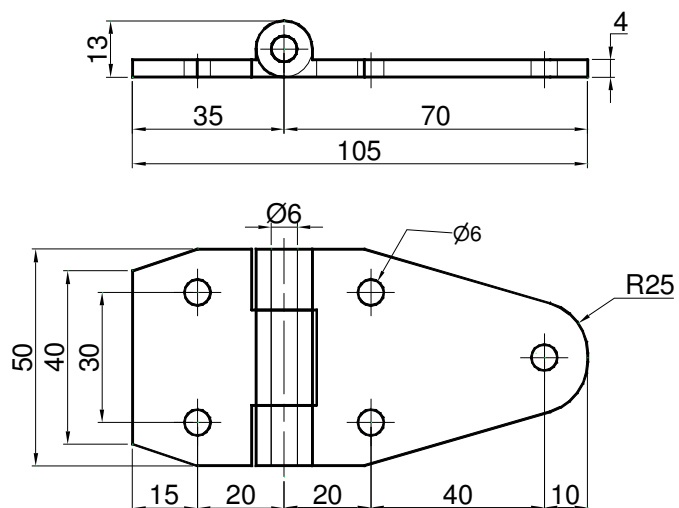
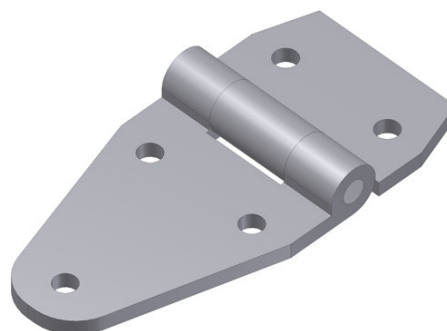
Art. 80600270



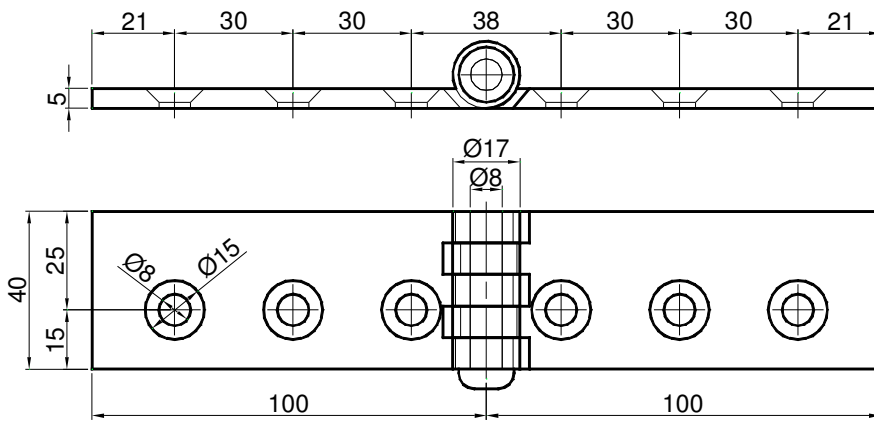
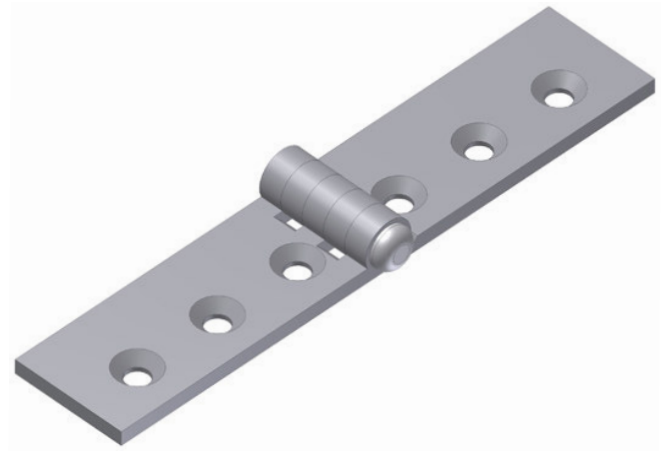
Cerniera pesante zincata con fori svasati
Galvanized piano hinge with taper holes
 Charnière en zinguè
 Seitenturschanier Verzinkt
Art. 80495110 - 0,150 kg



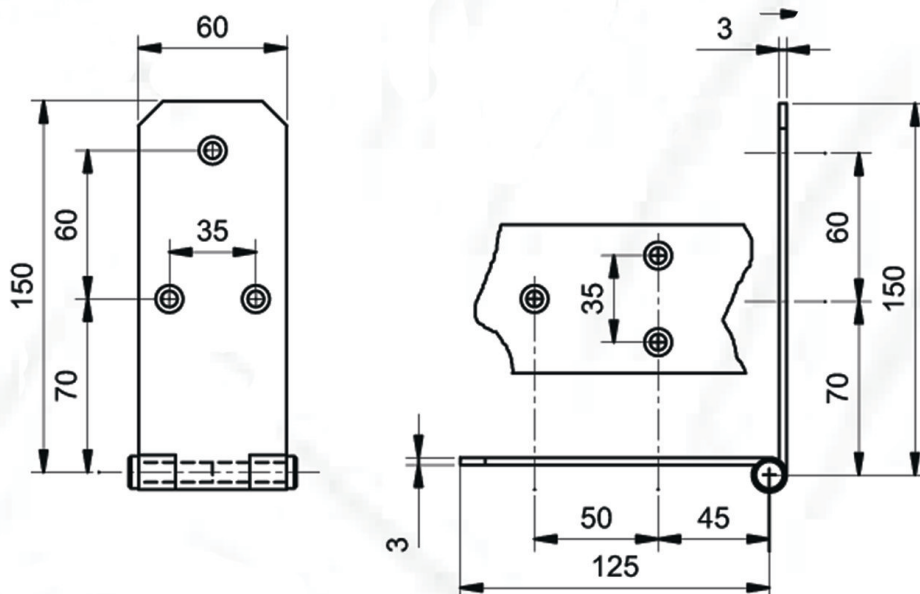
Cerniera pesante zincata
Galvanized piano hinge
 Charnière en zinguè
 Seitenturschanier Verzinkt
Art. 80495110/1 - 0,160 kg



Cerniera zincata
Galvanized hinge
 Charnière en zinguè
 Seitenturschanier Verzinkt
Art. 80499110 - 0,350 kg

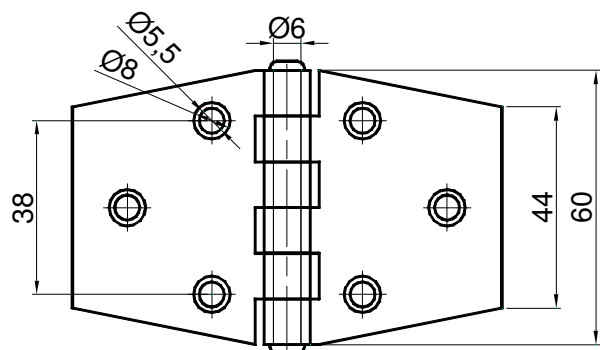
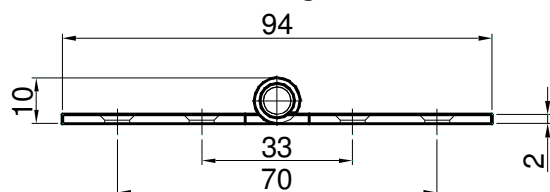
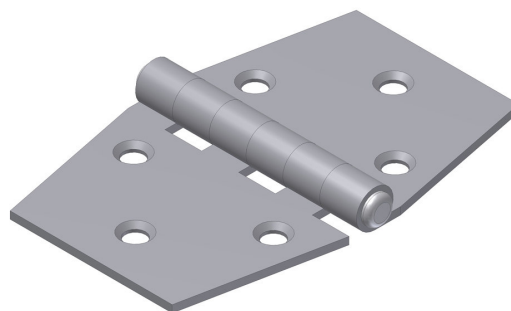


Cerniera Inox forata lucida
Inox hinge
Art. 80905031 - 0,950 kg

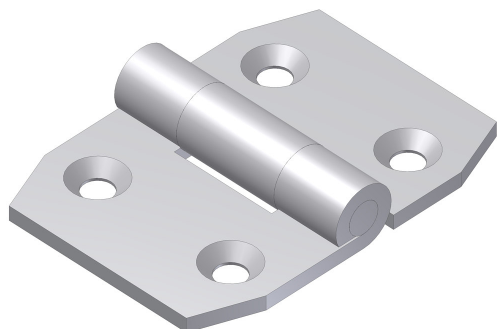
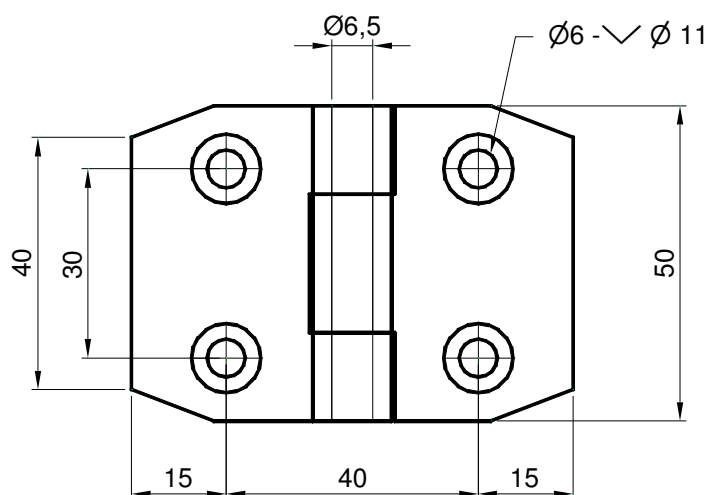
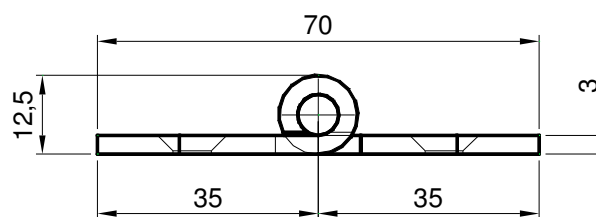


* Solo su ordinazione
 * Only by order

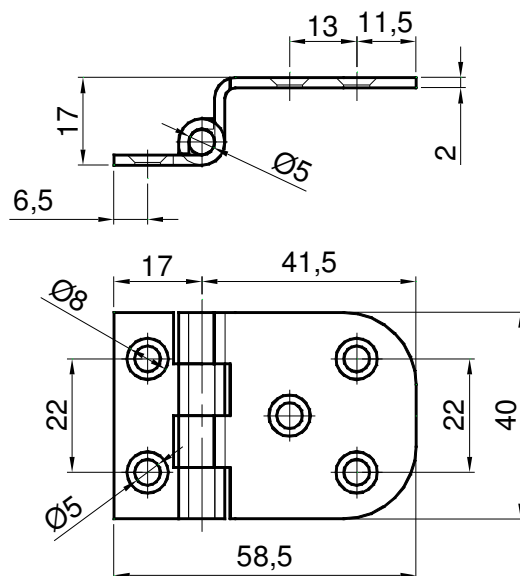
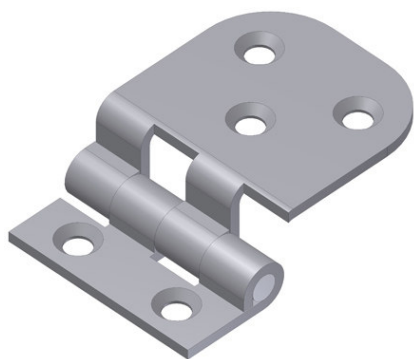
Cerniera in Inox
 Stainless steel piano hinge
 Charnier acier Inox
 Seitenturschanier Nirosta
 Bisagra plana Inox
Art. 80088800 - 0,100 kg



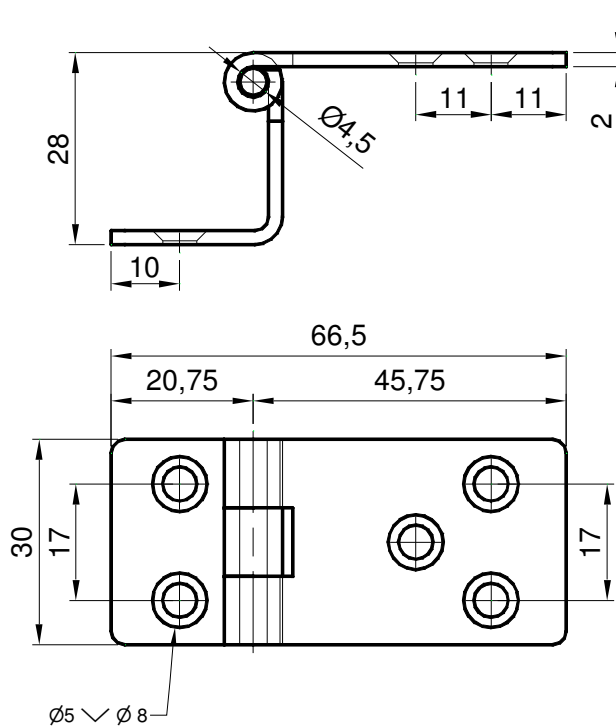
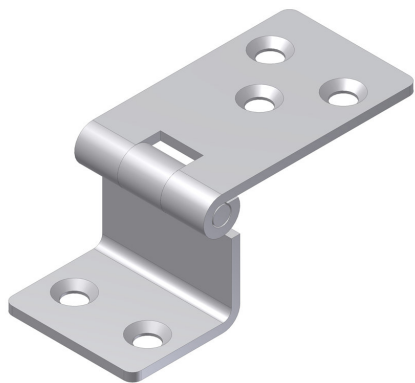
Cerniera zincata Rota
 Galvanized Rota hinge
 Charnière Rota en zinguè
 Seitenturschanier Rota Verzinkt
Art. 80325100 - 0,105 kg



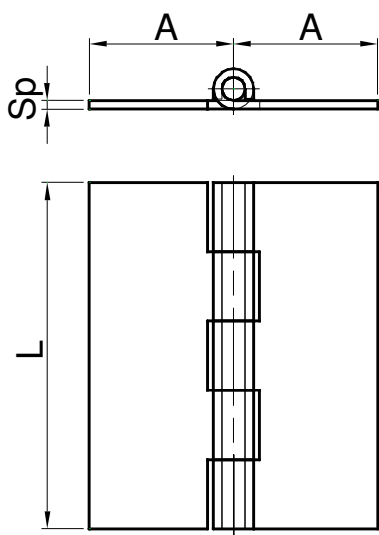
Cerniera in Inox bassa
 Stainless steel low piano hinge
 Charnier acier Inox
 Seitenturschanier Nirosta
 Bisagra plana Inox
Art. 80088703 - 0,200 kg



Cerniera in Inox alta
 Stainless steel high piano hinge
 Charnier acier Inox
 Seitenturschanier Nirosta
 Bisagra plana Inox
Art. 80088704 - 0,050 kg



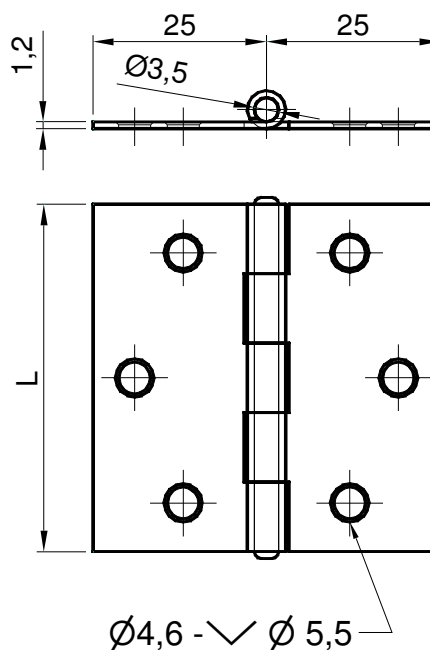
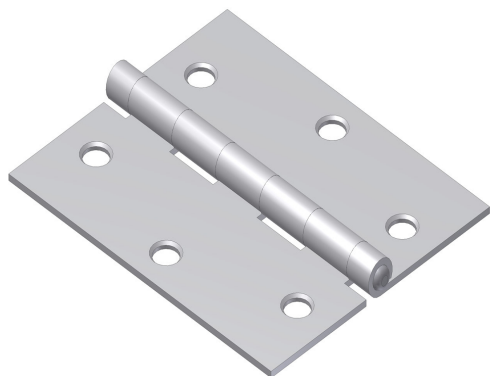
Cerniera a libro senza fori
Piano hinge without holes



Articolo Article	Trattamento Treatment	AxA	L	Sp.
80088813	Inox / Stainless steel	20x20	60	1,5
80088801	Inox / Stainless steel	25x25	60	1,5
80088802	Zincata / Galvanized	25x25	60	1,5
80088804	Zincata / Galvanized	25x25	80	1,5
80088804/1	Zincata / Galvanized	25x25	80	1
80088812	Inox / Stainless steel	25x25	80	1,5
80088810	Inox / Stainless steel	30x30	80	2

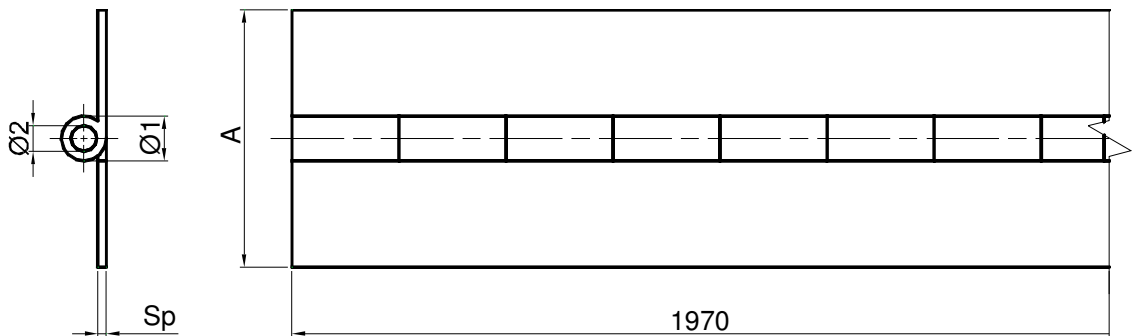
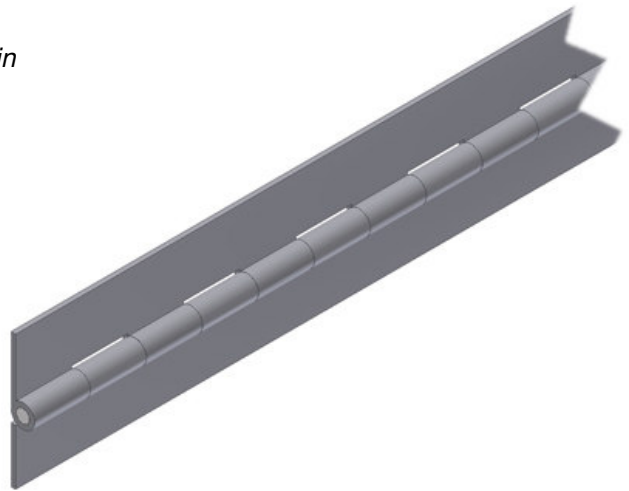
Cerniera a libro in Inox L=50 con fori
Stainless steel Piano hinge L=50 with holes
Art. 80088805 - 0,030 kg

Cerniera a libro in Inox L=60 con fori
Stainless steel Piano hinge L=60 with holes
Art. 80088806 - 0,040 kg

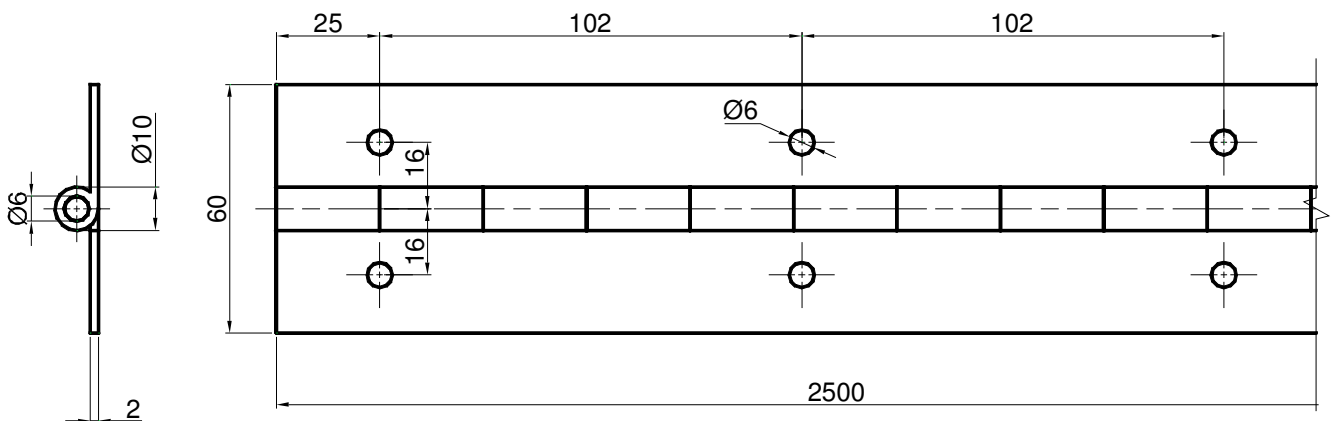
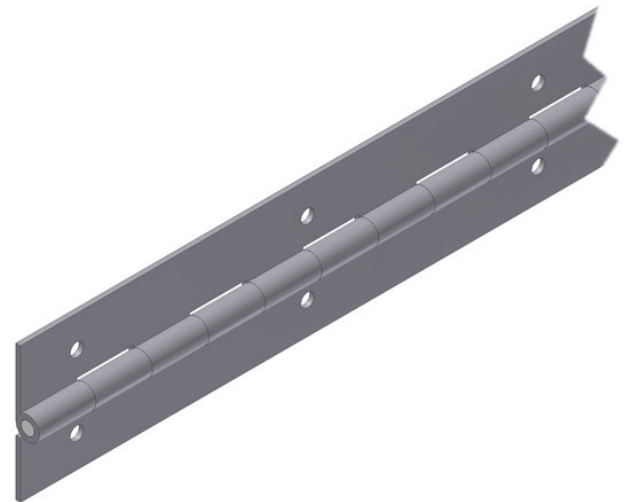


Cerniera a libro in Inox senza fori con perno in Inox
 Stainless steel piano hinge without holes with Stainless steel pin
 Charnier acier Inox avec neud en Inox
 Seitenturschanier Nirosta mit Nirosta stift
 Bisagra plana Inox con el perno en Inox

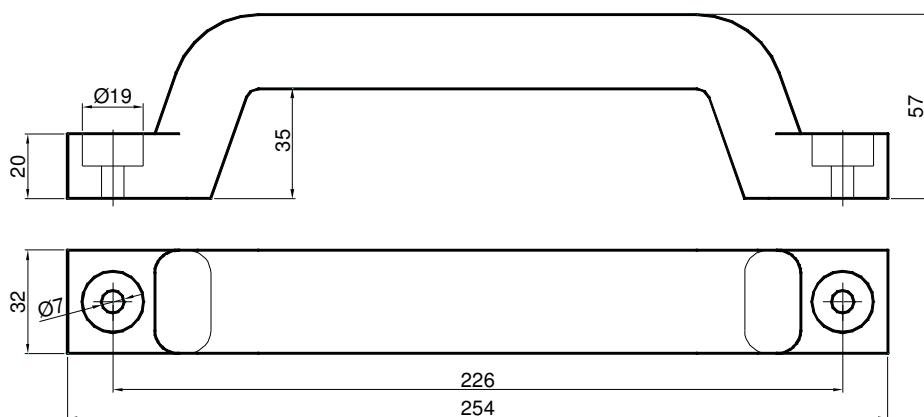
Articolo Article	A	Ø 1	Ø 2	Sp	kg
80088720	40	7,5	4	1,5	2,690
80088730	50	10	6	2	2,700
80088700	60	10	6	2	2,760



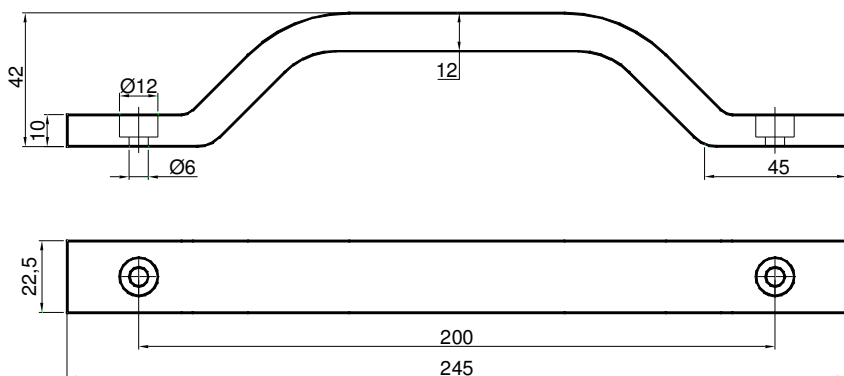
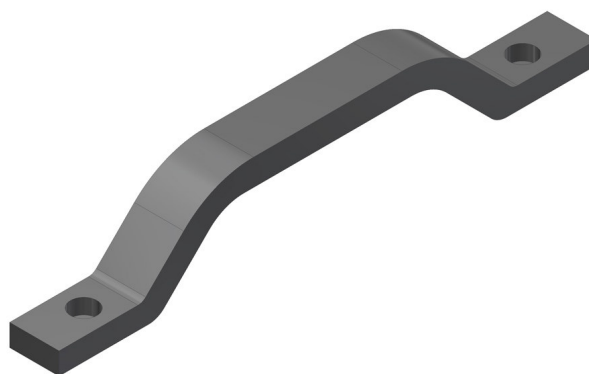
Cerniera a libro in Inox con fori e perno in Inox
 Stainless steel piano hinge with holes and Stainless steel pin
 Charnier acier Inox avec neud en Inox
 Seitenturschanier Nirosta mit Nirosta stift
 Bisagra plana Inox con el perno en Inox
Art. 80088725 - 2,900 kg



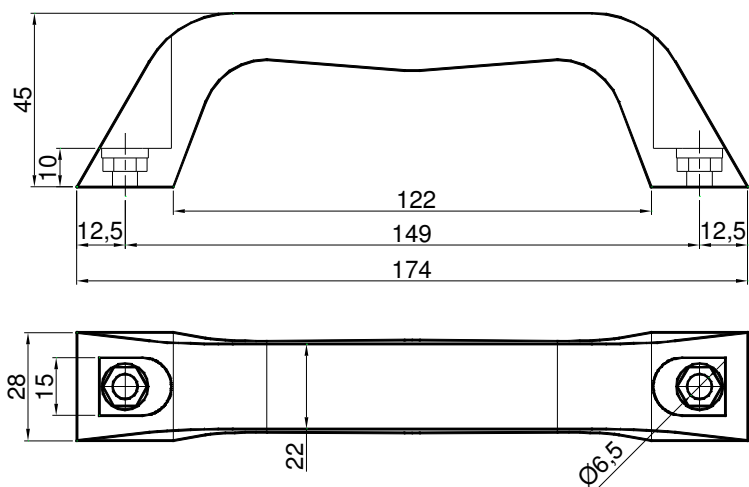
Maniglia di risalita in Poliuretano nero
Black reinforced PVC pull handle
Poignée montoir en polyurethan noir
Schwarz Polyurethan handgriffe
Art. 80901235 - 0,155 kg



Maniglia di risalita in Poliuretano nero "Panda"
Black reinforced PVC pull handle "Panda"
Poignée montoir en polyurethan noir "Panda"
Schwarz Polyurethan handgriffe "Panda"
Art. 80901200 - 0,040 kg



Maniglia in Inox lucida
Stainless steel handle
 Moignée montoir Inox poli
Haltegriff Nirosta
Art. 80901245- 0,460 kg



Maniglia apriporta con molla
Pull handle with spring
 Poigné de tirage
Einfacher Klappgriff
 Zincata - Galvanized - Zinguè - Verzinkt
Art. 80272110 - 0,135 kg
 Inox - Stainless steel - Inox - Nirosta
Art. 80272210

