

si riserva di apportare senza alcun preavviso qualsiasi modifica alle caratteristiche tecniche indicate nel presente catalogo.

reserves the right to modify the technical data mentioned into this catalogue without notice.

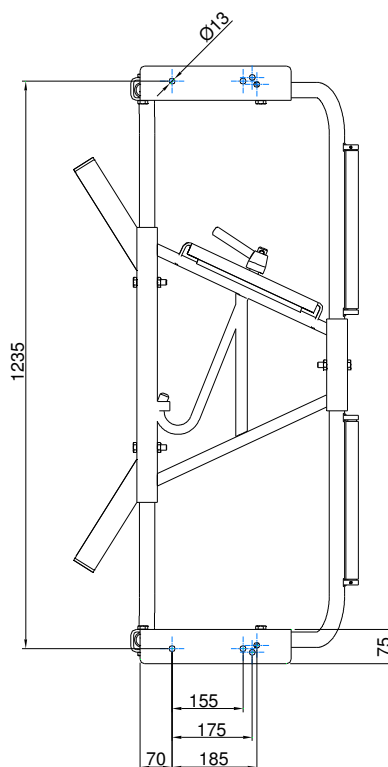
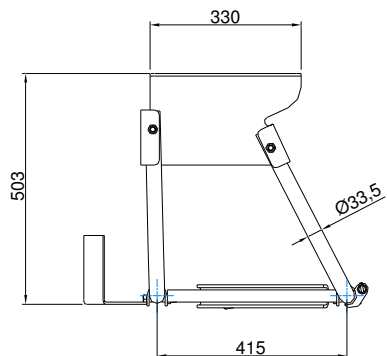


- Porta ruota
- Pedane salita / scalette
- Barre telescopiche fermacarico
- Lamiere a nido d'ape
- Barre estensibili porta abito
- Profili fermacarico
- Twist lock
- Traversa
- Blocchi ad angolo CNT

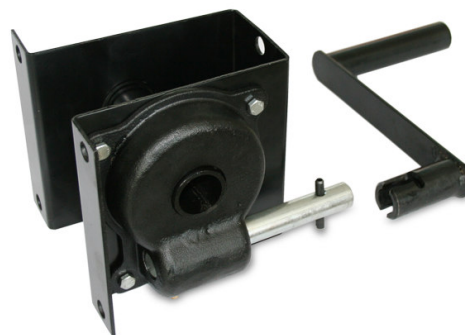
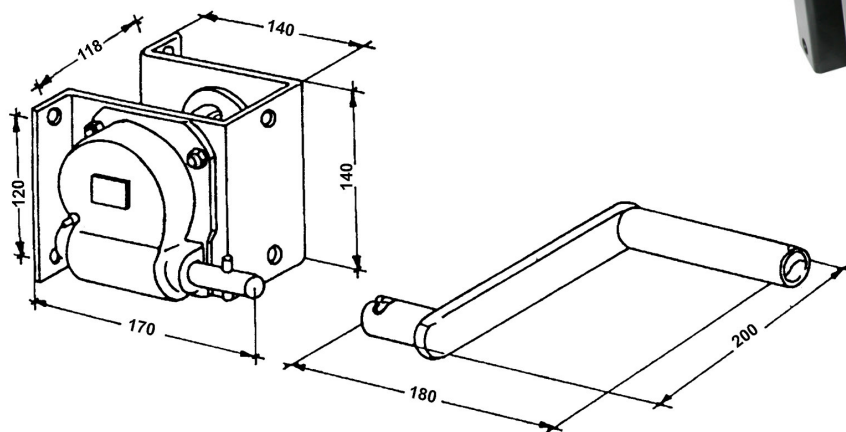
- *Side fastening wheel carrier's*
- *Folding step*
- *Telescopic lashing bars*
- *Garments sheets*
- *Garments shoring bars*
- *Universal track bars*
- *Twist lock*
- *Crosspiece*
- *Casting corner CNT*

10

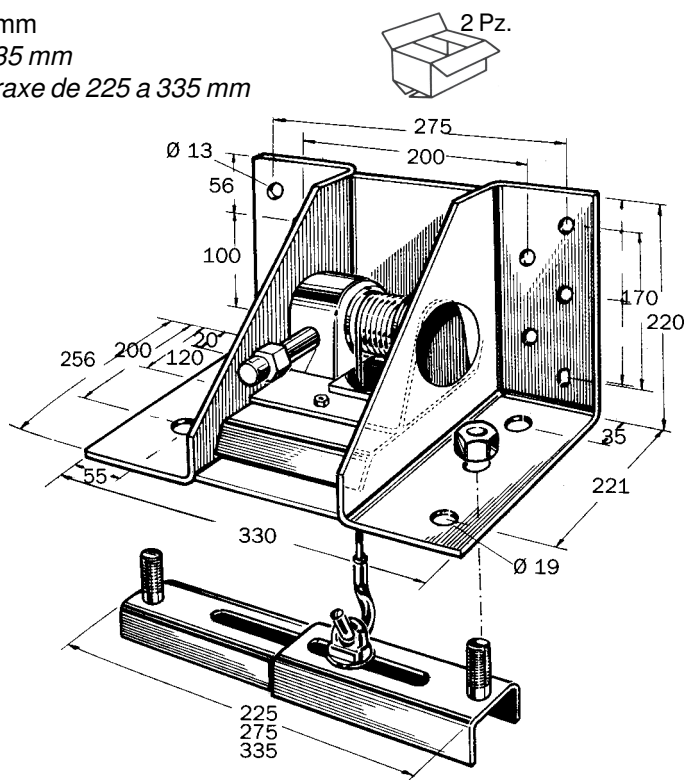
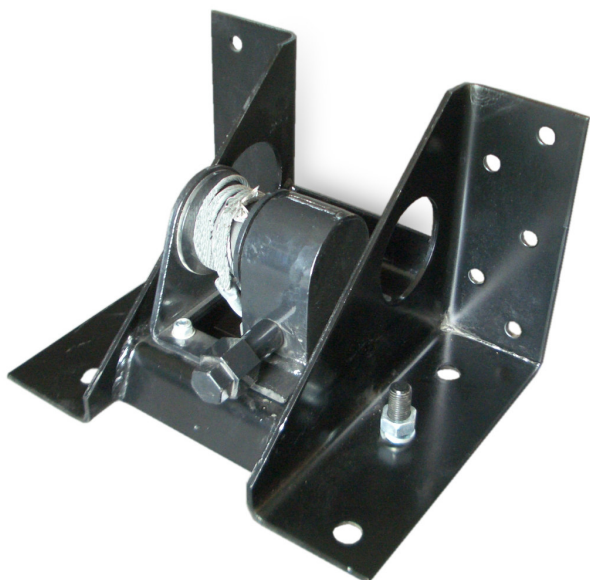
Porta ruota zincato a caldo 385/65 R22,5
 Porte roue corbeille en acier zingué chaud
 Reserveradhalter aus feuerverzinkt stahl
Art.50102900 - 30,300 kg



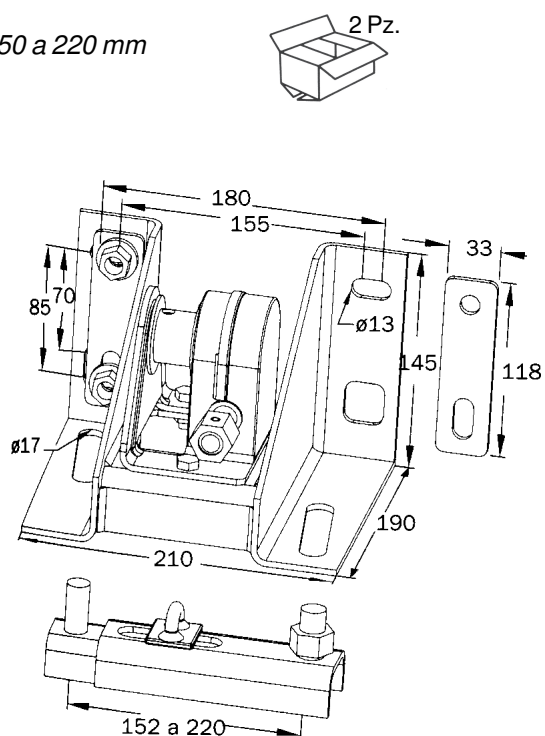
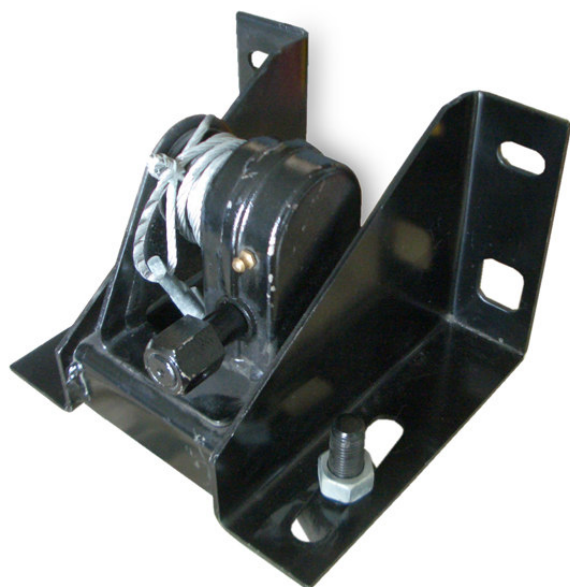
Verricello con riduttore
 Winch with reduction gear
Art. 15330232 - 4,500 kg



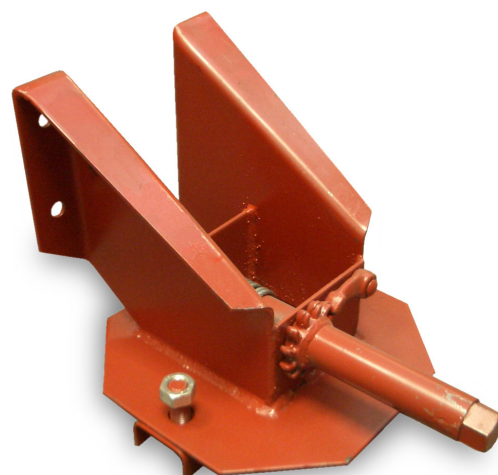
Porta ruota laterale per mozzi con interasse da 225 a 335mm
Side fastening wheel carrier with wheelbase from 225 - 335 mm
Porte-roue montage perpendiculaire pour jantes avec entraxe de 225 a 335 mm
Art.50120103 - 12,000 kg



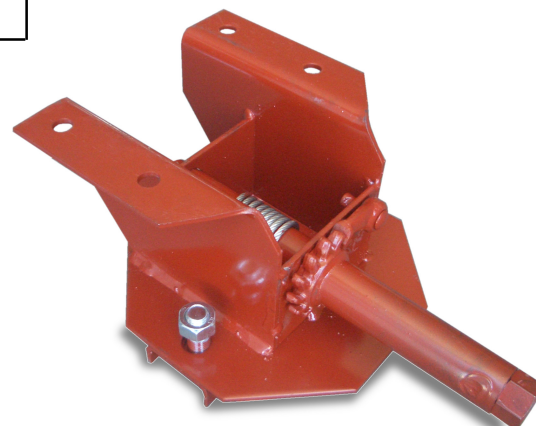
Porta ruota laterale per mozzi con interasse da 152 a 220 mm
Side fastening wheel carrier with wheelbase from 150 - 220 mm
Porte-roue montage perpendiculaire pour jantes avec entraxe de 150 a 220 mm
Art.50121104 - 6,000 kg



Portaruota laterale <i>Side fastening wheel carrier</i>				
Codice Code	Descrizione Description	Veicolo Vehicle	Interasse mm Wheelbase mm	Peso kg Weight kg
50100100	Cerchio 6 fori <i>Rim 6 holes</i>	<i>Iveco Daily Ford Transit</i>	170	6
50101100	Cerchio 6 fori <i>Rim 6 holes</i>		205	6,5
50102100	Cerchio 15" - 10 fori <i>Rim 15" - 10 holes</i>		225	13
50104100	Cerchio 8 fori <i>Rim 8 holes</i>	<i>Fiat 80-100 Mercedes</i>	275	12
50106100	Cerchio 20" - 6 fori <i>Rim 20" - 6 holes</i>	<i>Iveco Daily Ford Transit</i>	245	7,5
50110100	Cerchio 10 fori <i>Rim 10 holes</i>	<i>Fiat 190 Mercedes Scania</i>	335	14
50112100	Cerchio 20" Trilex <i>Rim 20" Trilex</i>			15

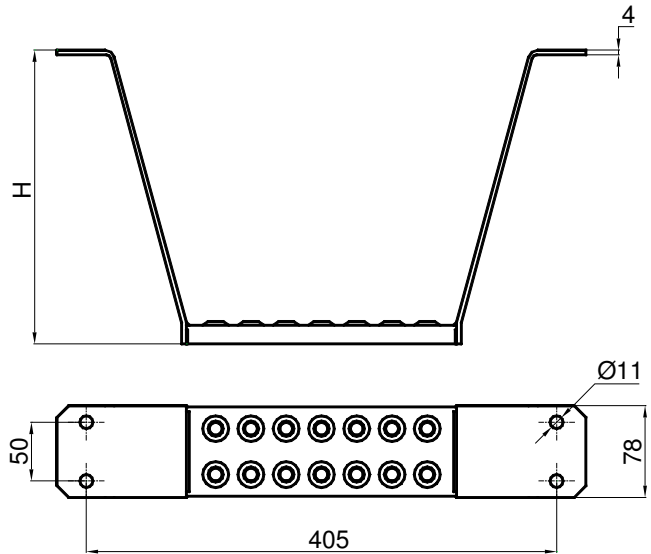


Portaruota sottotelaio <i>Under chassis fastening wheel carrier</i>				
Codice Code	Descrizione Description	Veicolo Vehicle	Interasse mm Wheelbase mm	Peso kg Weight kg
50107100	Cerchio 15" - 10 fori <i>Rim 15" - 10 holes</i>	<i>Fiat 8-100 Mercedes</i>	275	13
50111100	Cerchio 20" - 10 fori <i>Rim 20" - 10 holes</i>	<i>Fiat 190 Scania</i>	335	14
50116100	Cerchio 20" - 6 fori <i>Rim 20" - 6 holes</i>	<i>Iveco Daily Ford Transit</i>	170	6



Gradino Zincato a caldo
Hot Galvanized Step
 Marchepied antiderapant Zinguè a chaud
Klaptritt Feuer Verzinkt
 Peldaño abatible Cincado

Articolo Code	H	Peso Weight
50185110	250	1,7 kg
50186110	350	2,35 kg



Gradino
Step
 Marchepied antiderapant
Klaptritt
 Peldaño abatible
 Zincato - *Galvanized* - Zinguè - *Verzinkt* - Cincado

Art.50195110

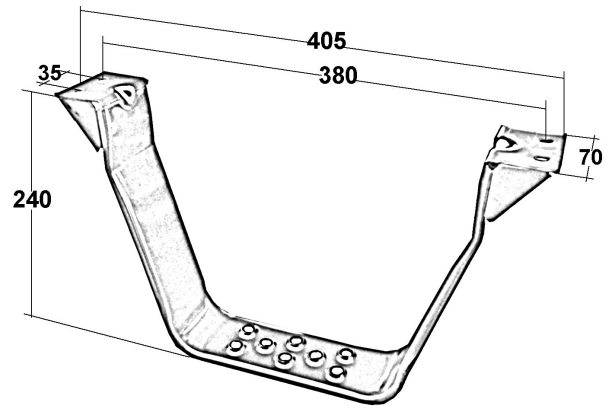
Zincato a caldo - *Hot Galvanized* - Zinguè a chaud - *feuer Verzinkt*

Art.50195200

Inox - *Stainless steel* - Nirosta

Art.50195300

1,250 kg



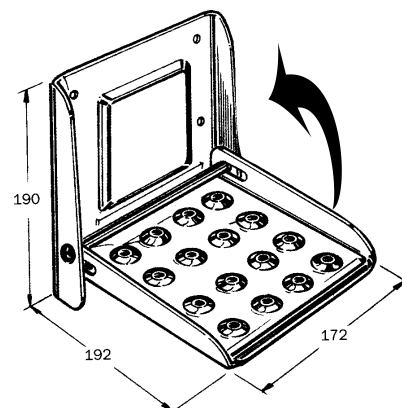
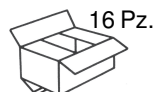
Pedana salita
Folding step
 Marchepied antiderapant
Klaptritt
 Peldaño abatible
 Zincata - *Galvanized* - Zinguè - *Verzinkt* - Cincado

Art.50170110

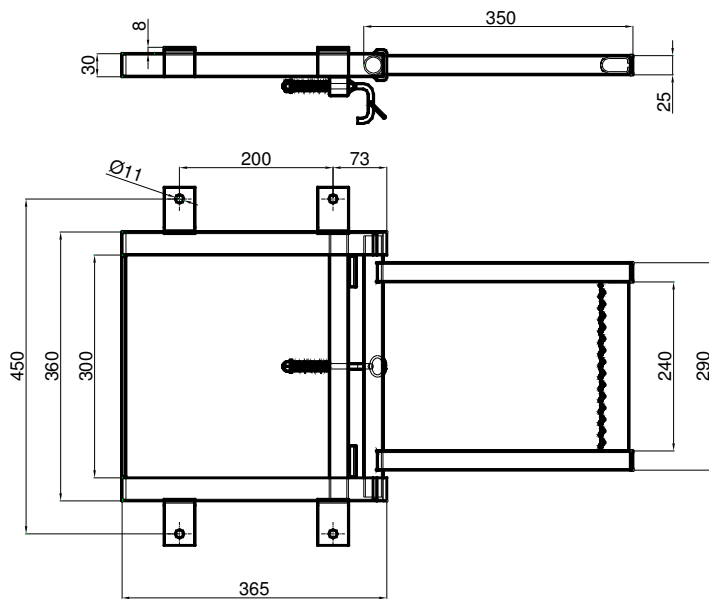
Inox - *Stainless steel* - Nirosta

Art.50170200

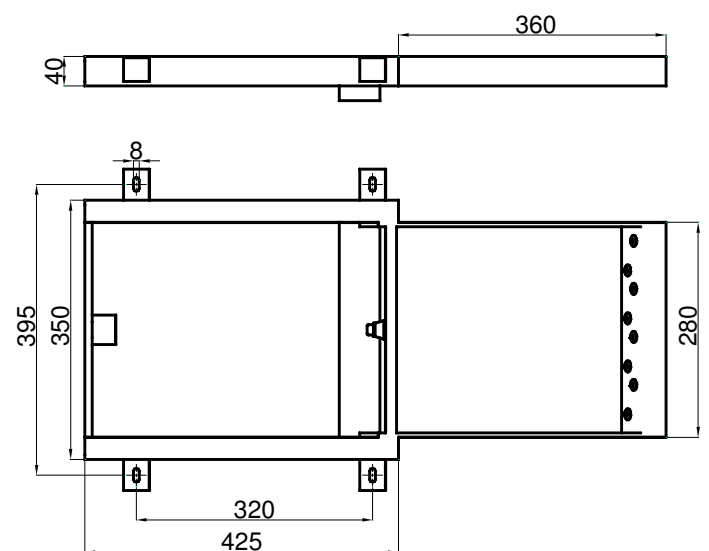
1,200 kg



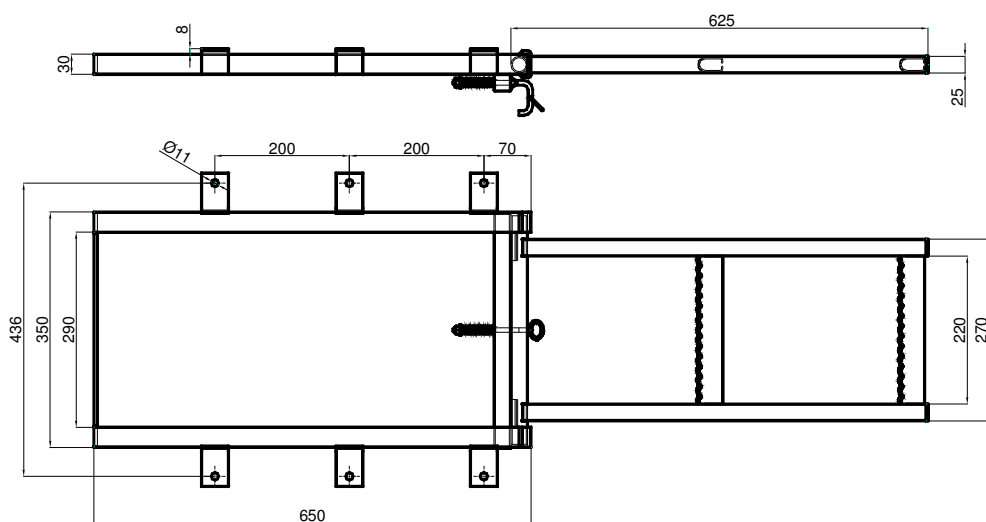
Scaletta estraibile leggera zincata a 1 gradino
Light folding step galvanized 1 step
 Marchepied antiderapant zinguè 1 marchè
Ausiehbare treppen verzinkt
Art.50298820 - 3,600 kg



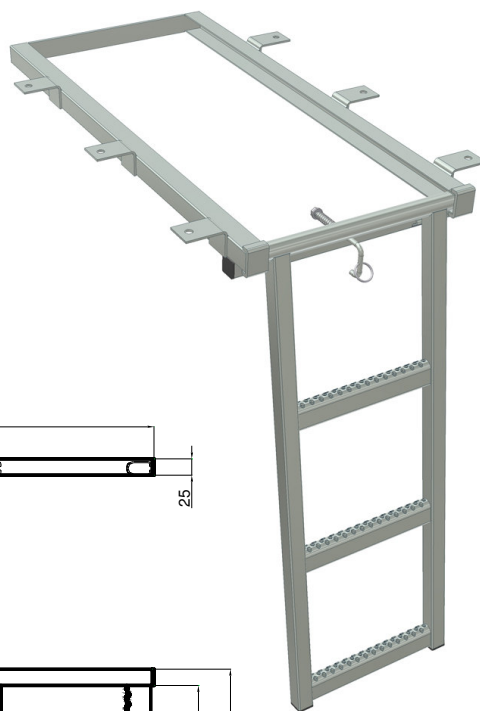
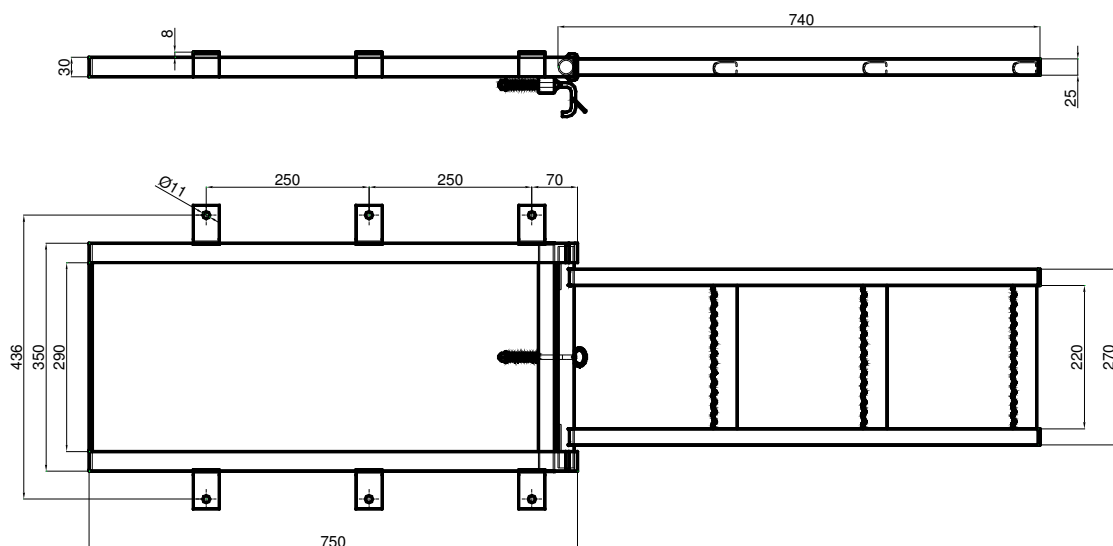
Scaletta estraibile pesante inox 1 gradino
Heavy stainless steel Folding extractable 1 step
 Marchepied antiderapant inox 1 marchè
Ausiehbare treppen nirosta 1 stufig nirosta
Art.50398420 - 5,100 kg



Scaletta estraibile leggera zincata a 2 gradini
Galvanized light folding step with 2 steps
 Marchepied antiderapant zinguè 2 marchè
Ausiehbare treppen verzinkt 2 stufig
Art.50292210 - 4,600 kg



Scaletta estraibile leggera zincata a 3 gradini
Galvanized light folding step with 3 steps
 Marchepied antiderapant zinguè 3 marchè
Ausiehbare treppen verzinkt 3 stufig
Art.50298310 - 5,100 kg



Scaletta estraibile pesante a 2 gradini

Heavy folding step with 2 steps

Marchepied antiderapant 2 marchè

Ausiehbare treppen 2 stufig

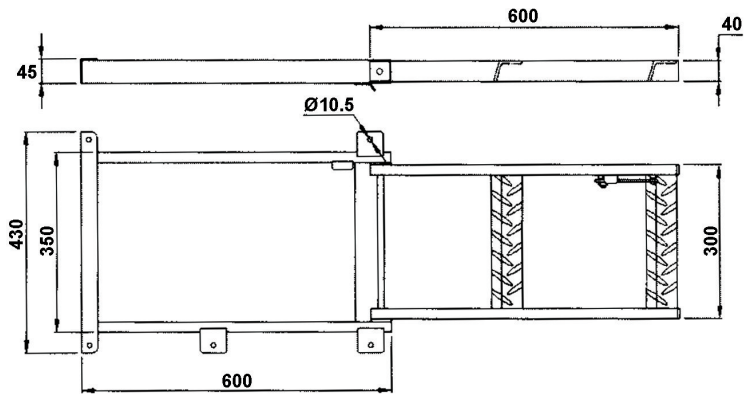
Zincato a caldo - *Hot Galvanized* - Zinguè a chaud - *feuer Verzinkt*

Art.50399665

Inox - *Stainless steel* - Nirosta

Art.50398320

6,800 kg



Scaletta estraibile pesante a 3 gradini

Heavy folding step with 3 steps

Marchepied antiderapant 3 marchè

Ausiehbare treppen 3 stufig

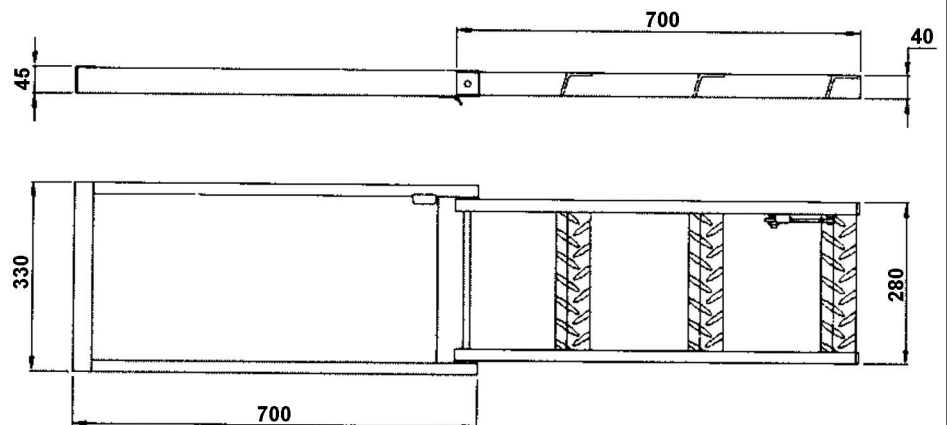
Zincato a caldo - *Hot Galvanized* - Zinguè a chaud - *feuer Verzinkt*

Art.50400665

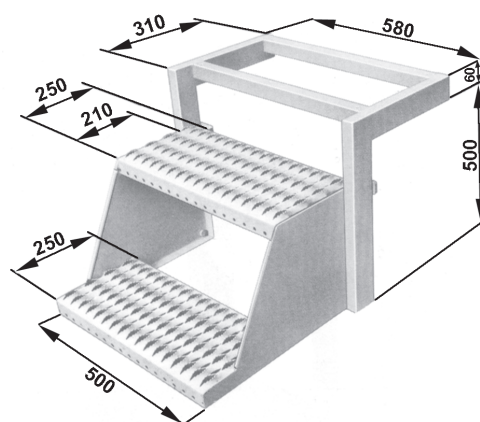
Inox - *Stainless steel* - Nirosta

Art.50399320

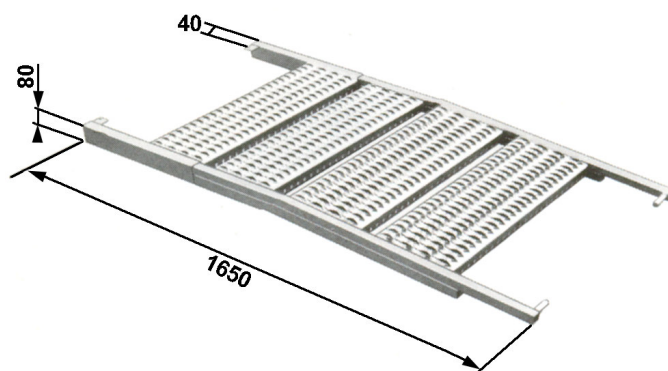
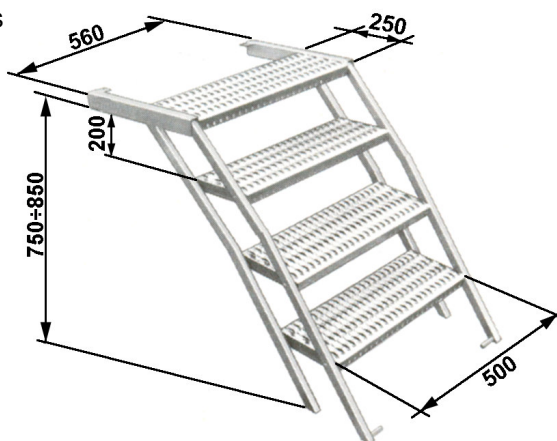
7,200 kg



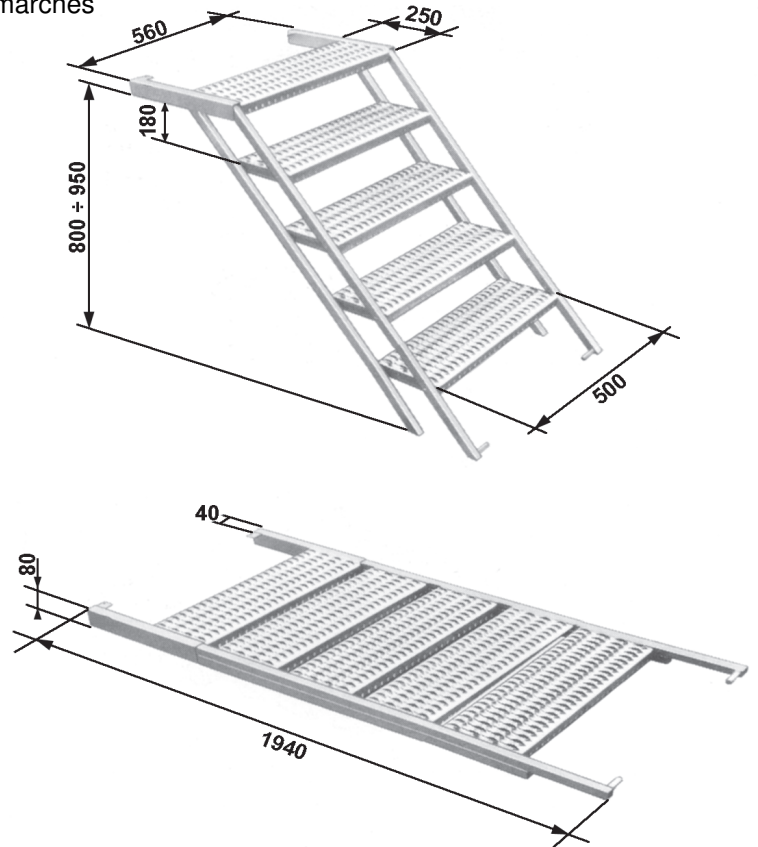
Scaletta estraibile ribaltabile 2 gradini zincata a caldo
Folding extractable overturning 2 steps hot Galvanized
 Marchepied antiderapant rebattable zinguè a chaud 2 marchès
Ausiehbare treppen sthal feuer verzinkt 2 stufig
Art.50165110 - 19,000 kg



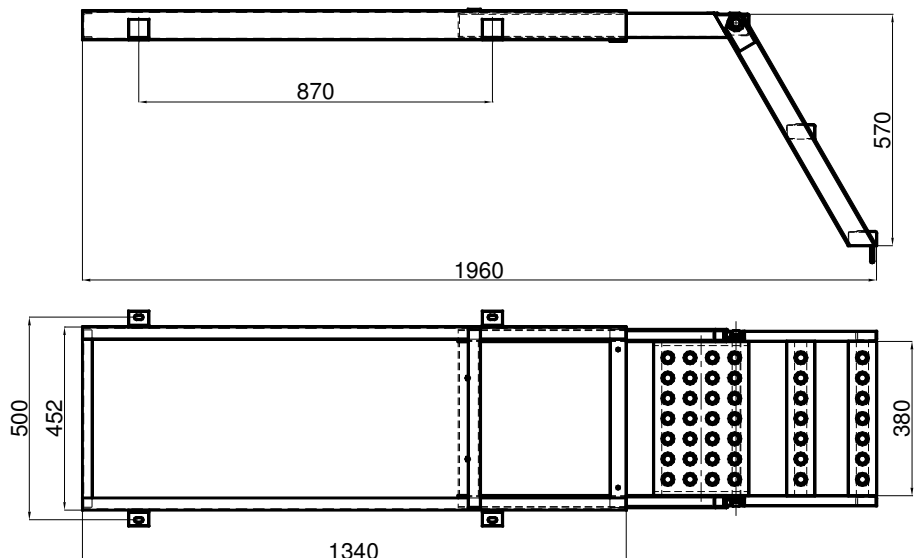
Scaletta estraibile ribaltabile 4 gradini zincata a caldo
Folding extractable overturning 4 steps hot Galvanized
 Marchepied antiderapant rebattable zinguè a chaud 4 marchès
Ausiehbare treppen sthal feuer verzinkt 4 stufig
Art.50429270 - 36,000 kg



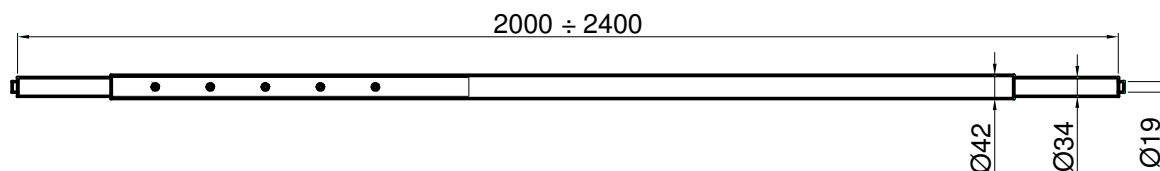
Scaletta estraibile ribaltabile 5 gradini zincata a caldo
Folding extractable overturning 5 steps hot Galvanized
 Marchepied antiderapant rebattable zinguè a chaud 5 marchès
Ausiehbare treppen sthal feuer verzinkt 5 stufig
Art.50439270 - 42,000 kg



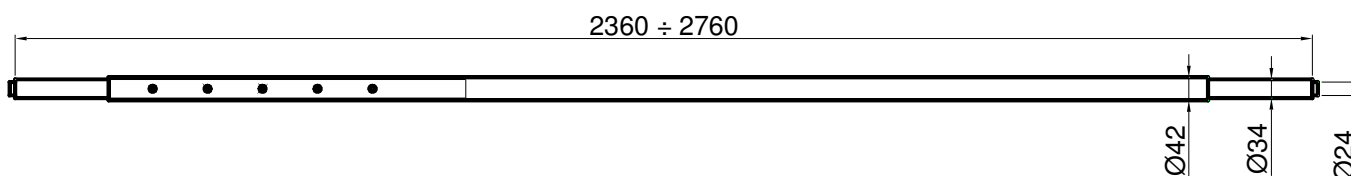
Scaletta estraibile ribaltabile 3 gradini zincata a caldo
Folding extractable overturning 3 steps hot Galvanized
 Marchepied antiderapant rebattable zinguè a chaud 3 marchès
Ausiehbare treppen sthal feuer verzinkt 3 stufig
Art. 50430270 - 13,000 kg



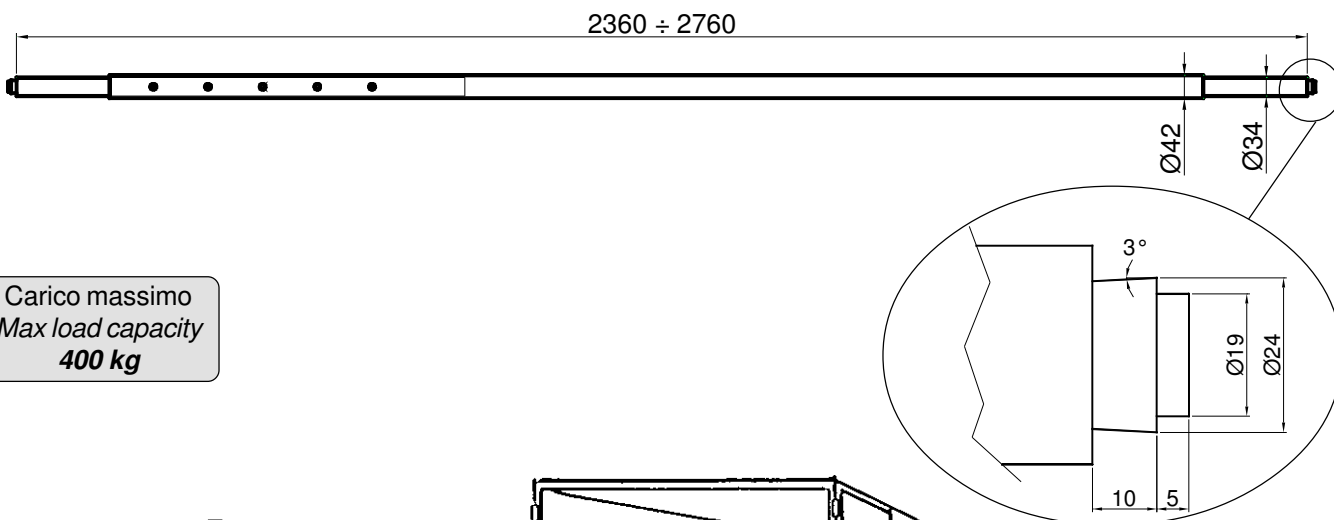
Barra telescopica zincata registrabile da 2,00 a 2,40 Mtr. Ø19
Galvanized round shoring bar range adjust. 2,00 to 2,40 Mtr. end cap Ø19
 Barre teresc. zinguè règlable long. 2,00 a 2,40 Mtr. avec tètòn Ø19
 Round sperrbalken verz. verstellänge 2,00 bis 2,40 Mtr. Mit zapfen Ø19
Art.50071033 - 8,000 kg



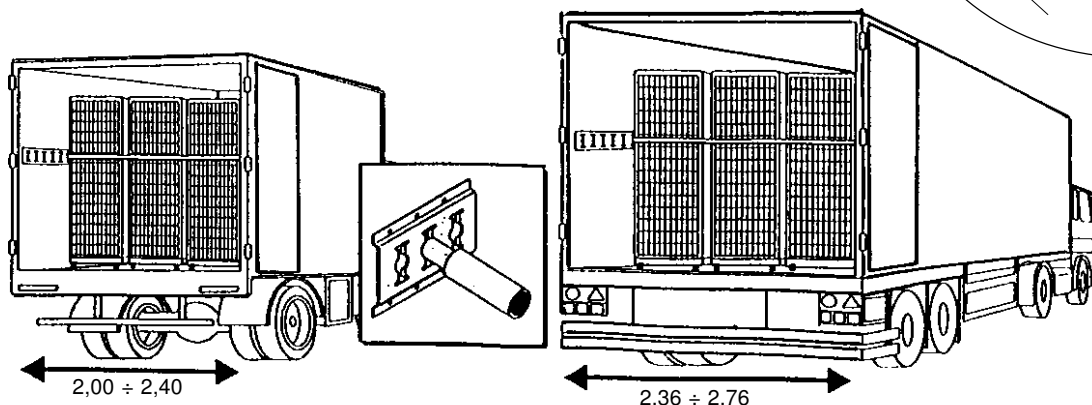
Barra telescopica zincata registrabile da 2,36 a 2,76 Mtr. Ø24
Galvanized round shoring bar range adjust. 2,36 to 2,76 Mtr. end cap Ø24
 Barre teresc. zinguè règlable long. 2,36 a 2,76 Mtr. avec tètòn Ø24
 Round sperrbalken verz. verstellänge 2,36 bis 2,76 Mtr. Mit zapfen Ø24
Art.50071032 - 9,000 kg



Barra telescopica zincata registrabile da 2,36 a 2,76 Mtr. Ø19/24
Galvanized round shoring bar range adjust. 2,36 to 2,76 Mtr. end cap Ø19/24
 Barre teresc. zinguè règlable long. 2,36 a 2,76 Mtr. avec tètòn Ø19/24
 Round sperrbalken verz. verstellänge 2,36 bis 2,76 Mtr. Mit zapfen Ø19/24
Art.50071031 - 9,000 kg



Carico massimo
 Max load capacity
400 kg



Ferma carico verticale in alluminio Equipaggiate con molle pretensionate
Aluminium vertical shoring bar Equiped with a spring
 Barre telescopique verticale en aluminium Equipées avec ressort prècontrains
Aluminium vertikal klemmbalken Einem vorspannten federpaket eusgerüstet

Ø38

Regolabile da 2,35 a 2,72 Mtr.
Lenght range 2,35 to 2,72 Mtr.
 Longueur de 2,35 a 2,72 Mtr.
 Verstellbereich 2,35 a 2,72 Mtr.

Art.50071081 - 5,600 kg

Ø42

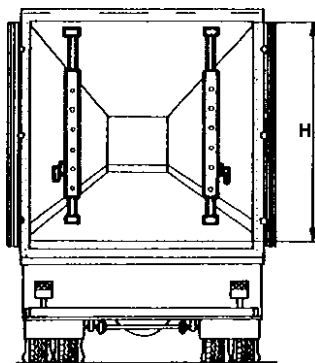
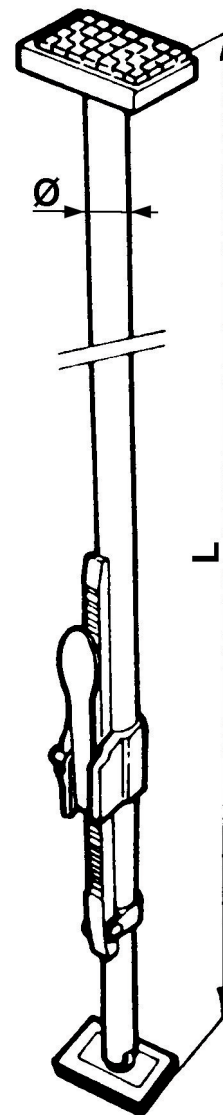
Regolabile da 2,10 a 2,47 Mtr.
Lenght range 2,10 to 2,47 Mtr.
 Longueur de 2,10 a 2,47 Mtr.
 Verstellbereich 2,10 a 2,47 Mtr.

Art.50071084 - 5,800 kg

Ø42

Regolabile da 2,35 a 2,72 Mtr.
Lenght range 2,35 to 2,72 Mtr.
 Longueur de 2,35 a 2,72 Mtr.
 Verstellbereich 2,35 a 2,72 Mtr.

Art.50071083 - 6,000 kg



Carico massimo
 Max load capacity
170 kg

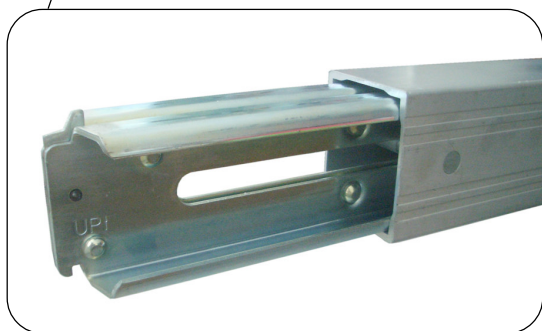
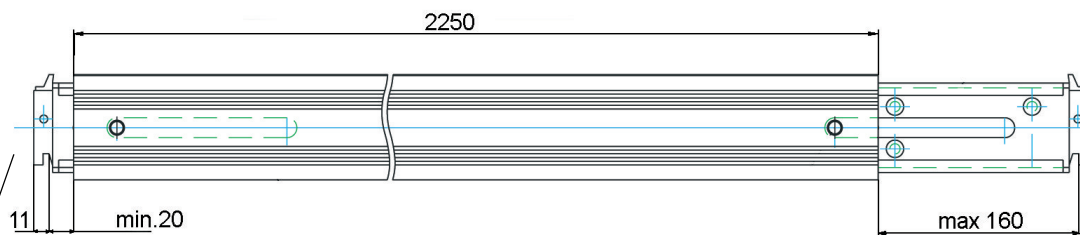
Ferma carico verticale in alluminio equipaggiate senza molle pretensionate
Aluminium vertical shoring bar equiped without a spring
 Barre telescopique verticale en aluminium il ne sont pas equipées avec ressort prècontrains
Aluminium vertikal klemmbalken es ist nicht mit einem vorspannten federpaket eusgerüstet

Ø38

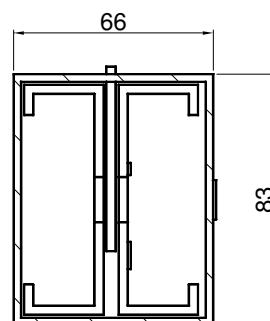
Regolabile da 2,35 a 2,72 Mtr.
Lenght range 2,35 to 2,72 Mtr.
 Longueur de 2,35 a 2,72 Mtr.
 Verstellbereich 2,35 a 2,72 Mtr.

Art.50071082 - 5,500 kg

Barra portante in alluminio regolabile da 2290 a 2570 mm
Aluminum decking beam range adjustable 2290 to 2570 mm
 Barre en aluminium réglable longueur de 2290 a 2570 mm
 Ladebalken aus aluminium verstellbereich 2290 a 2570 mm
Art.50071055 - 9,700 kg

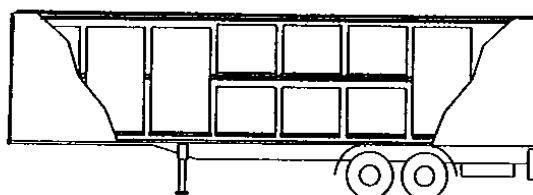
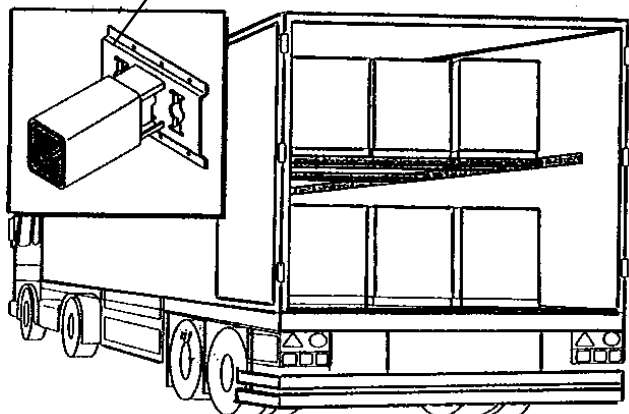


A-A

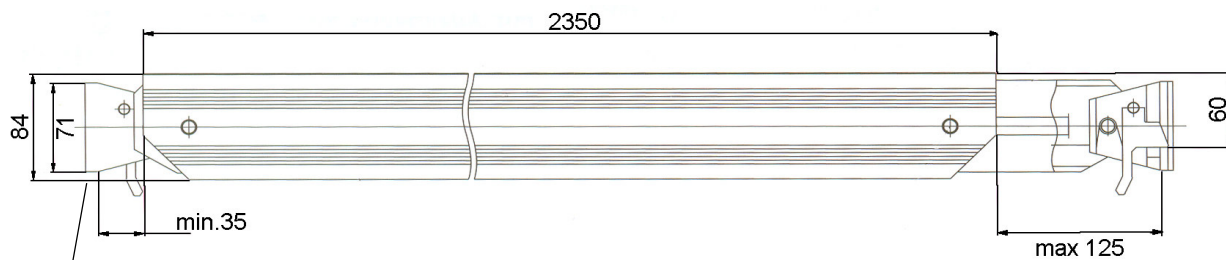


Page 10-18
 Art. 50033110
 Art. 50033210
 Art. 50033320

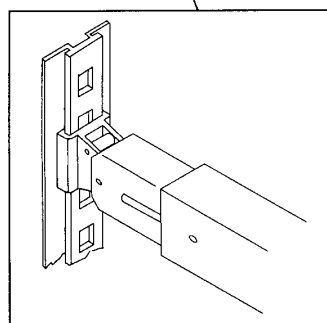
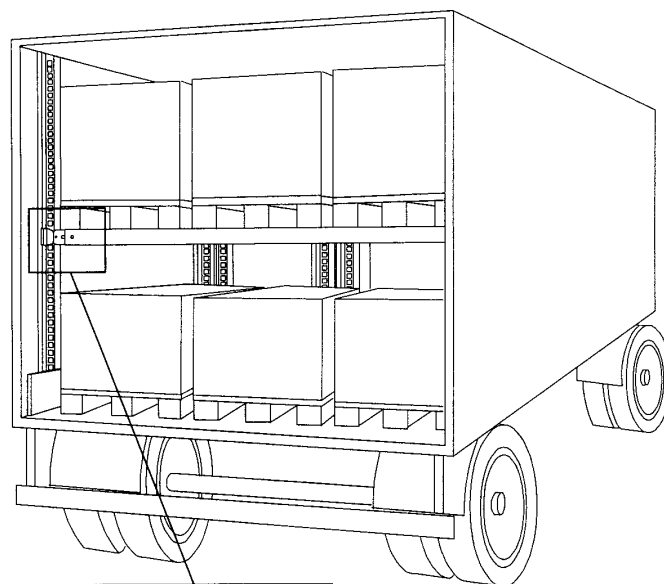
Carico massimo
 Max load capacity
1000 kg



Barra portante in alluminio regolabile da 2420 a 2600 mm
Aluminum decking beam range adjustable 2420 to 2600 mm
Barre en aluminium réglable longueur de 2420 a 2600 mm
Ladebalken aus aluminium verstellbereich 2420 a 2600 mm
Art.50030253 - 7,700 kg



Carico massimo
Max load capacity
1000 kg



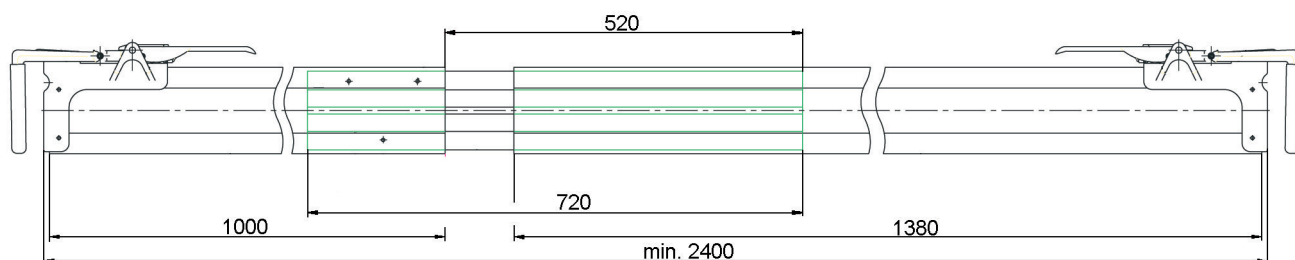
Barra estensibile da 2400 a 2700 in alluminio, con due chiusure in acciaio zincato aventi pinze da 20 a 40
Telescopic crossbar to fix on dropsides or on extension profile adjustable pliers from 20 to 40 fitted on aluminium profile length 2400 to 2700
 Traverse télescopique accrochable sur ridelles ou rèhaussees pieces réglables de 20 à 40 montées sur profil aluminium longueur 2400 a 2700
 Verstellb 20 x 40 mit swei Zwischenwandverschlüssen fertig montiert für verstellbereich 2400 bis 2700

Art.50030225 - 11,000 kg

Solo la protezione in gomma arancione
Only the orange rubber protection
Art.50030226 - 0,030 kg



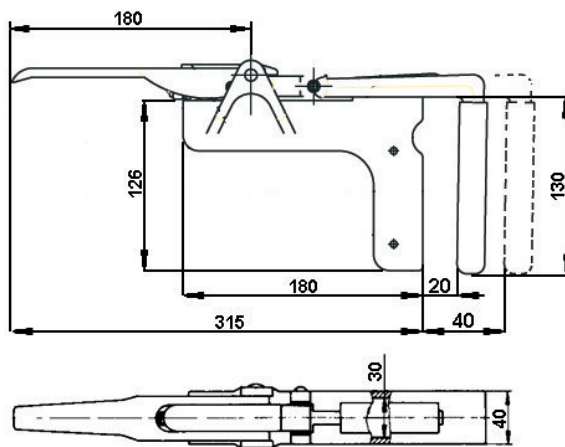
Profilo max 30 mm
 Max profile 30 mm



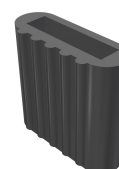
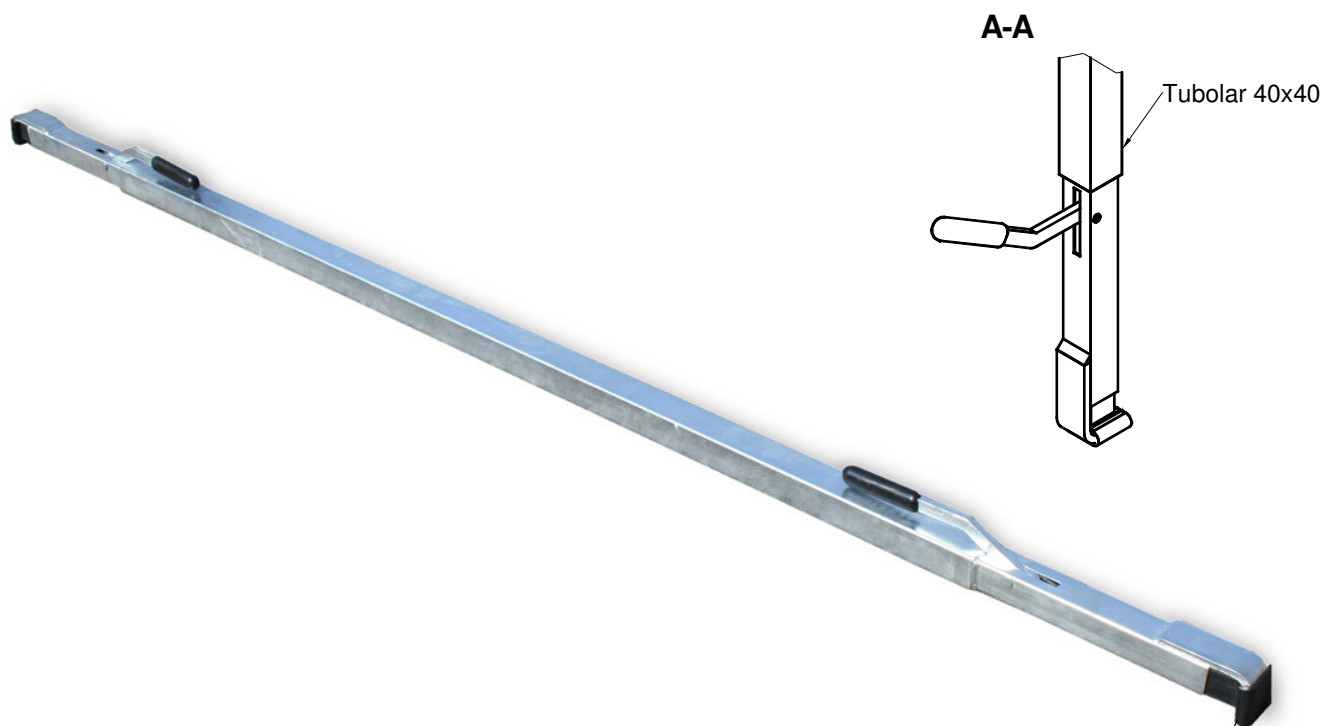
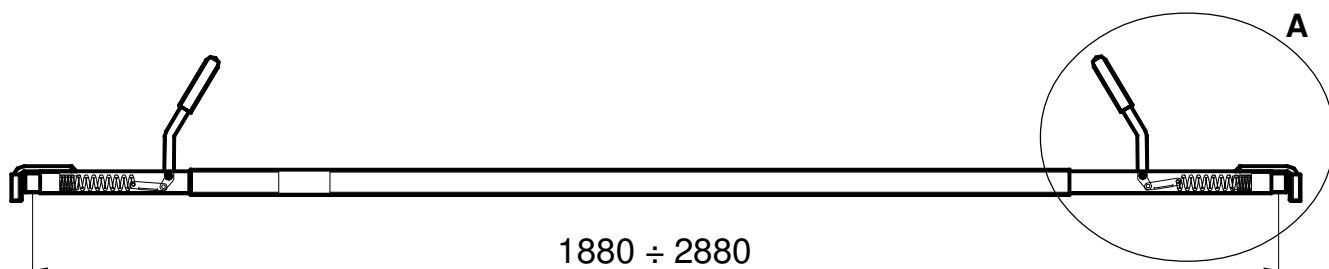
Chiusura per bandella ferma carico zincato
Bracket for parting wall lock galvanized
 Serrure accrochable sur ridelles zinguè
 Zwischenwandverschluß sthal verzinkt für bordwand

Art.50030125 - 2,400 kg

Profilo max 30 mm
 Max profile 30 mm



Barra fermacarico tipo "Scout" zincata orizzontale telescopica per sponde da 25 mm
Galvanized shoring load lock bar type "Scout" for side boards 25 mm
Art.50030250 - 7,500 kg



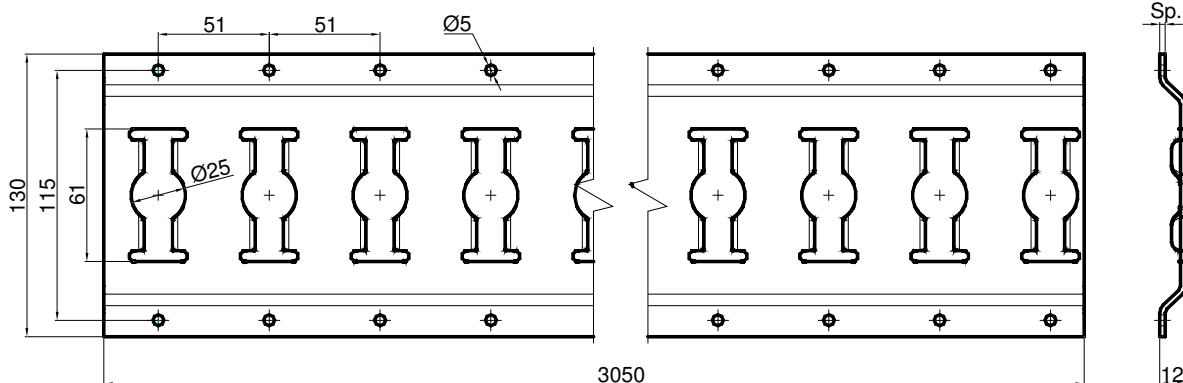
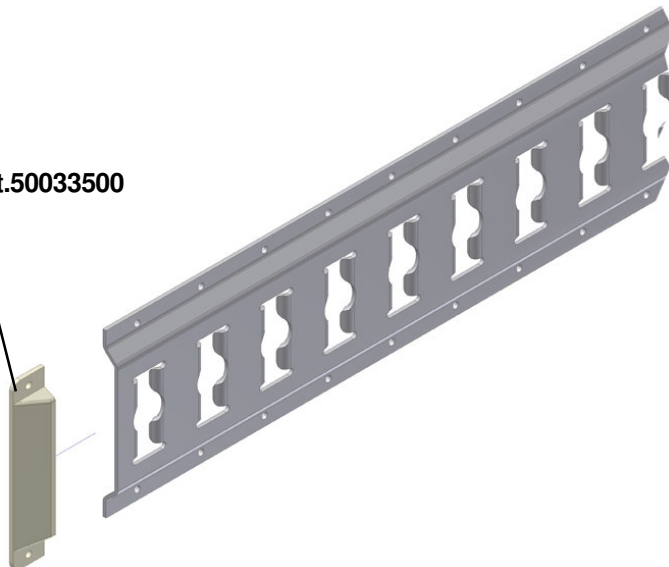
Solo la protezione in gomma nera
Only the black rubber protection
Art.50030251 - 0,030 kg



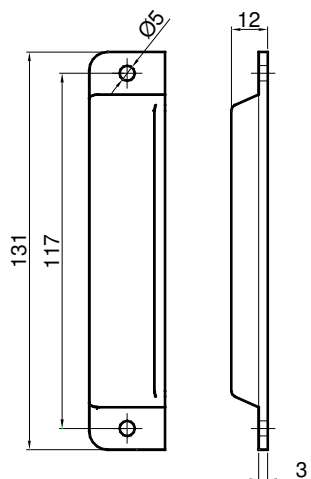
Profilo ferma carico orizzontale
Combi-track horizontal installed
 Profilès d'arrimage, montage horizontal
Combi-zurrschiene, einbau horizontal

Articolo Article	Trattamento Treatment	Sp. mm	Weight kg
50033110	Zincato Galvanized Zinguèe Verzinkt	2,3	6,200
50033210	Inox Stainless steel Acier Inox Sthal nirosta	2	5,200
50033320	Alluminio Aluminum Aluminium Aluminium	3	3,000

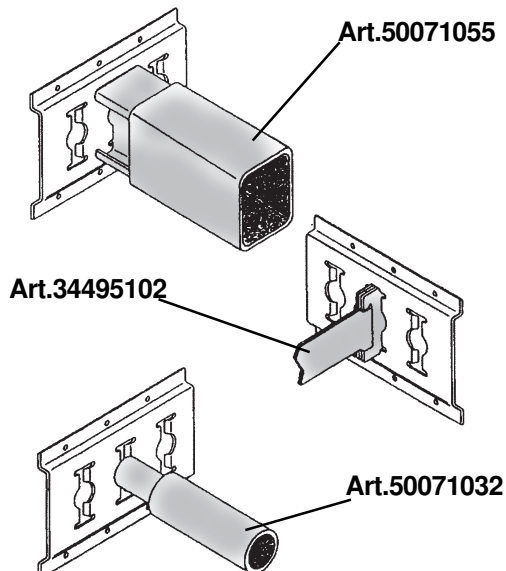
Art.50033500



Tappo PVC
 PVC Cap
Art.50033500 - 0,015 kg

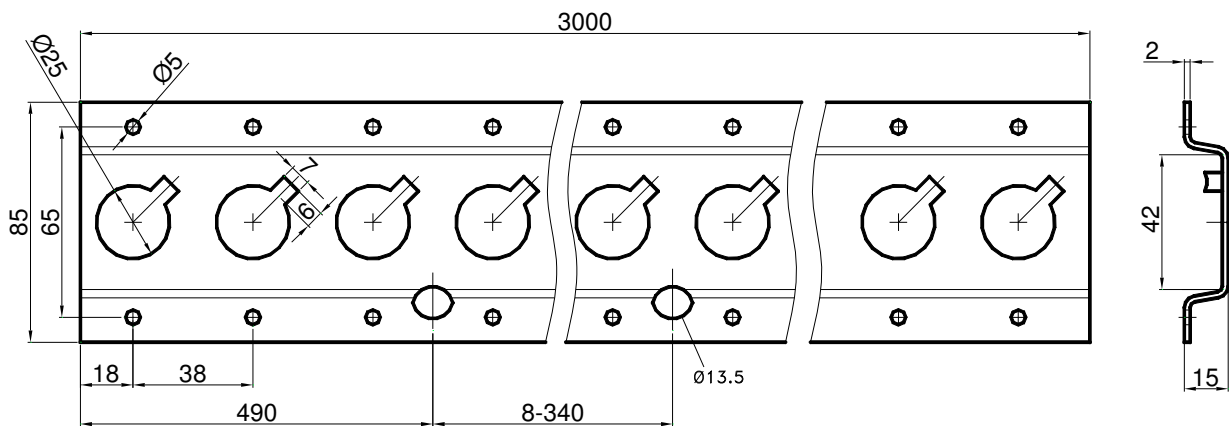


Sistemi ferma carico
 Cargo bars and tracks
 Accessoires d'arrimage
 Klenbalken und zurrschiene

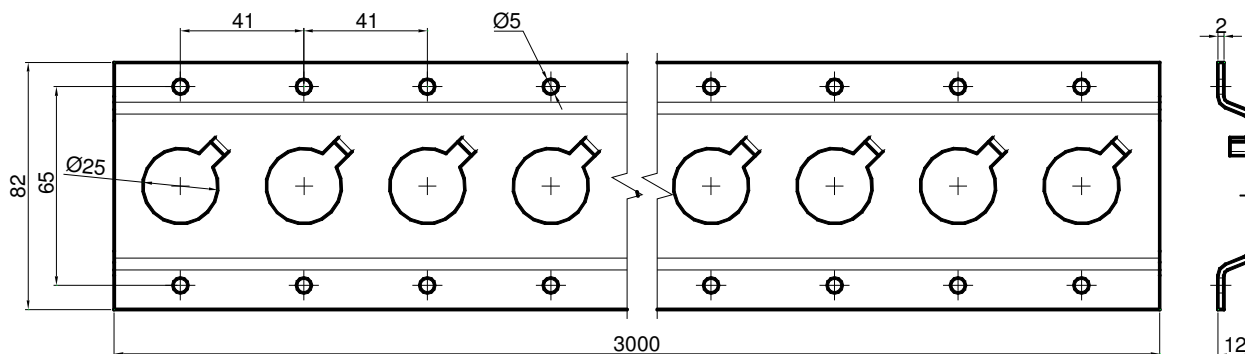


Profilo ferma carico orizzontale
 Combi-track horizontally installed
 Profilès d'arrimage, montage horizontal
 Combi-zurrschiene, einbau horizontal

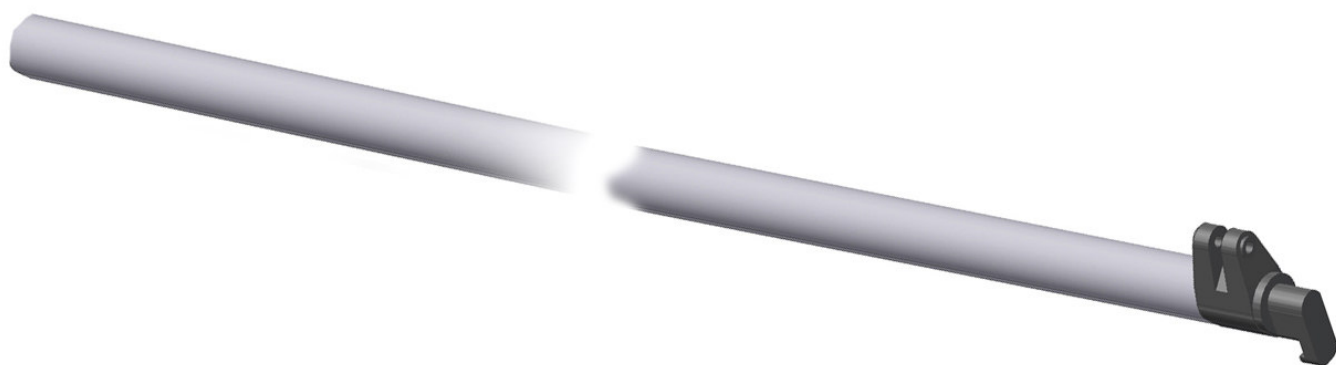
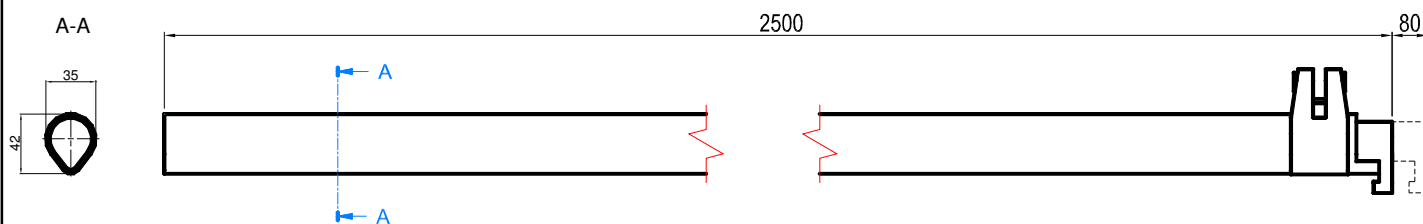
Articolo Article	Trattamento Treatment	Weight kg
50063110	Zincato Galvanized Zinguèe Verzinkt	3,500



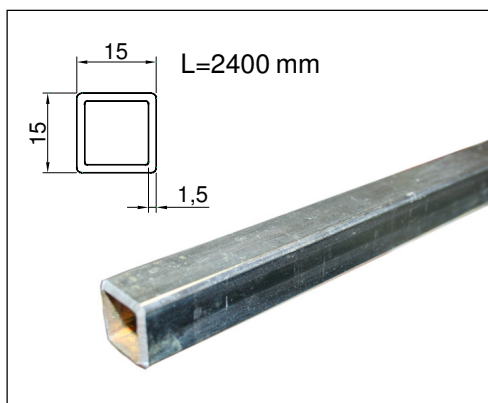
Articolo Article	Trattamento Treatment	Weight kg
50063210	Inox Stainless steel Acier Inox Sthl nirosta	3,430



Barra appendi abiti zincata con ferma appendino predisposta a lunghezza modificabile
Galvanized expanding shoring bar for garments sheets preset for modification lenght
Art.50081250 - 7,500 kg



Fornita con questi componenti da assemblare
Supplied with these components to assembly



Barra appendiabiti zincata con aggancio di sicurezza estensibile L=2460 mm

Expanding galvanized shoring bar for garments sheets L=2460 mm

Barre zinguè telescopique porte vetements L=2460 mm

Kleidertransportestange verzinkt für Wandbleche total breite L=2460 mm

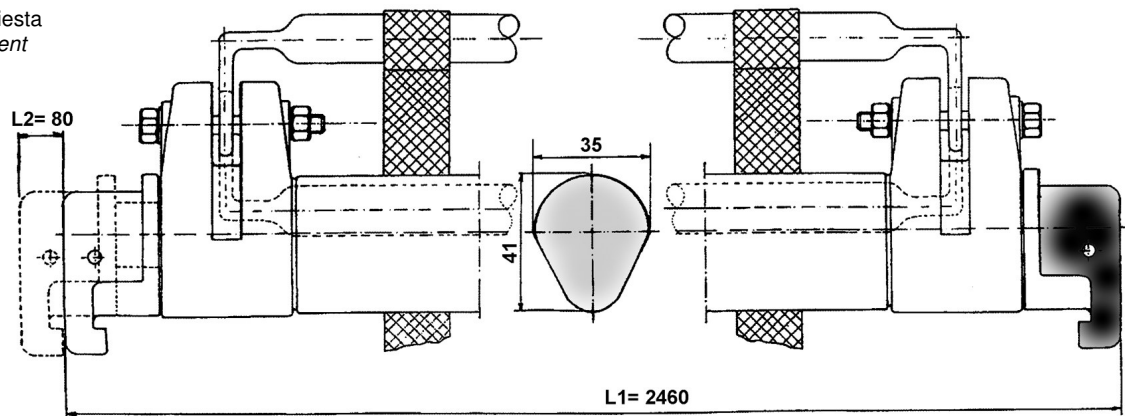
Art.50081626 - 8,000 kg

Barra cromata / *Barre acier chromé* / Chromium plated / *Wie oben Verchromt*

Art.50081726 - 8,000 kg

* L1 Modificabile su richiesta

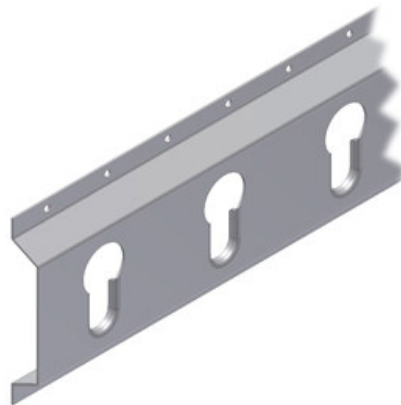
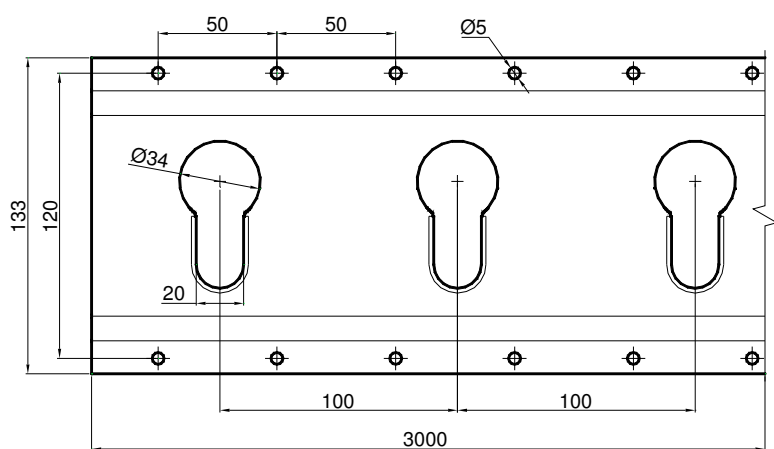
* L1 Possible changement



Profilo ferma carico orizzontale per appendiabiti zincata

Galvanized horizontal garments rail track

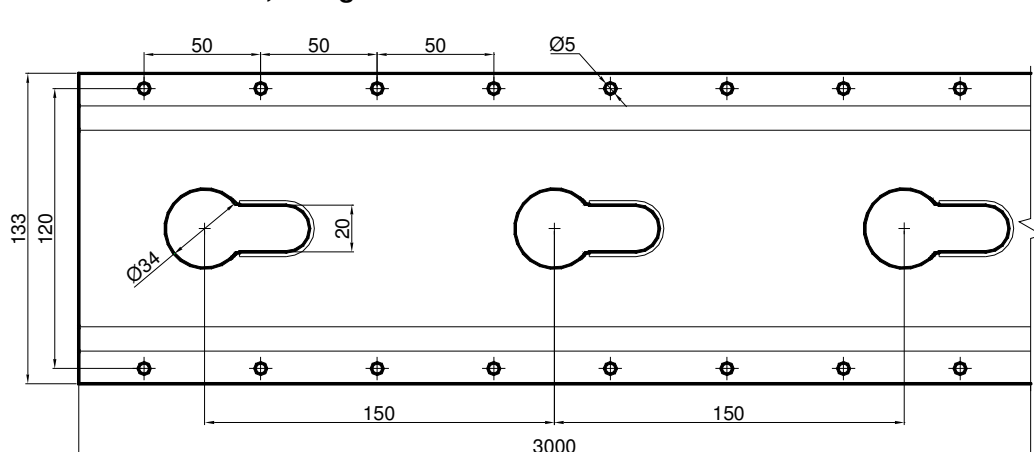
Art.50071803 - 5,000 kg



Profilo ferma carico verticale per appendiabiti zincata

Galvanized vertical garments rail track

Art.50071843 - 5,000 kg



Barra appendiabiti zincata con aggancio di sicurezza estensibile L=2460 mm
Expanding galvanized shoring bar for garments sheets L=2460 mm
 Barre zinguè telescopique porte vetements L=2460 mm
Kleidertransportestange verzinkt für Wandbleche total breite L=2460 mm

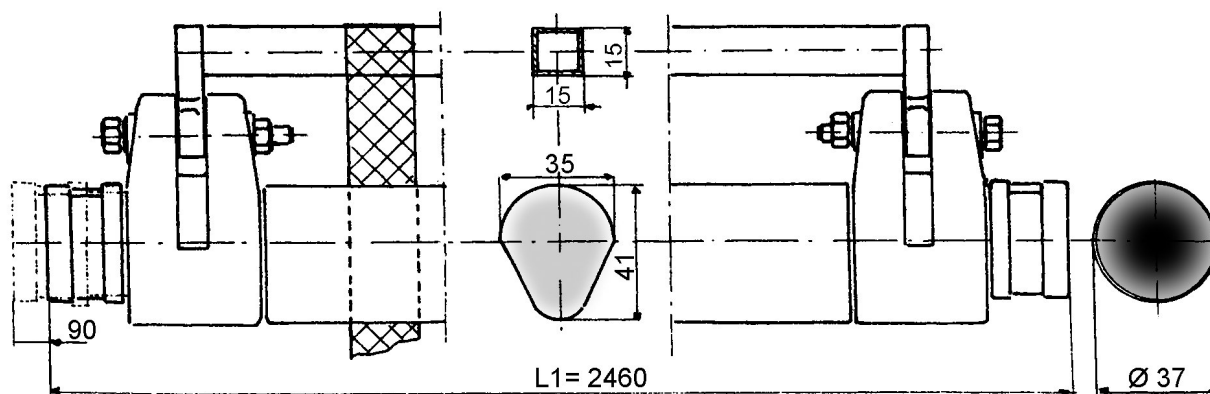
Art.50081826 - 8,000 kg

Barra cromata / *Barre acier chromé* / Chromium plated / *Wie oben Verchromt*

Art.50081836 - 8,000 kg

* L1 Modificabile su richiesta

* L1 Possible changement



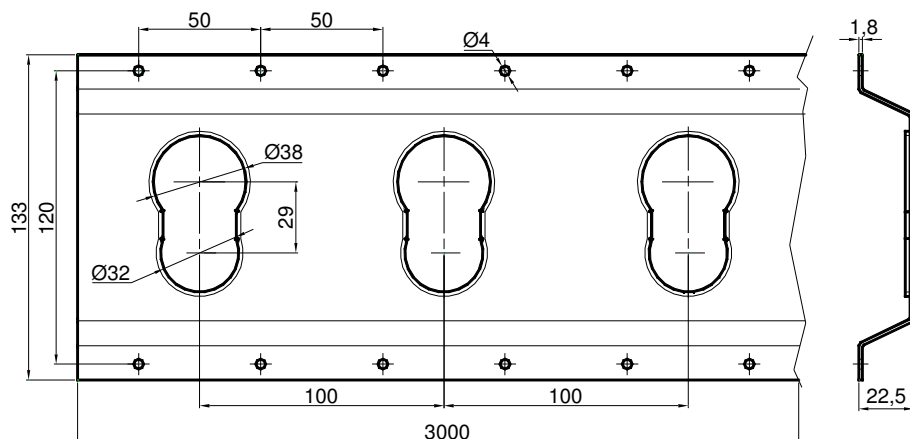
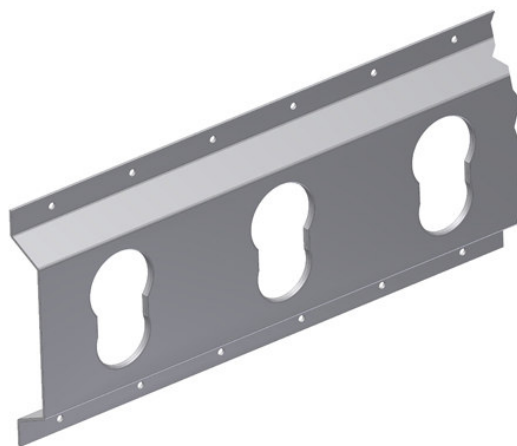
Profilo ferma carico orizzontale per appendiabiti zincato

Galvanized horizontal garments rail track

Rail horizontal acier zinguè porte vètements

Combi-zurrschiene, einbau horizontal verzinkt

Art.50071833 - 4,650 kg



Barra appendiabiti zincata con aggancio di sicurezza comprimibile L=2000 mm
Compressible galvanized shoring bar for garments sheets L=2000 mm
 Barre zinguè compressible porte vêtements L=2000 mm
Kleidertransportestange verzinkt für Wandbleche total breite L=2000 mm

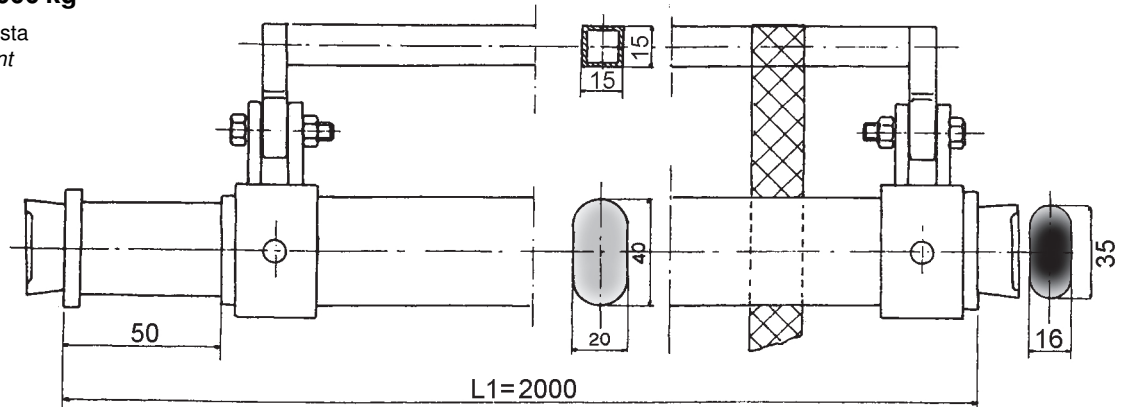
Art.50081926 - 6,000 kg

Barra cromata / *Barre acier chromé* / Chromium plated / *Wie oben Verchromt*

Art.50081936 - 6,000 kg

* L1 Modificabile su richiesta

* L1 Possible changement



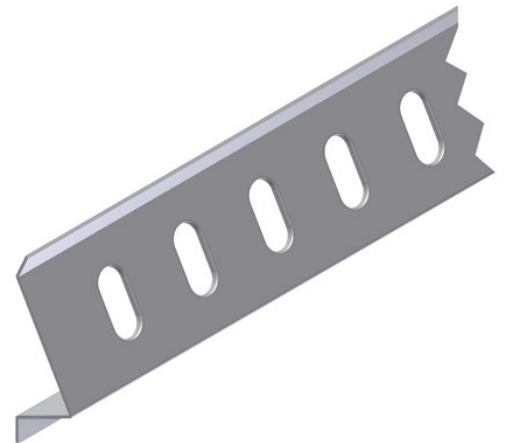
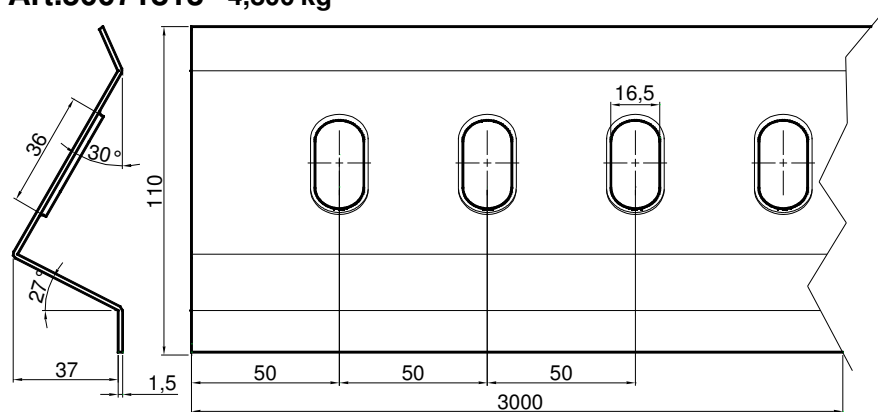
Profilo ferma carico orizzontale per appendiabiti zincato

Galvanized horizontal garments rail track

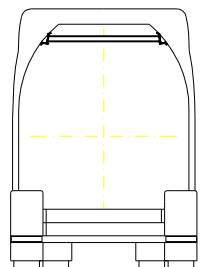
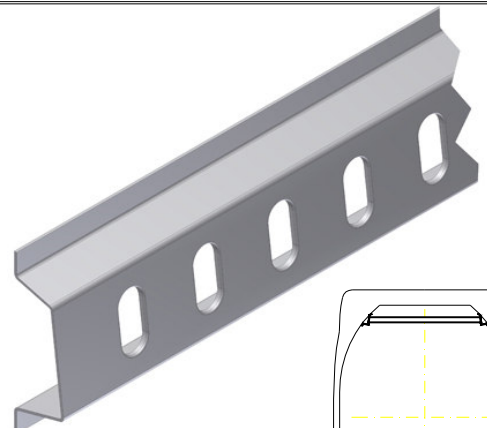
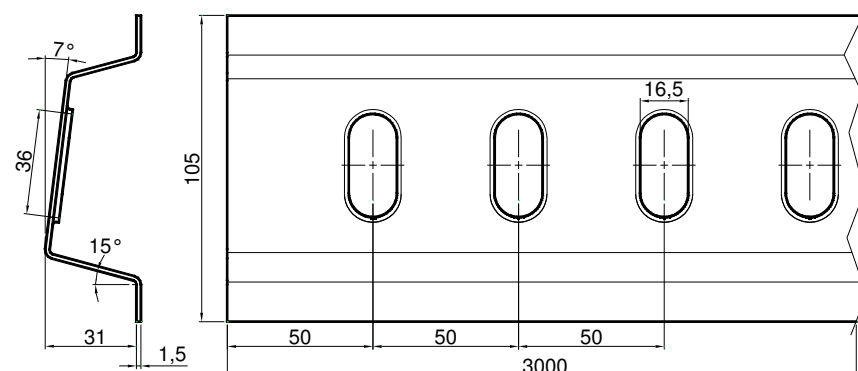
Rail horizontal acier zinguè porte vêtements

Combi-zurrschiene, einbau horizontal verzinkt

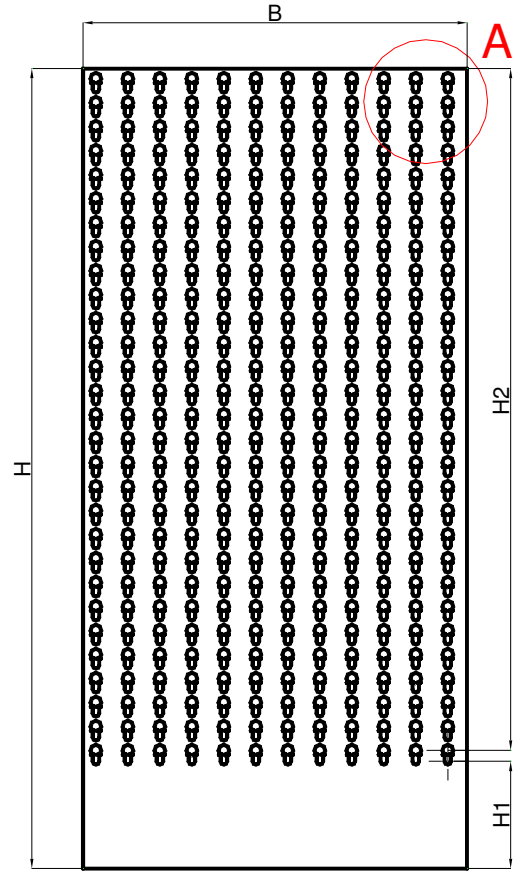
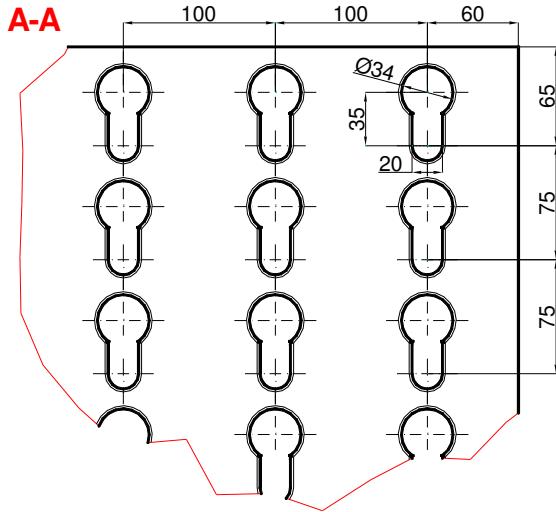
Art.50071813 - 4,800 kg



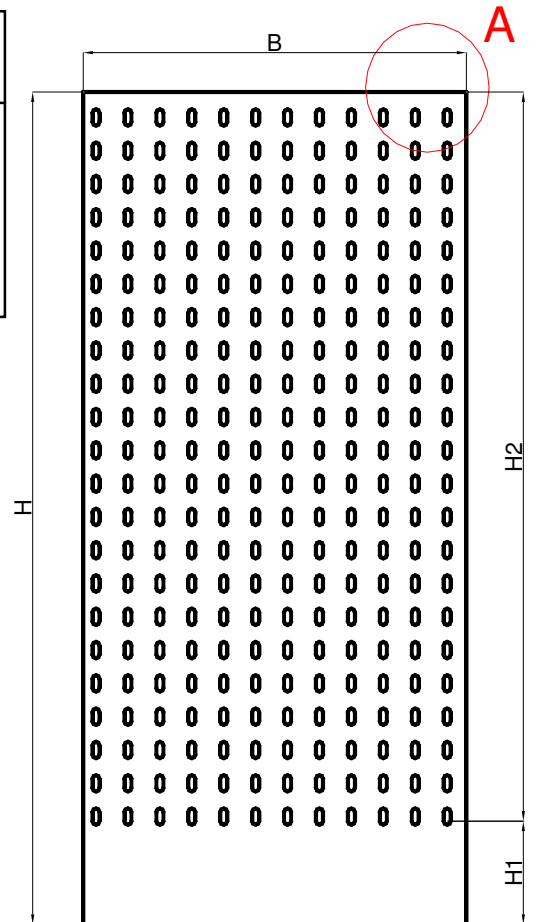
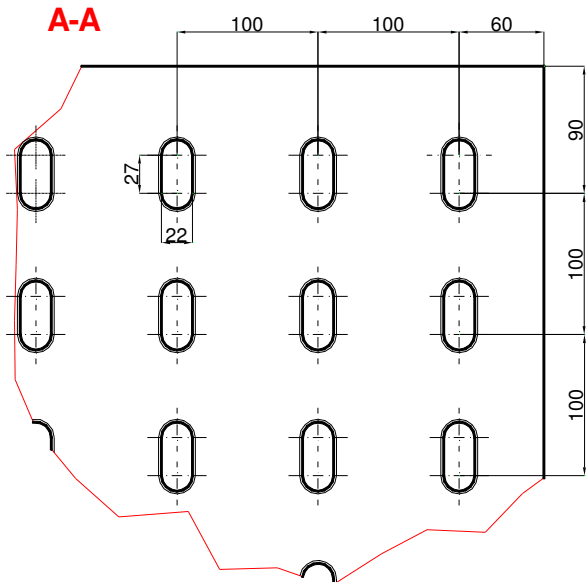
Art.50071823 - 5,100 kg



Articolo Article	Tipo Type	Spessore Thickness	B (mm)	H (mm)	H 1 (mm)	H 2 (mm)	Weight kg
50801225	Alluminium	2	1200	2500	260	2160	20
50801228	Alluminium	2	1200	2850	370	2400	23
50815225	Galvanized	1,5	1200	2500	260	2160	35

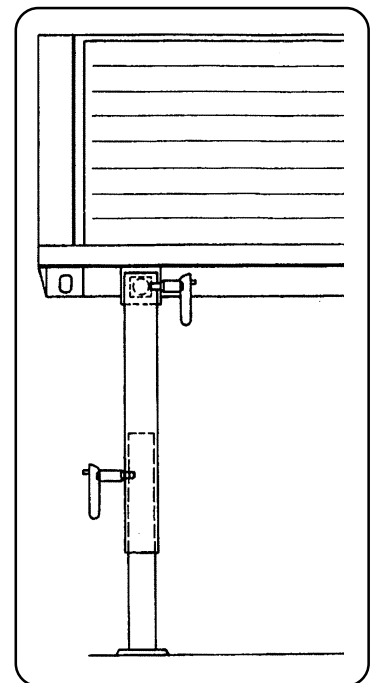
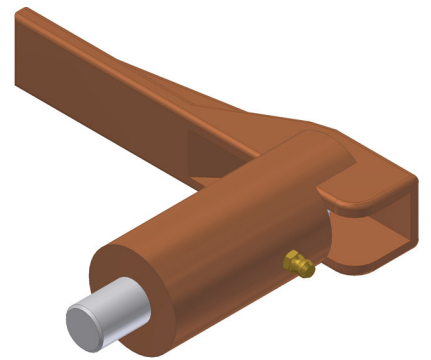
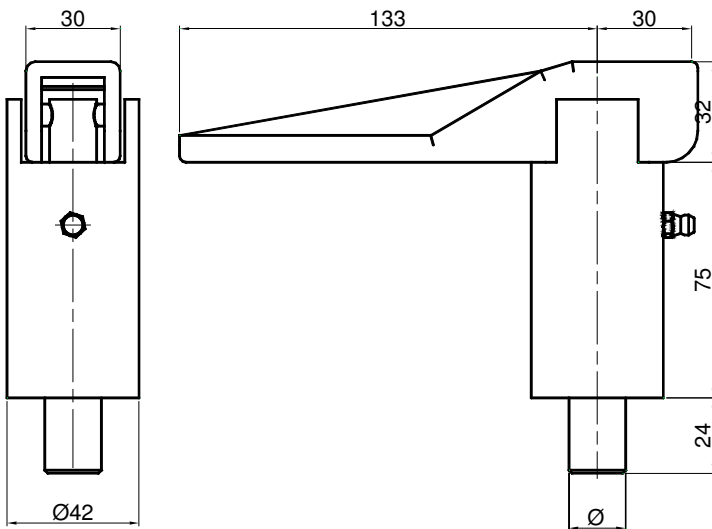


Articolo Article	Tipo Type	Spessore Thickness	B (mm)	H (mm)	H 1 (mm)	H 2 (mm)	Weight kg
50801325	Alluminium	2	1200	2500	260	2160	20
50801328	Alluminium	2	1200	2850	370	2400	23
50815325	Galvanized	1,5	1200	2500	260	2160	35

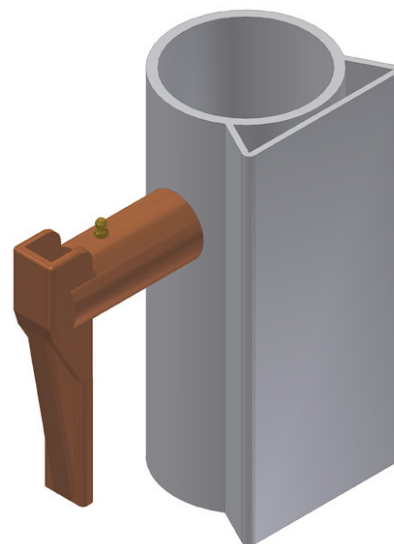
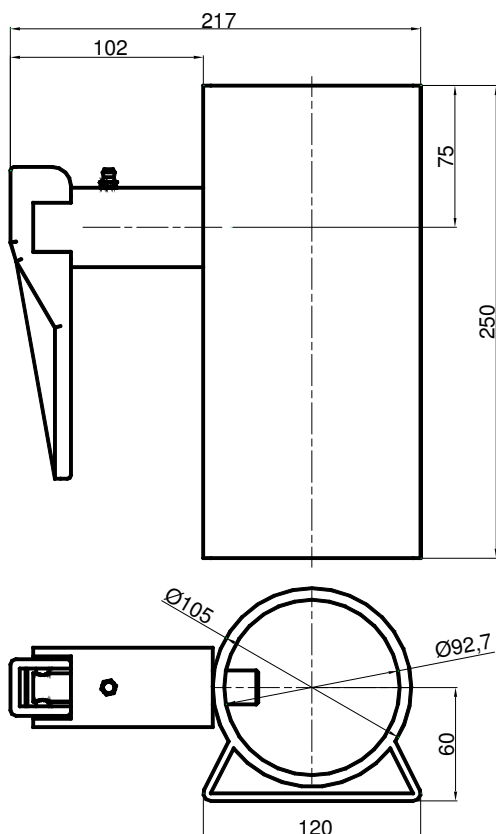


Maniglia fissaggio gamba
 Lock handle
 Stützbeinscherung für Wechselaufbauten

Articolo Article	Ø mm	Peso Weight kg
36020300	18	1,250
36020301	25	1,300

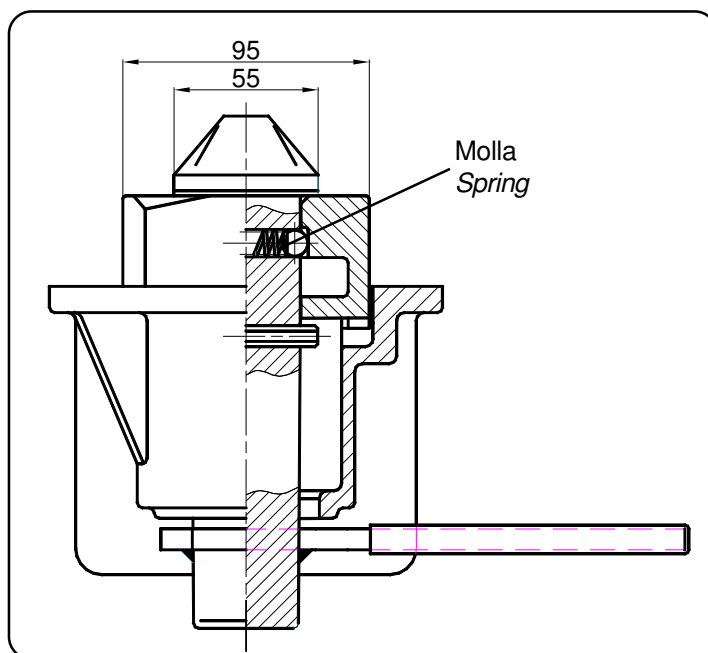
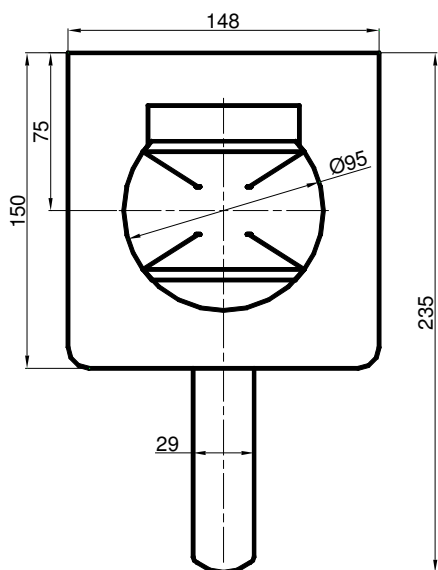
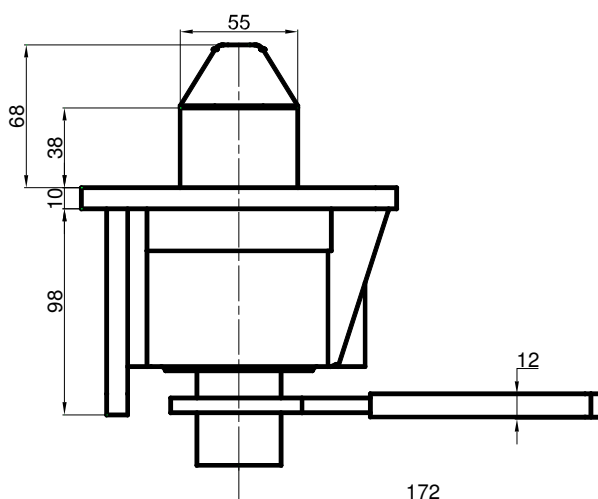
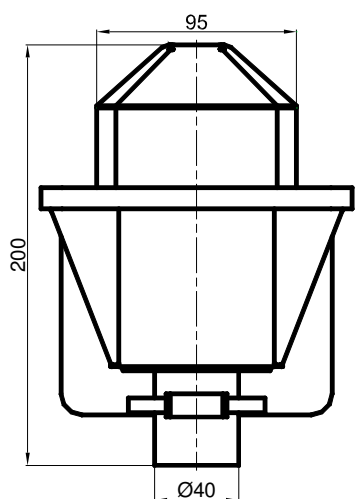
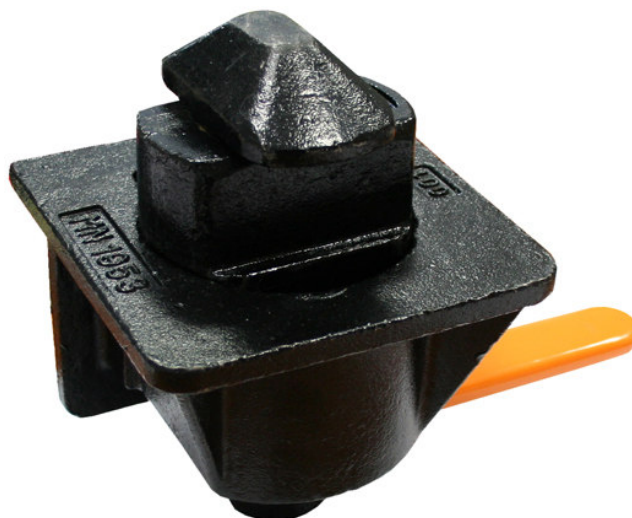


Tubo con maniglia di fissaggio
 Tube with lock handle
Art. 36020320 - 7,500 kg

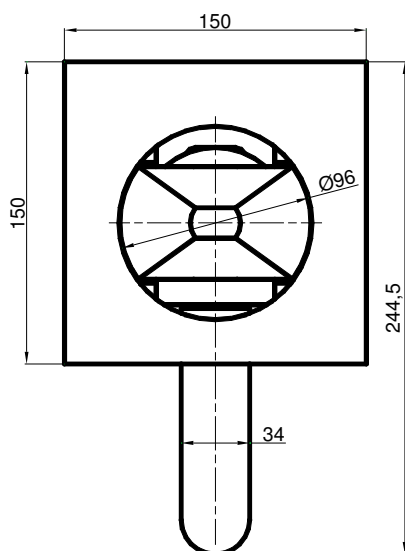
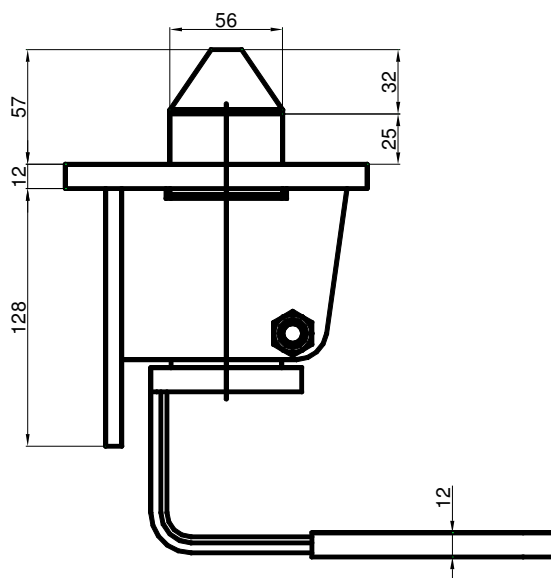
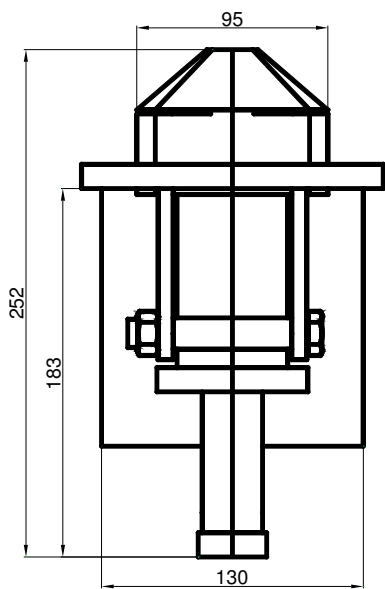


* Solo su ordinazione
 * Only by order

Twist Lock tipo leggero
Light type Twist lock
Art. 50253280 - 7,300 kg



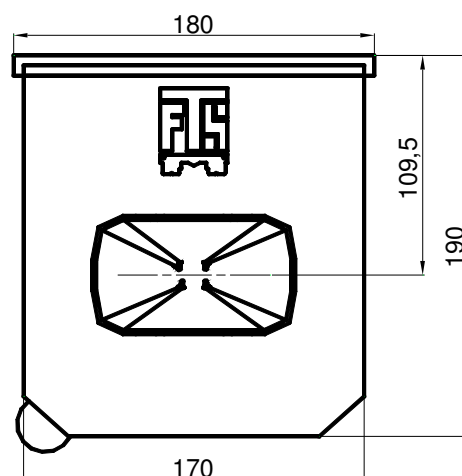
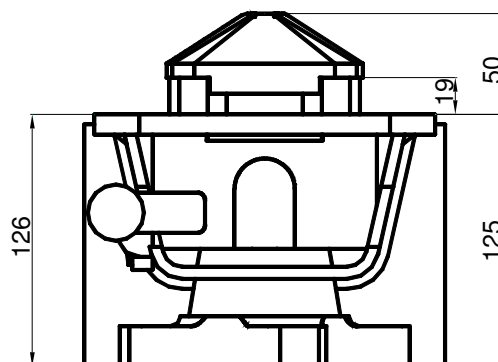
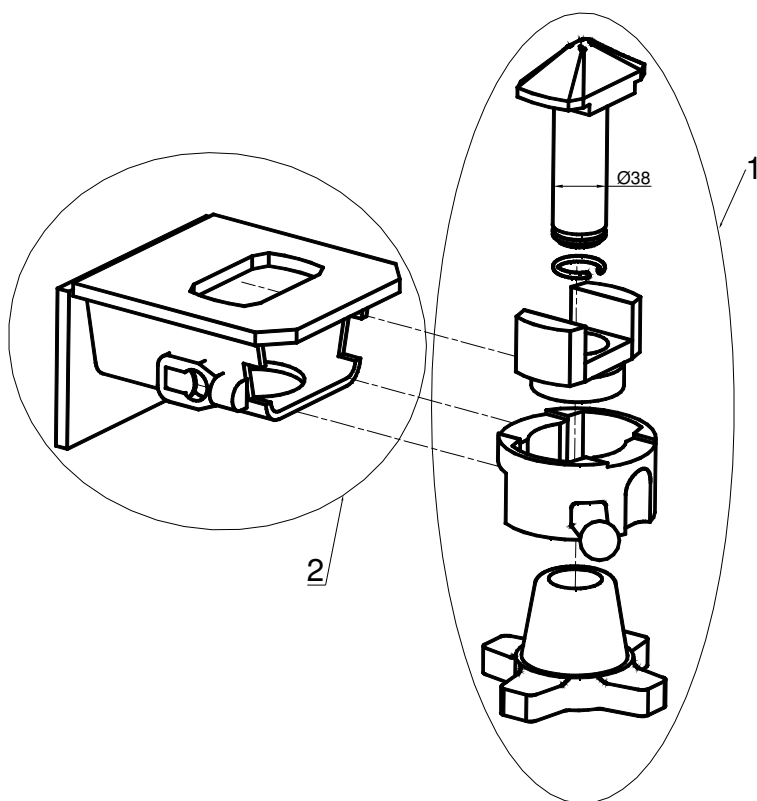
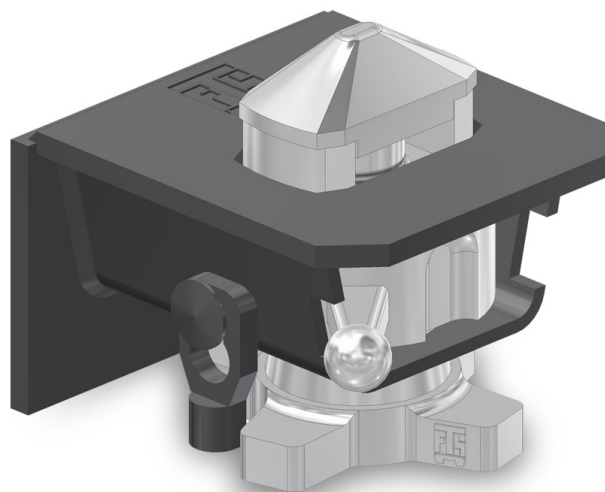
Twist Lock tipo leggero (Norme ISO 1496 e 1161)
Light type Twist lock (ISO 1496 and 1161)
Art.50253180 - 7,900 kg



Twist Lock Ø 38

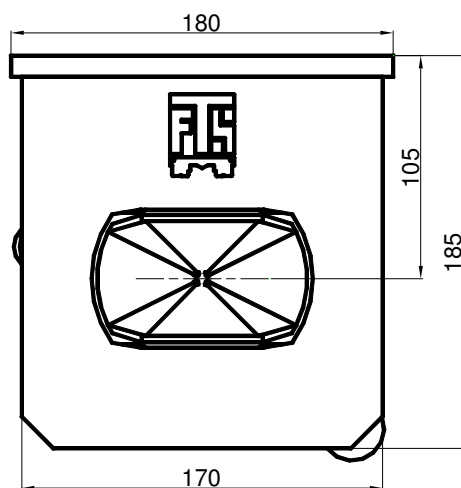
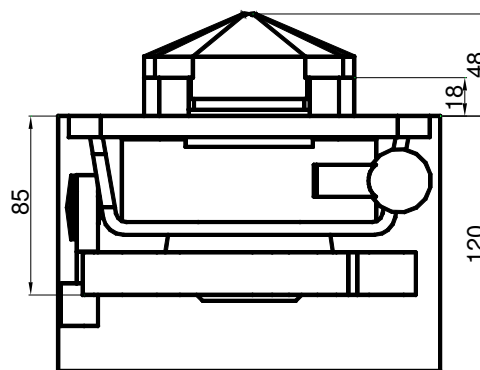
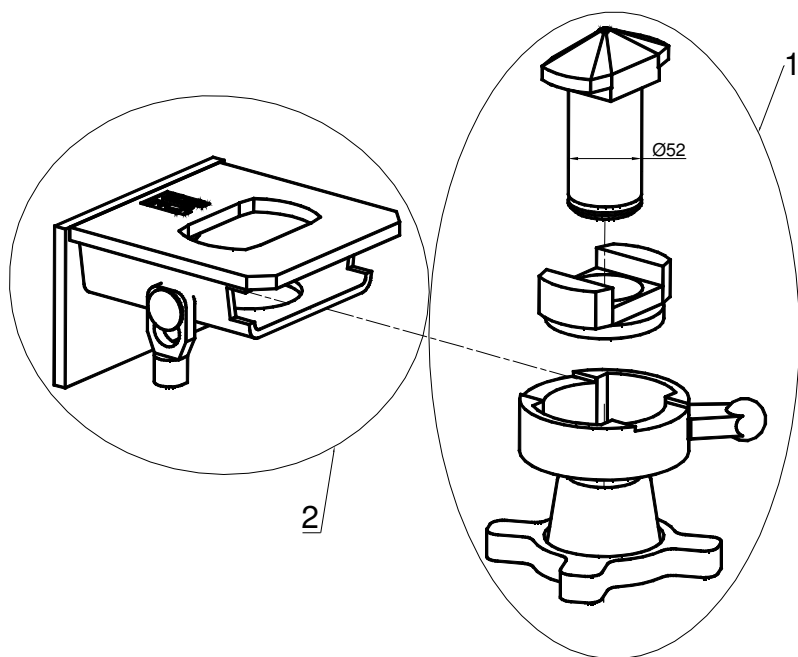
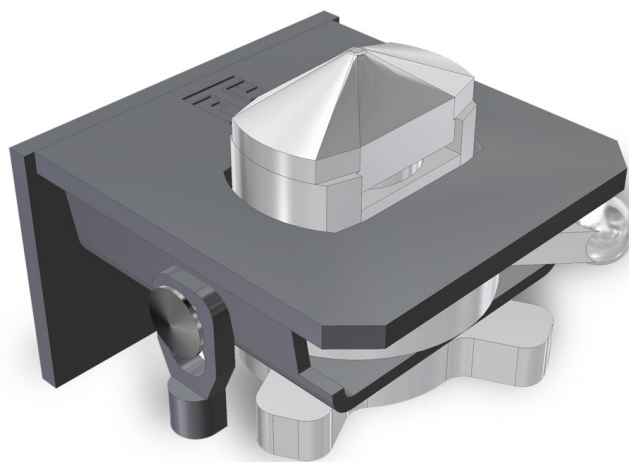
Twist lock Ø 38

Articolo Code	Pos.	Descrizione Description	Peso Weight kg
50253380		Completo Complete	11,000
50253380/1	1	Parte interna Inside	5,800
50253380/2	2	Parte esterna Outside	5,300



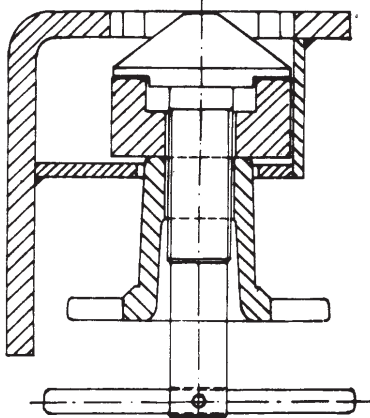
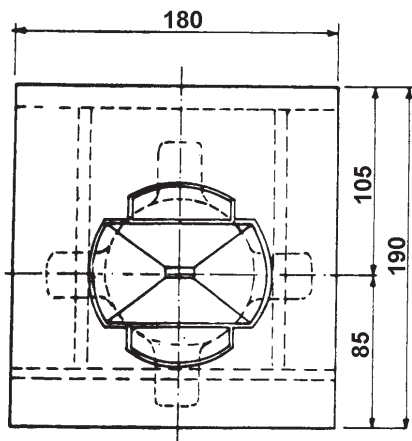
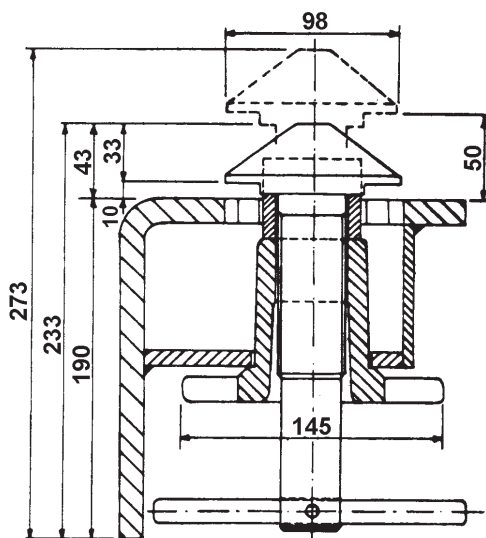
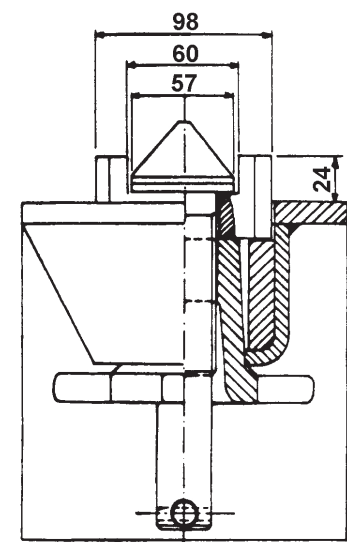
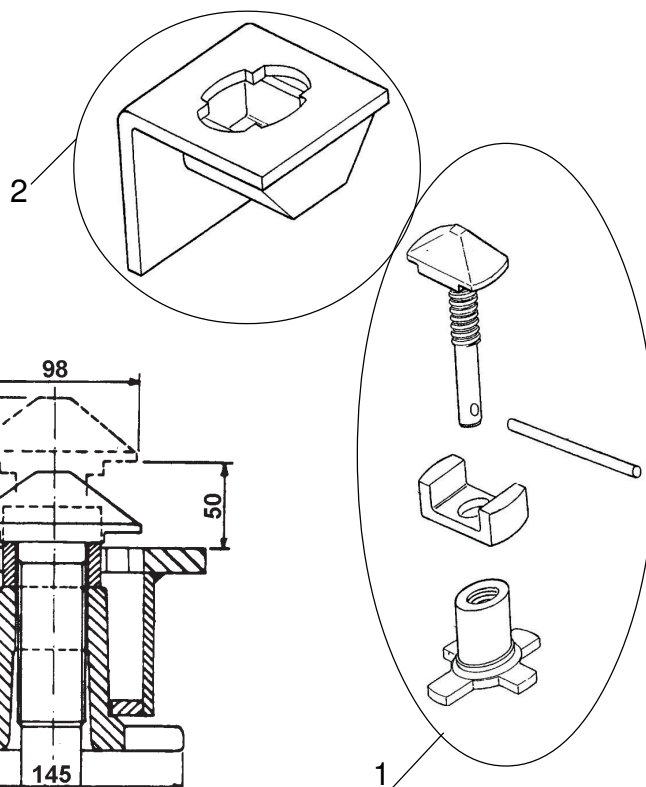
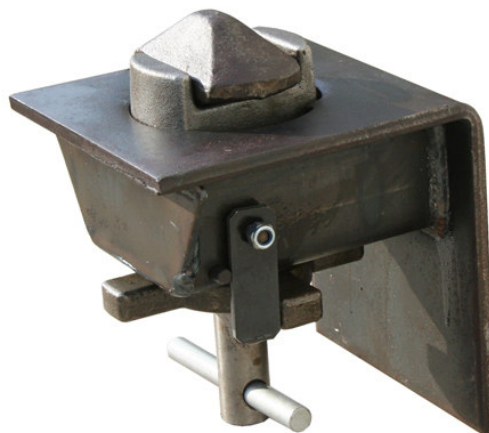
Twist Lock ribassato Ø 52
 Twist lock depressed Ø 52

Articolo Code	Pos.	Descrizione Description	Peso Weight kg
52253380		Completo Complete	11,300
52253380/1	1	Parte interna Inside	6,400
52253380/2	2	Parte esterna Outside	4,900



Twist Lock
Twist lock

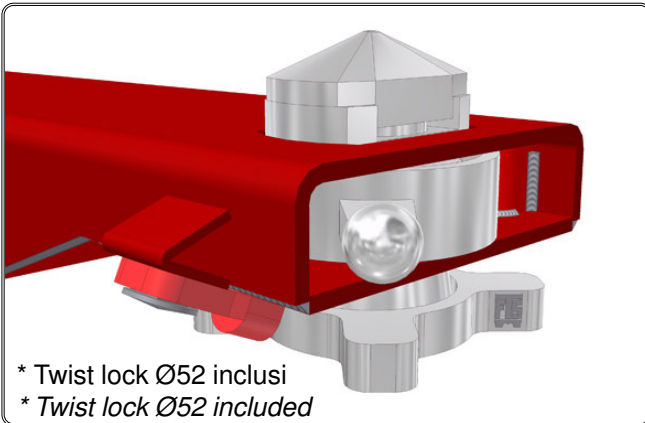
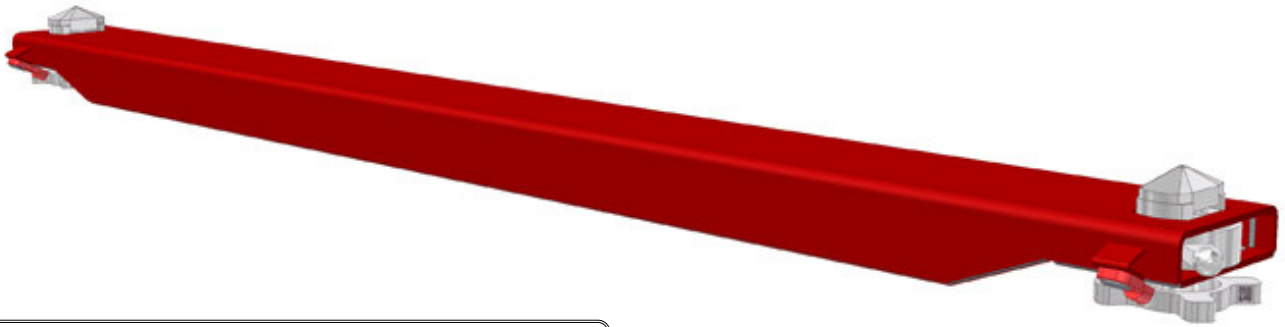
Articolo Code	Pos.	Descrizione Description	Peso Weight kg
50253480		Completo Complete	11,500
50253480/1	1	Parte interna Inside	6,000
50253480/2	2	Parte esterna Outside	5,500



Traversa H=100
Crosspiece H=100
Art.52253100 - 93,000 kg

Per autotelai secondo norme DIN 70014
per trasporto di casse mobili fino a 32 Ton.

*For truck trailers chassis following norms DIN
70014 to load containers till 32 Tons.*

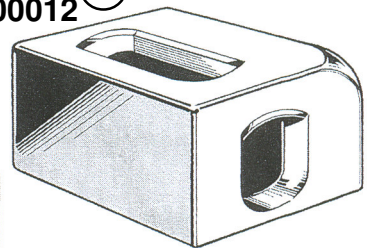


* Twist lock Ø52 inclusi
* Twist lock Ø52 included

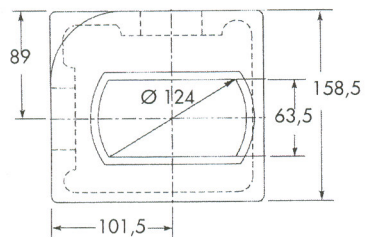
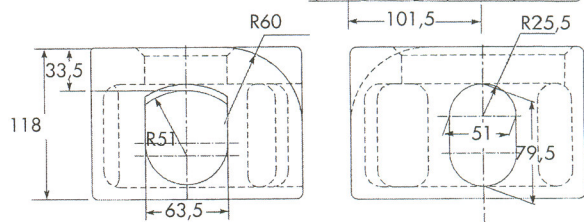
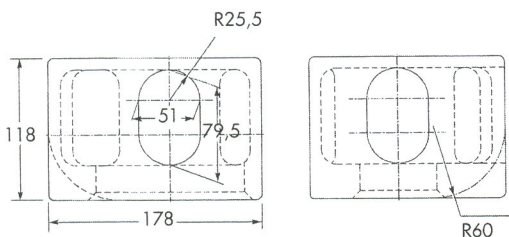
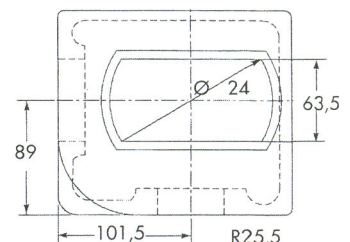
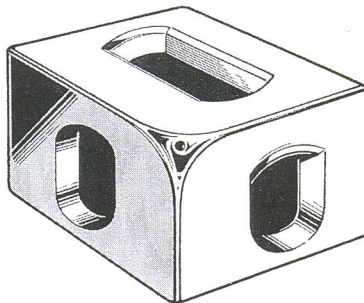


Equipaggiamento blocchi d'angolo a norme ISO 1161 per container
 Kit ISO 1161 corner container cast steel
Art.32500010 - 88,000 kg (8 Pcs.)

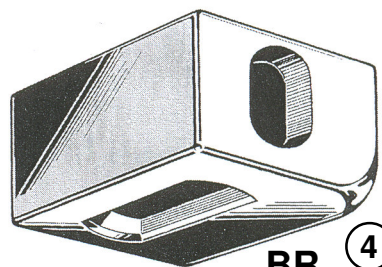
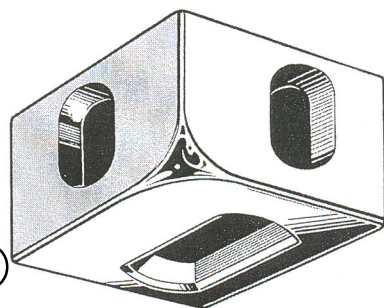
TR
Art. 32500012 ②



TL ①
Art. 32500011



BL ③
Art. 32500013



BR ④
Art. 32500014

