

si riserva di apportare senza alcun preavviso qualsiasi modifica alle caratteristiche tecniche indicate nel presente catalogo.

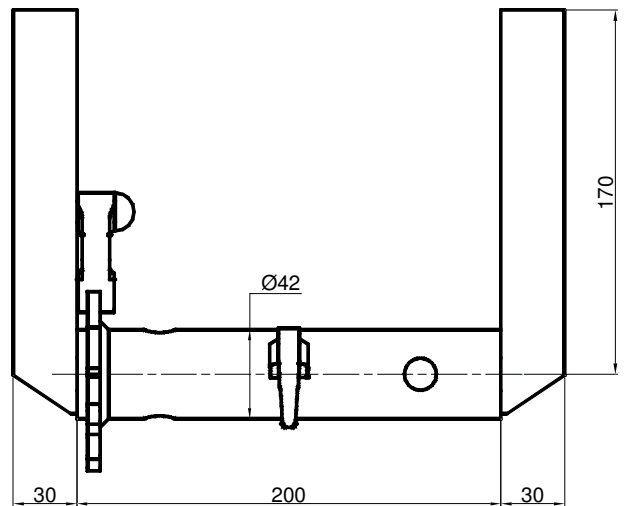
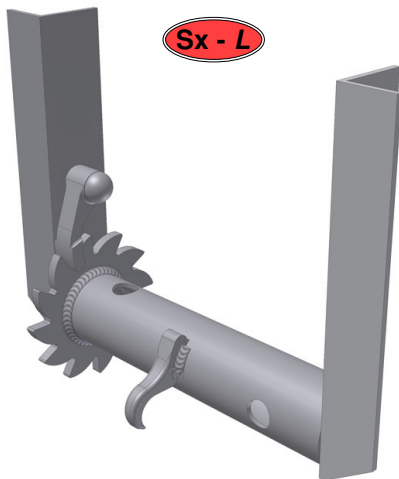
reserves the right to modify the technical data mentioned into this catalogue without notice.



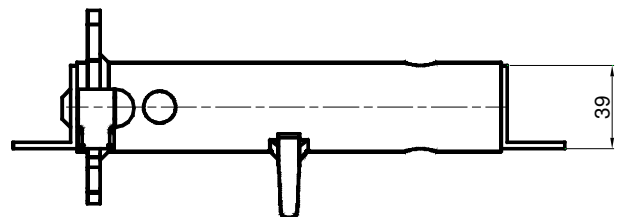
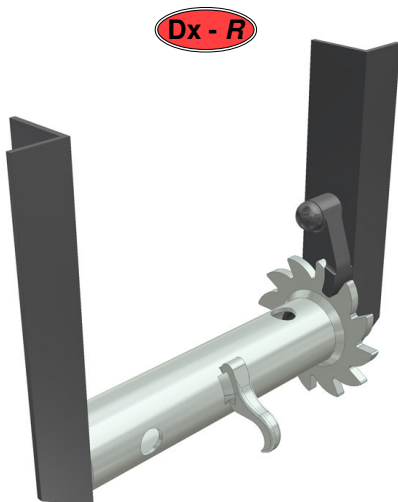
5

- Verricelli
- Winches

Verricello Ø42 grezzo
Raw winch Ø42
Art. 30106542/R
Art. 30106542/L
1,830 kg



Verricello Ø42 zincato staffe verniciate nere
Galvanized winch Ø42 black painted brackets
Art. 30106542/1R
Art. 30106542/1L
1,830 kg

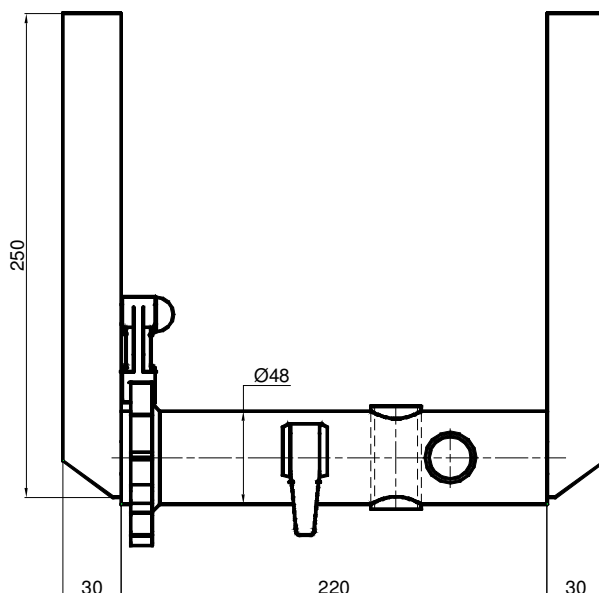


Verricello rinforzato Ø48 grezzo
Raw strengthened winch Ø48

Art. 30106846/R

Art. 30106846/L

2,100 kg

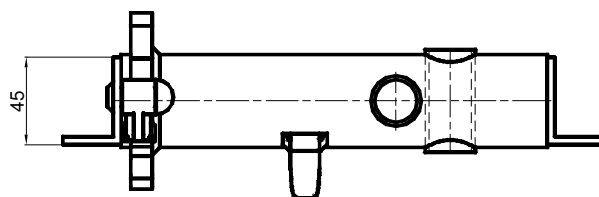


Verricello rinforzato Ø48 zincato staffe verniciate nere
Galvanized strengthened winch Ø48 black painted brackets

Art. 30106846/1R

Art. 30106846/1L

2,100 kg

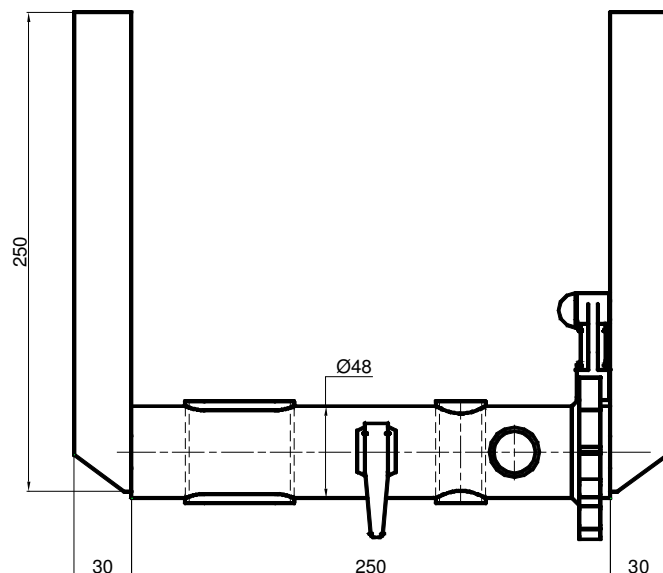
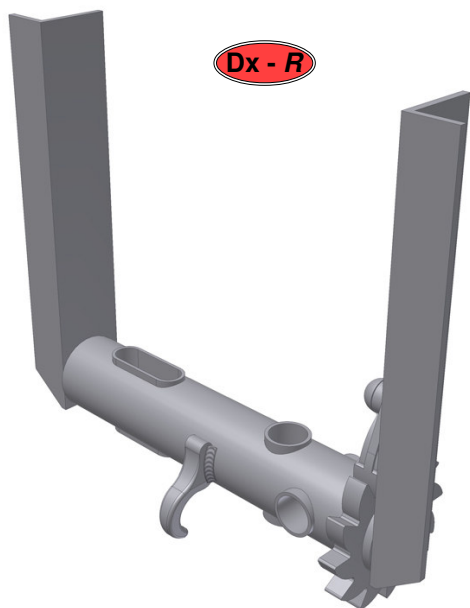


Verricello rinforzato Ø48 grezzo con asola
Raw strengthened winch Ø48 with slots

Art. 30106841/R

Art. 30106841/L

2,100 kg

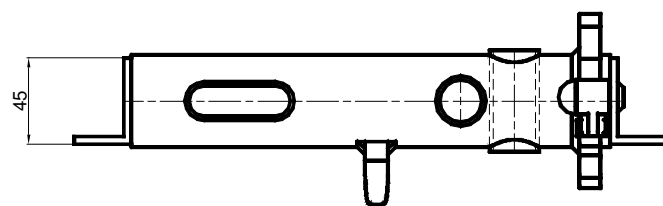


Verricello zincato rinforzato Ø48 con asola staffe verniciate nere
Galv. strengthened winch Ø48 with slots black painted brackets

Art. 30106841/1R

Art. 30106841/1L

2,100 kg

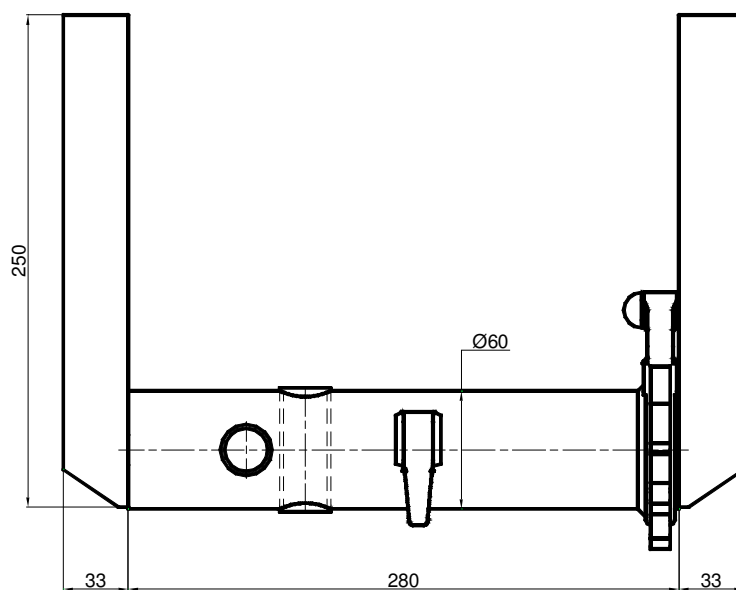
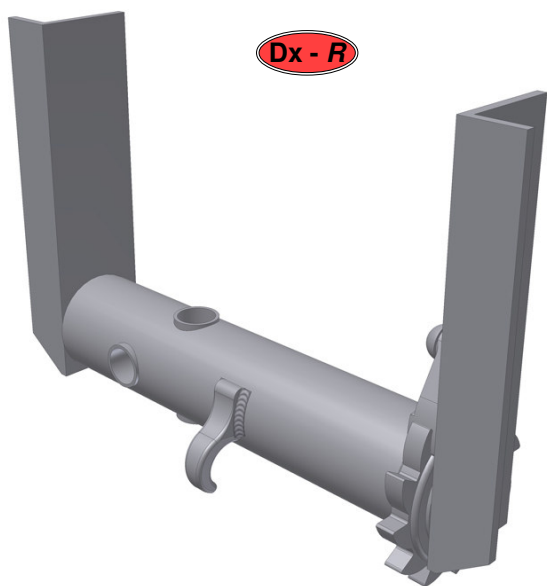


Verricello rinforzato Ø60 grezzo
Raw strengthened winch Ø60

Art. 30060512/R

Art. 30060512/L

3,500 kg

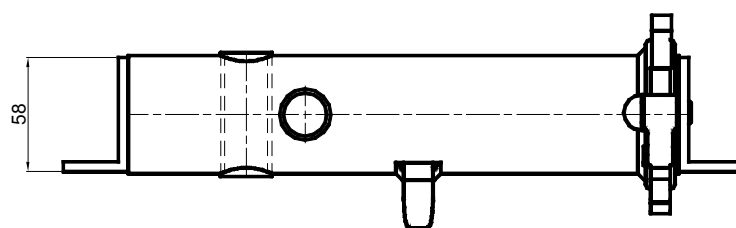
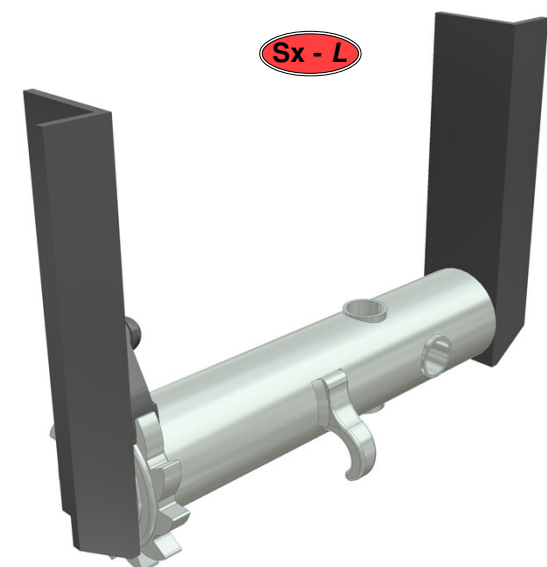


Verricello rinforzaro Ø60 zincato con staffe verniciate nero
Galv. strengthened winch Ø60 with black painted bracket

Art. 30060512/1R

Art. 30060512/1L

3,500 kg

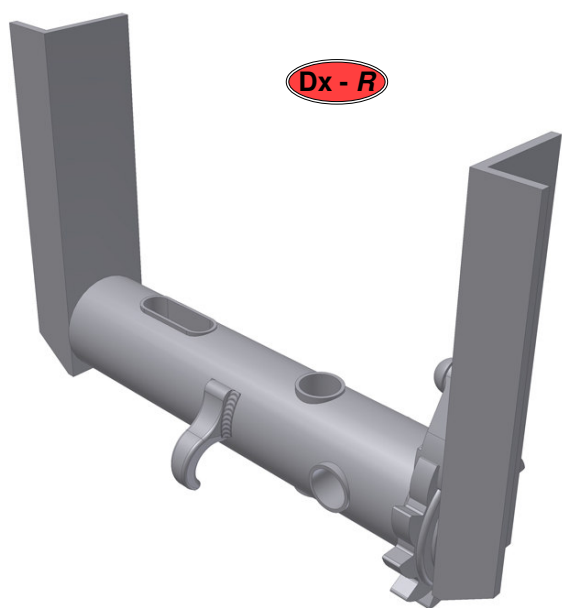


Verricello rinforzato Ø60 grezzo con asola
Raw strengthened winch Ø60 with slots

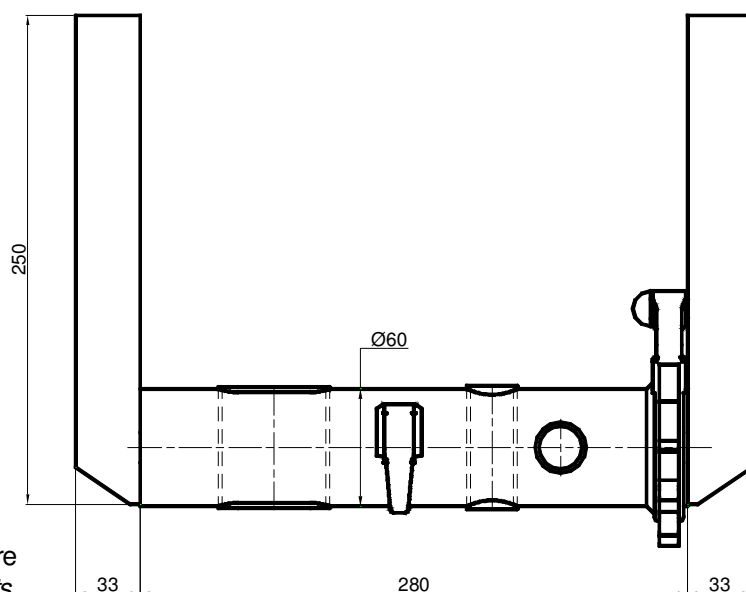
Art. 30060600/R

Art. 30060600/L

3,500 kg



Dx - R

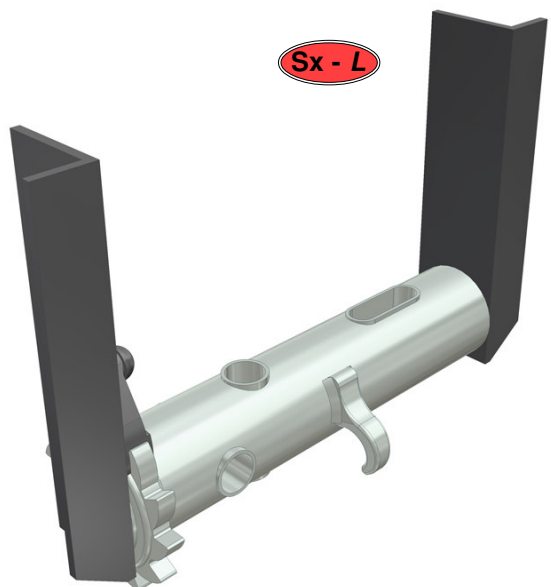


Verricello rinforzato Ø60 zincato con asola staffe verniciate nere
Galv. strengthened winch Ø60 with slots black painted brackets

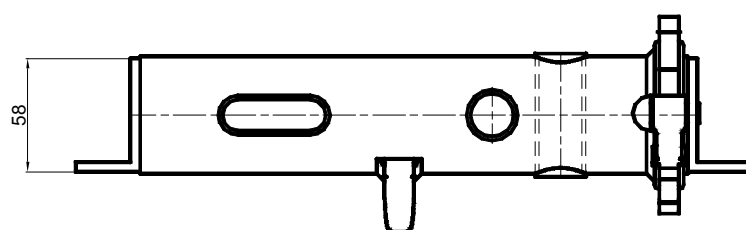
Art. 30060600/1R

Art. 30060600/1L

3,500 kg



Sx - L

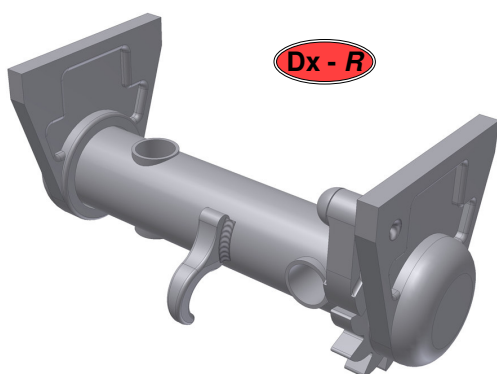
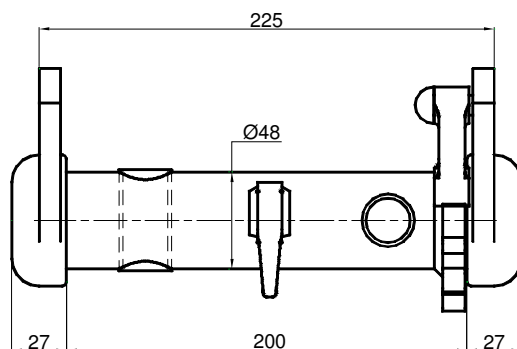


Verricello rinforzato Ø48 grezzi con facciate stampate, fori rinforzati
Raw strengthened winch Ø48 with forged sides support, with holes

Art. 30106832 - Destro / *Right*

Art. 30106842 - Sinistro / *Left*

2,500 kg



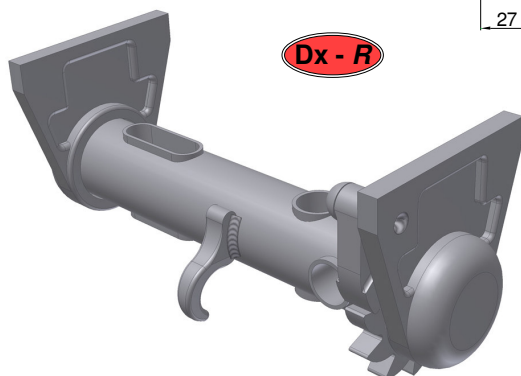
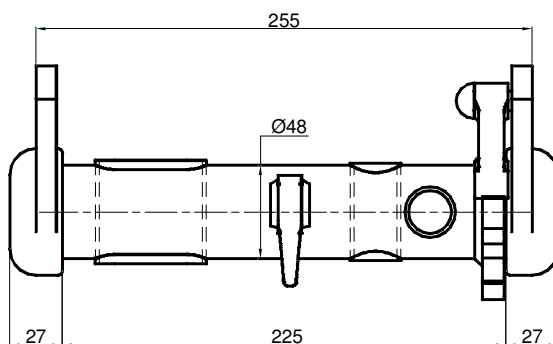
Dx - R

Verricello rinforzato Ø48 grezzi con facciate stampate, fori rinforzati con asola
Raw strengthened winch Ø48 with forged sides support, with slots

Art. 30106862 - Destro / *Right*

Art. 30106863 - Sinistro / *Left*

2,700 kg

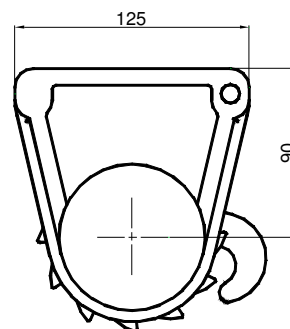
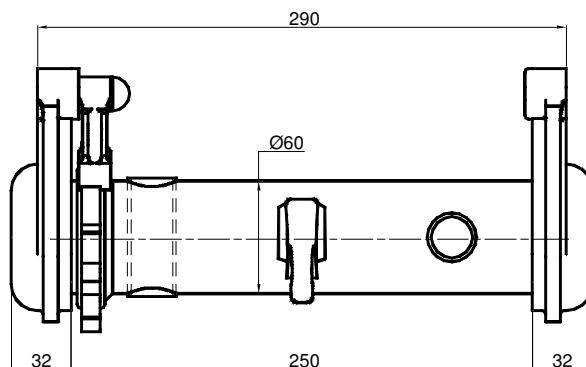


Dx - R

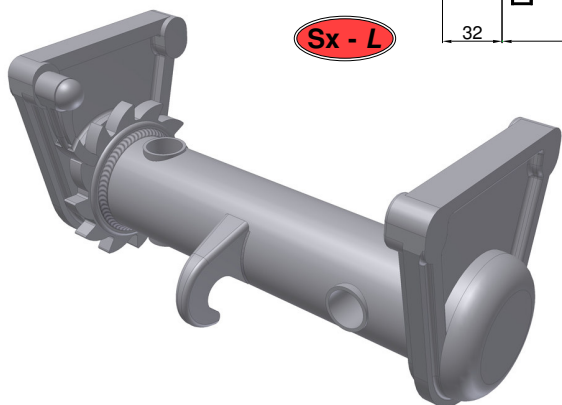
Verricelli Ø60 grezzi con facciate stampate, fori rinforzati
Raw strengthened winch Ø60 with forged sides support, with holes

Art. 30060801 - Destro / Right

Art. 30060800 - Sinistro / Left
5,000 kg



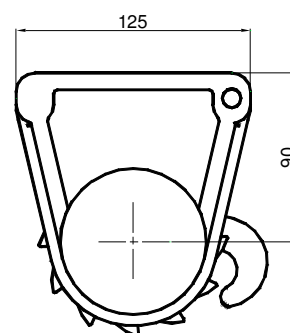
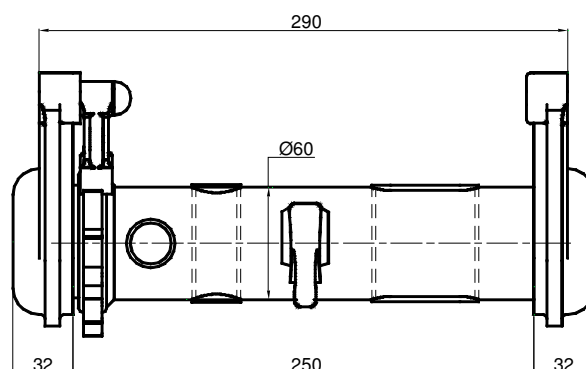
Sx - L



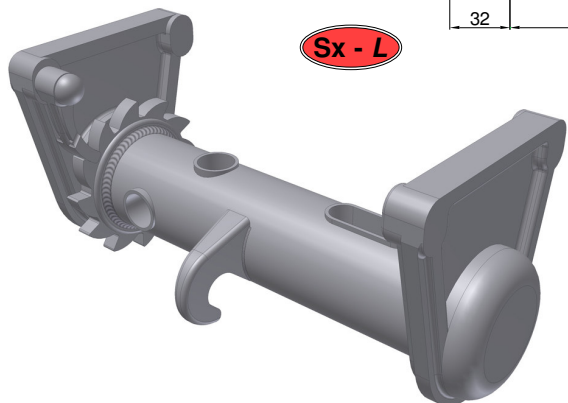
Verricello rinforzato Ø60 grezzi con facciate stampate, fori rinforzati con asola
Raw winch Ø60 with forged sides support, with slots

Art. 30060901 - Destro / Right

Art. 30060900 - Sinistro / Left
5,300 kg



Sx - L



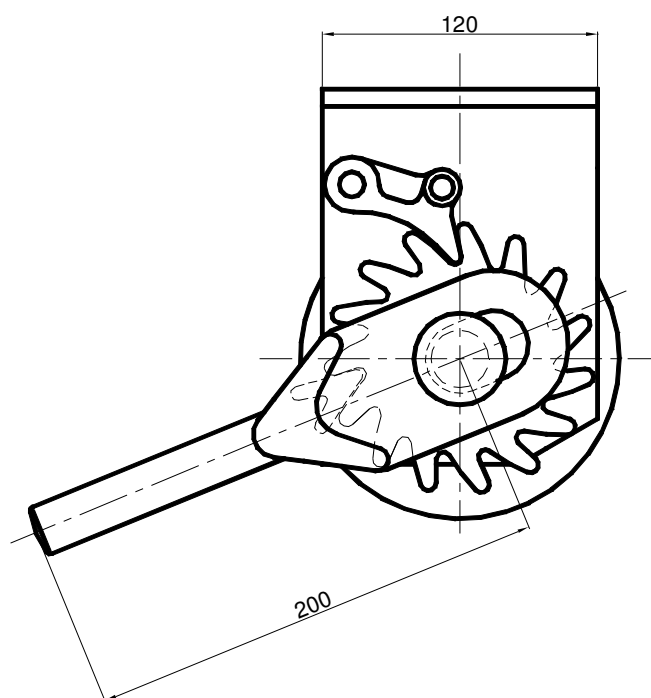
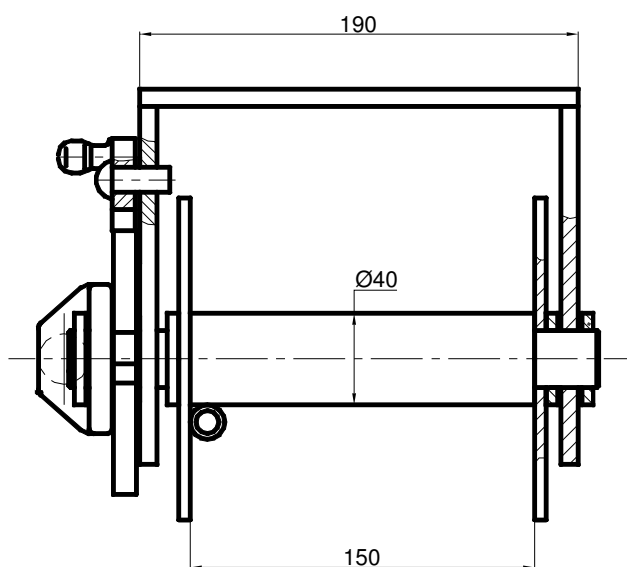
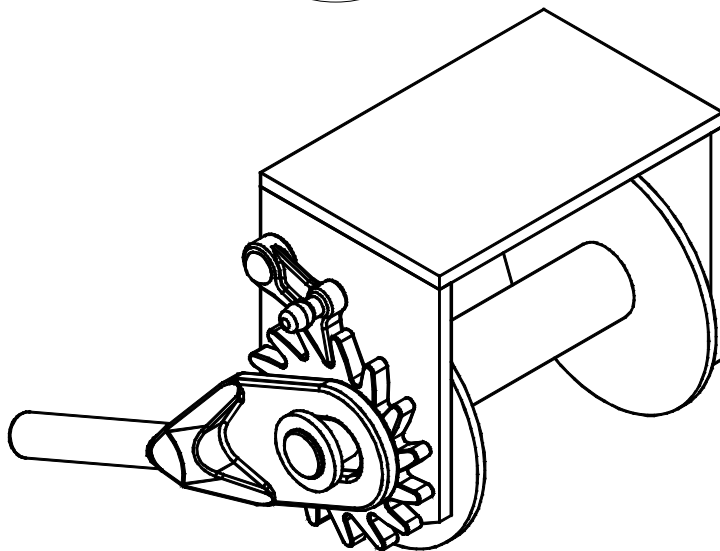
Verricello pesante tipo "Mammùt"
Heavy winch type "Mammoth"
Pouliot lourd type "Mammouth"

Art. 30110073/R

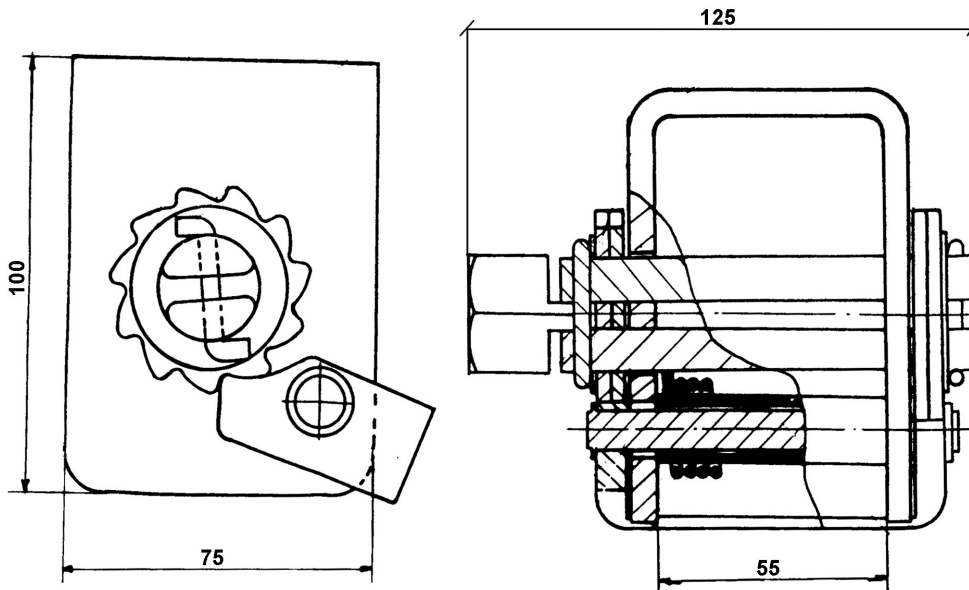
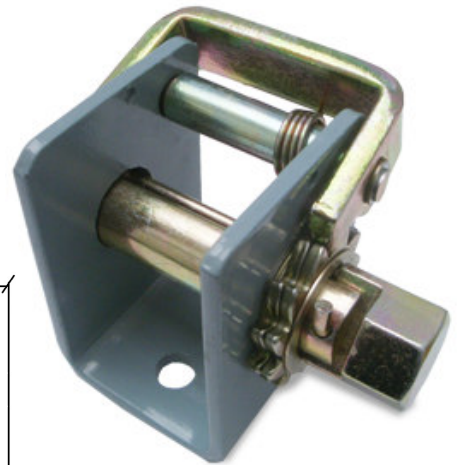
Art. 30110073/L

8,500 kg

Dx - R



Verricello per cinghie da 50 mm capacità 5.000 kg
Hand winch black painted, galvanized axe, for 50 mm webbing belt
 Tour de cablage pour sangle largeur 50 mm résistance 5.000 kg
 Zurrwinde für 50 mm breites gurtband mind. 5.000 kg
Art. 30106848 - 1,600 kg



Verricello per cinghie da 50 mm capacità 5.000 kg
Hand winch black painted, galvanized axe, for 50 mm webbing belt
 Tour de cablage pour sangle largeur 50 mm résistance 5.000 kg
 Zurrwinde für 50 mm breites gurtband mind. 5.000 kg
Art. 30106849 - 1,600 kg

