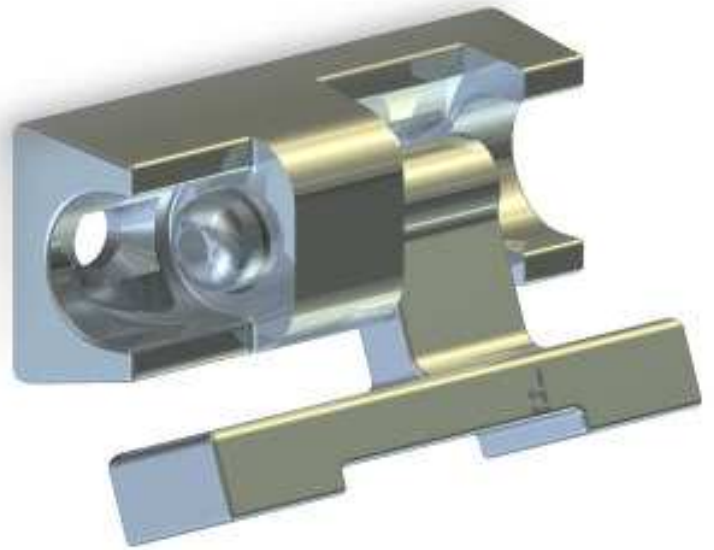


si riserva di apportare senza alcun preavviso qualsiasi modifica alle caratteristiche tecniche indicate nel presente catalogo.

reserves the right to modify the technical data mentioned into this catalogue without notice.

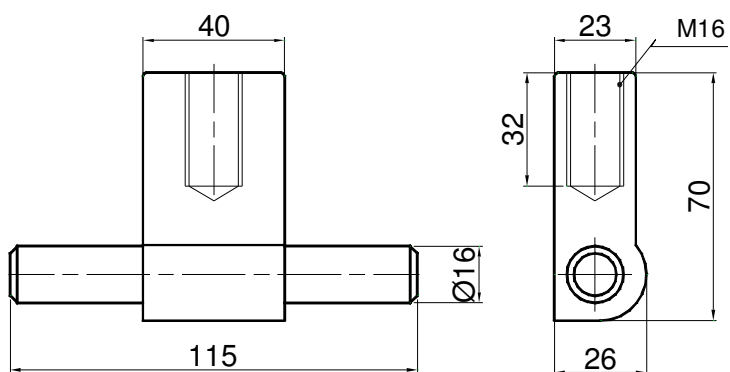


- Cerniere e perni
- Leve comando cerniere
- Saltarello fermaleve e riscontro
- Chiusure a pomolo
- Piastrine per sponde
- Viti
- Perni a molla
- Leve freno per carri agricoli
- Molla a balestra occhio slitta

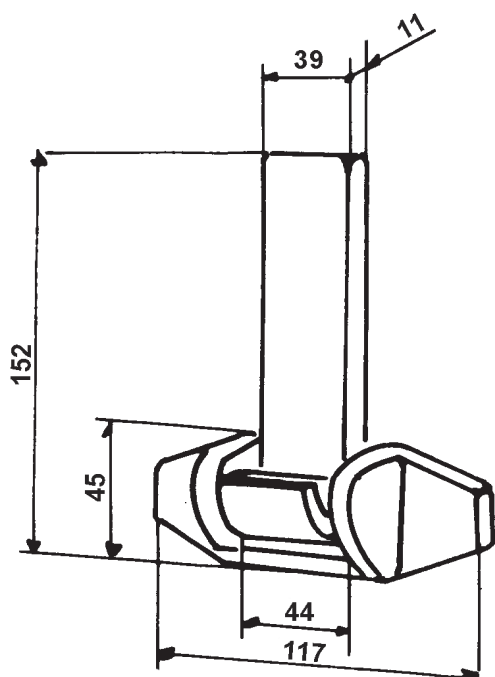
- *Pins and hinges*
- *Upside-down hinges opening levers*
- *Rear side boars pawls*
- *Hknob tipe locks*
- *Plate*
- *Screw*
- *Plated spring bolt*
- *Parking bracke lever*
- *Leaf springs*

3

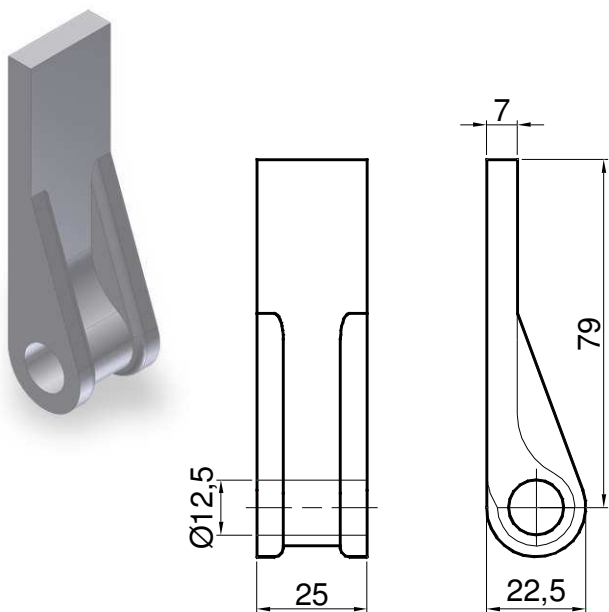
Cerniera "Riedler" zincata
Galvanized "Riedler" Hinge
Art. 15410110 - 0,560 kg



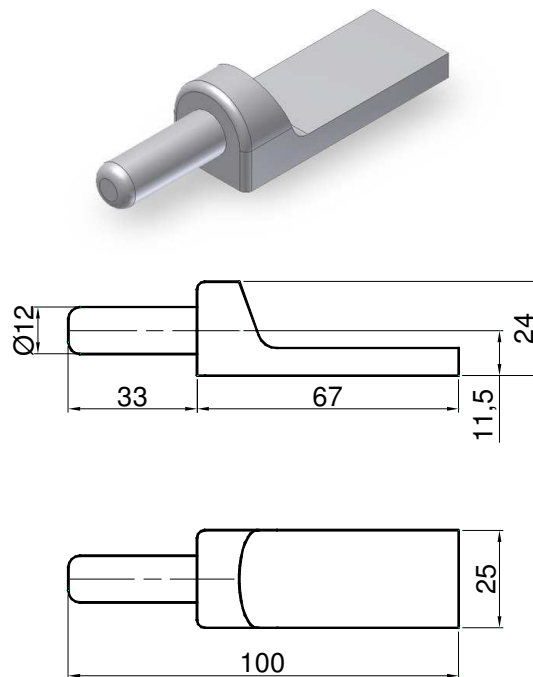
Cerniera registrabile a saldare con gancio verniciata
Painted adjustable hinge
Art. 15162220 - 0,800 kg



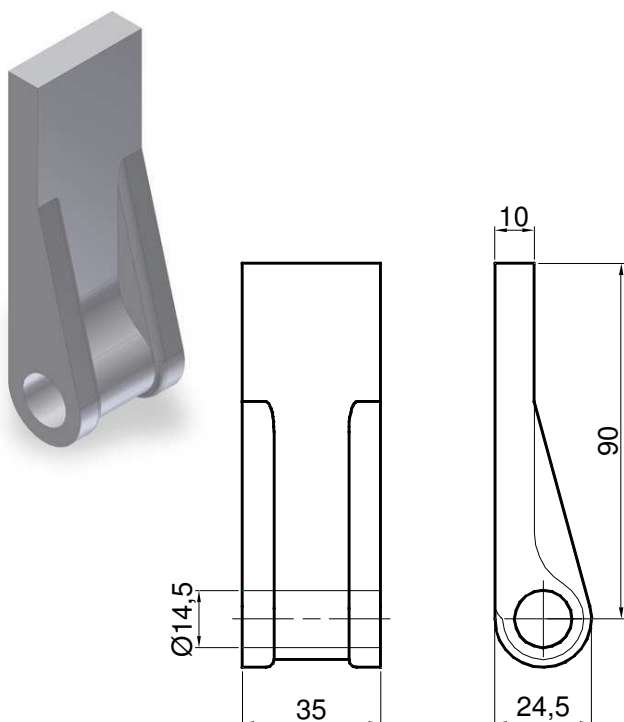
Cerniera tipo "riven" Ø 12
 Hinge type "riven" Ø 12
Art. 15092100 - 0,150 kg



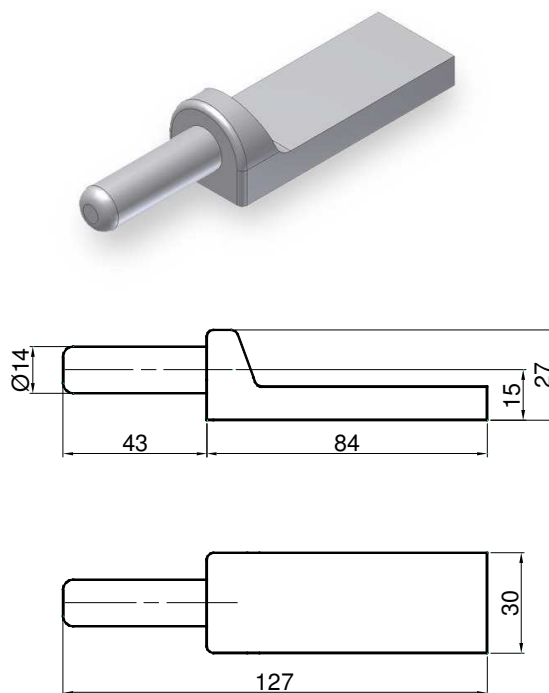
Perno tipo "riven" Ø 12
 Pin type "riven" Ø 12
Art. 20092100 - 0,140 kg



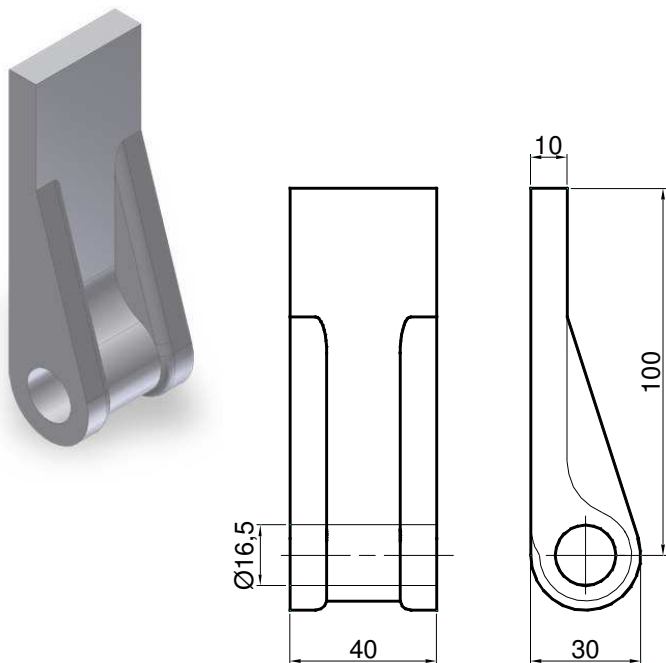
Cerniera tipo "riven" Ø 14
 Hinge type "riven" Ø 14
Art. 15094100 - 0,300 kg



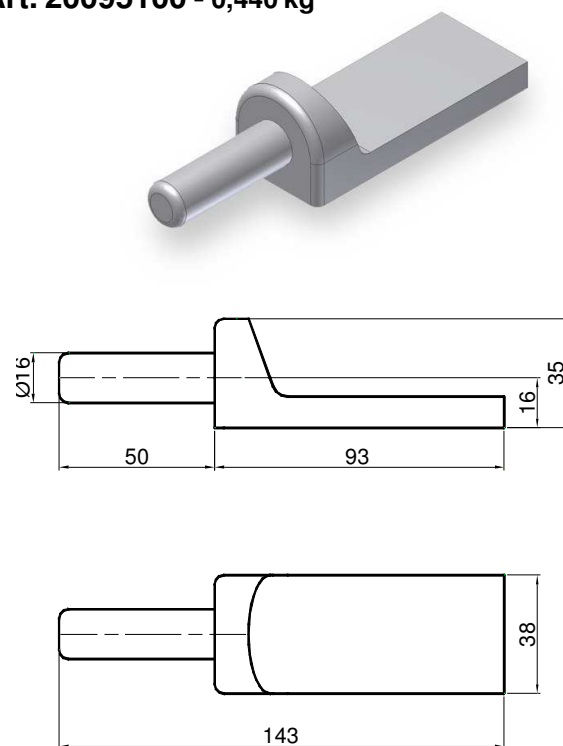
Perno tipo "riven" Ø 14
 Pin type "riven" Ø 14
Art. 20094100 - 0,260 kg



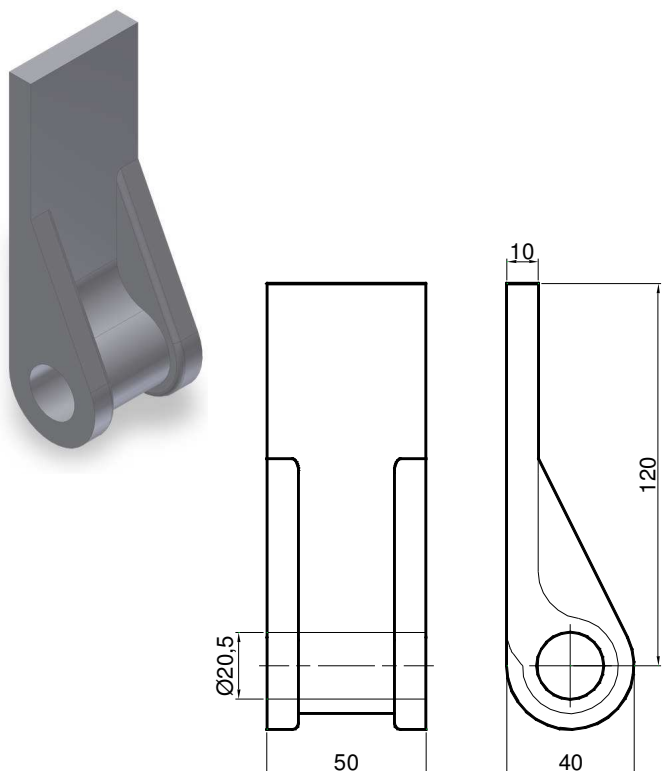
Cerniera tipo "riven" Ø 16
 Hinge type "riven" Ø 16
Art. 15095100 - 0,460 kg



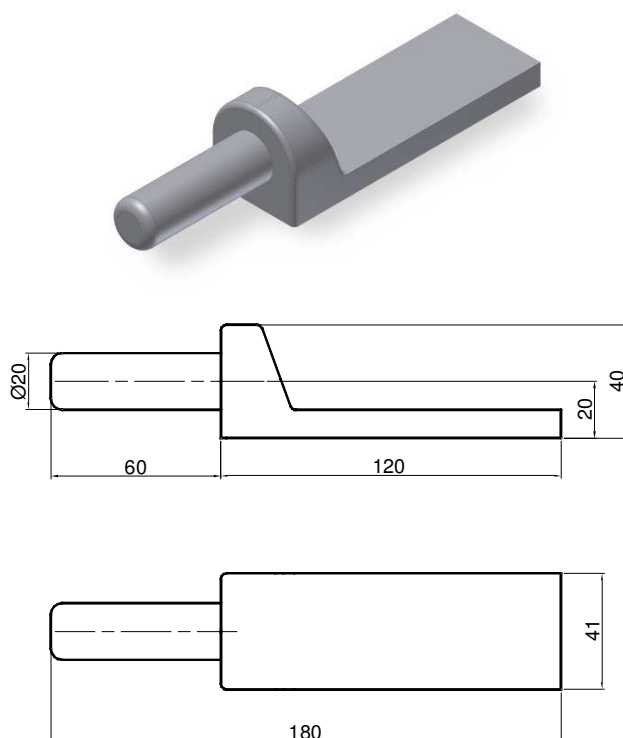
Perno tipo "riven" Ø 16
 Pin type "riven" Ø 16
Art. 20095100 - 0,440 kg



Cerniera tipo "riven" Ø 20
 Hinge type "riven" Ø 20
Art. 15091100 - 0,750 kg



Perno tipo "riven" Ø 20
 Pin tipo "riven" Ø 20
Art. 20091100 - 0,690 kg



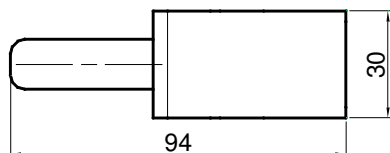
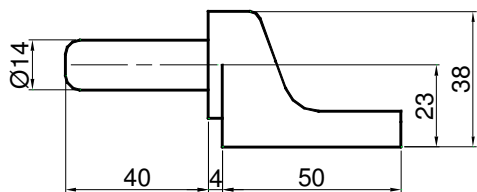
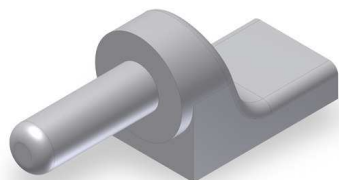
Perno tipo "riven" corto Ø 14

Short pin "riven" type Ø 14

Art. 20096100 - Grezzo / Raw

Art. 20096110 - Zincato / Galvanized

0,260 kg

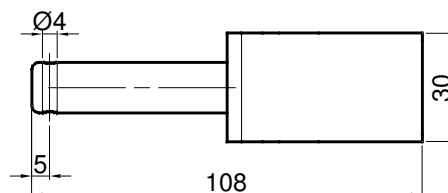
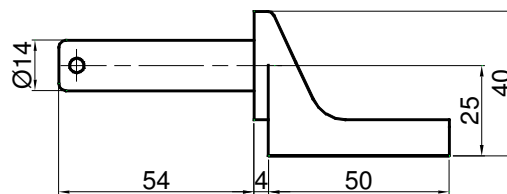
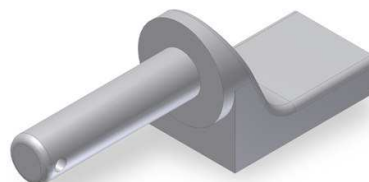


Perno tipo "riven" lungo zincato Ø 14

Galvanized pin long tipe "riven" Ø 14

Art. 20096110/F

0,240 kg



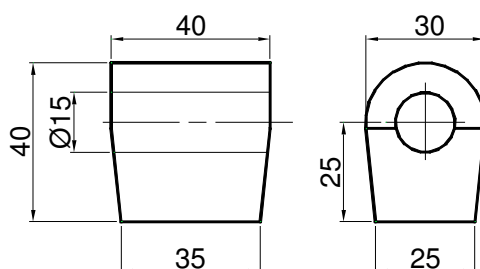
Cerniera bombata tipo "riven" Ø 15

Hinge type "riven" Ø 15

Art. 15096100 - Grezza / Raw

Art. 15096110 - Zincata / Galvanized

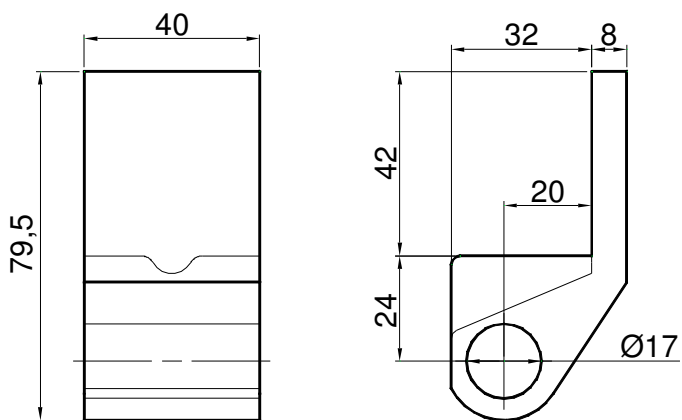
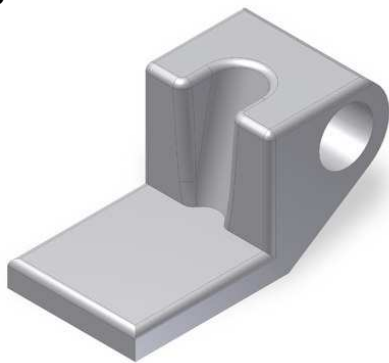
0,230 kg



Cerniera bilaterale grezza Ø 17
Raw bilateral hinge Ø 17

Art. 15098100

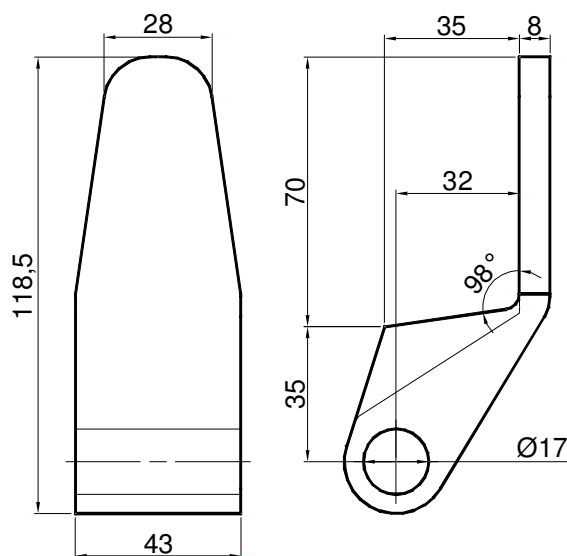
0,340 kg



Cerniera bilaterale grezza Ø 17
Raw bilateral hinge Ø 17

Art. 15016195

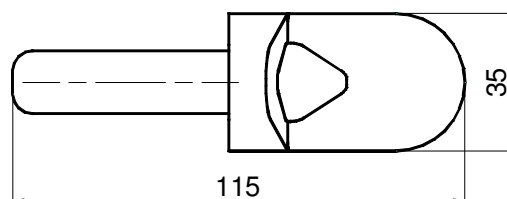
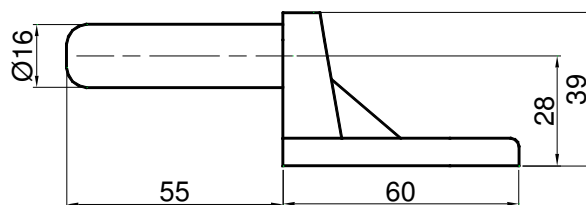
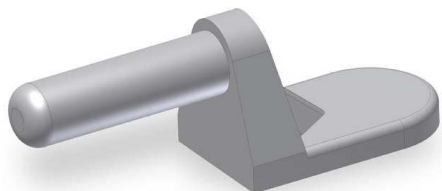
0,500 kg



Perno rialzato forgiato Ø 16
Forged pin Ø 16

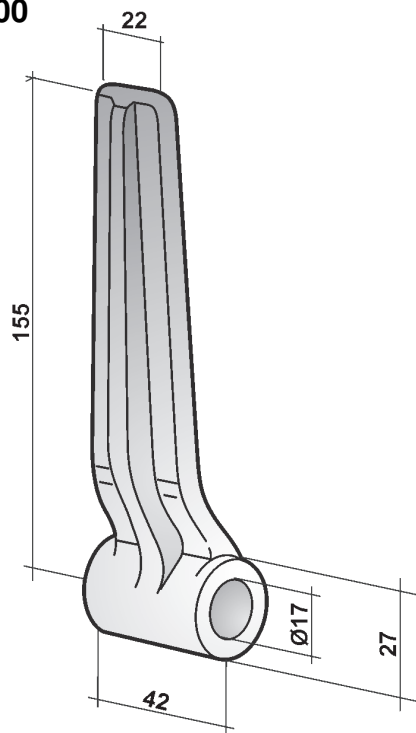
Art. 15060158

0,160 kg



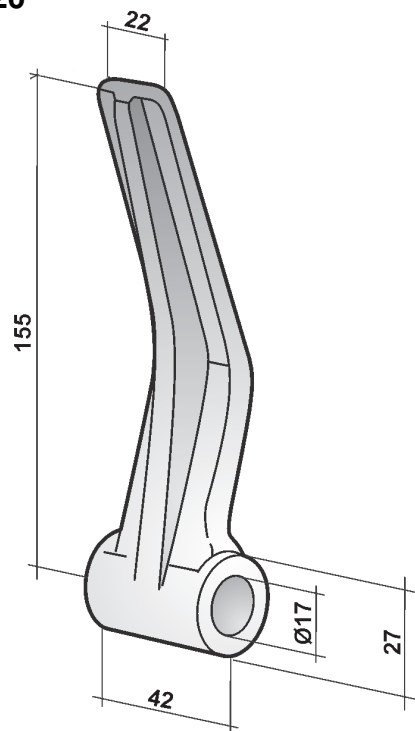
Cerniera grezza tipo Salerno Ø 17
Raw Salerno hinge Ø 17

Art. 15050100
0,370 kg



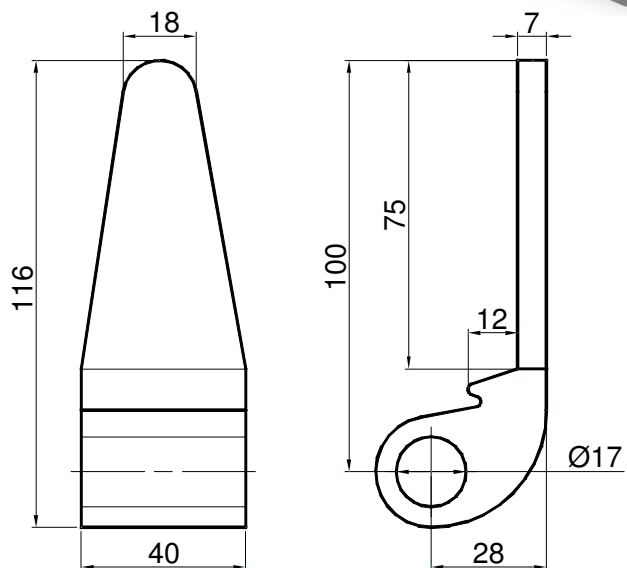
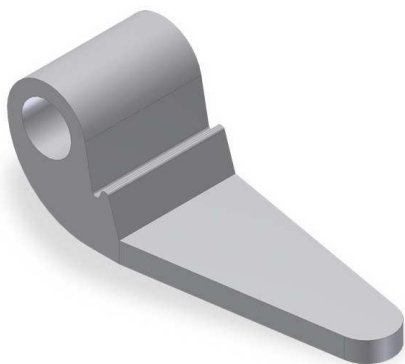
Cerniera grezza tipo Lazio Ø 17
Raw Lazio hinge Ø 17

Art. 15050120
0,370 kg



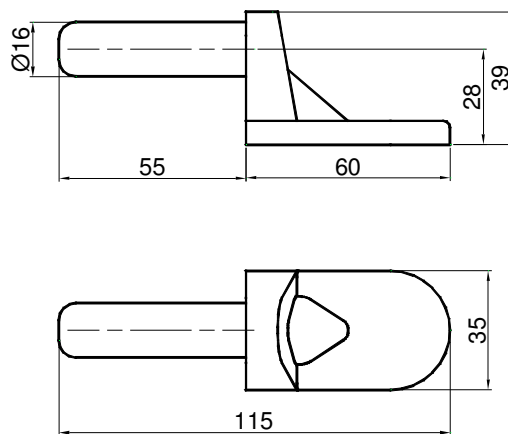
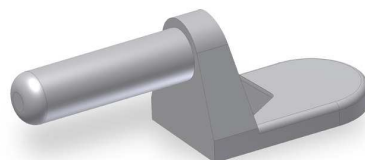
Cerniera grezza forgiata per sponde in ferro Ø 17
Raw hinge Ø 17

Art. 15060250
0,330 kg



Perno rialzato grezzo Ø 16
Raw pin Ø 16

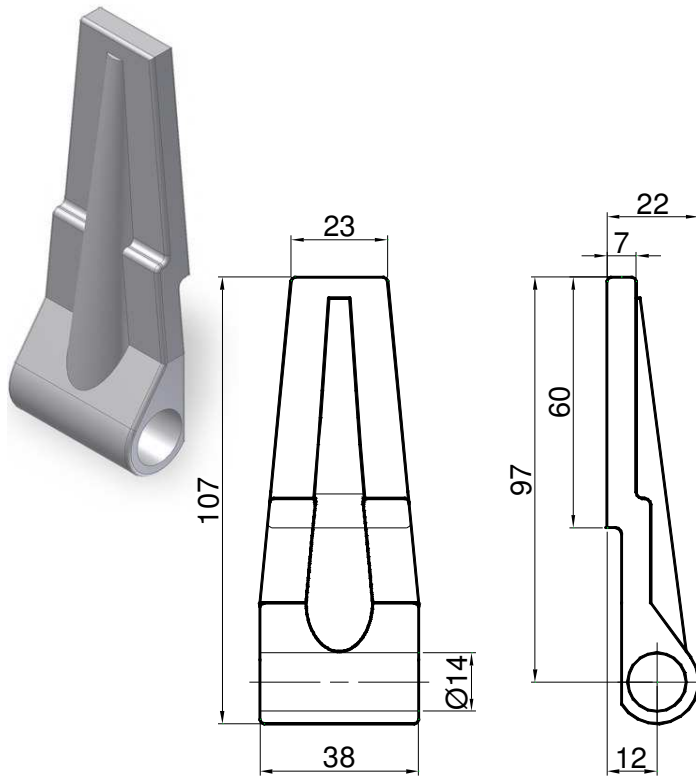
Art. 15060158
0,160 kg



Cerniera sponda bordino media grezza Ø 14

Raw medium hinge Ø 14

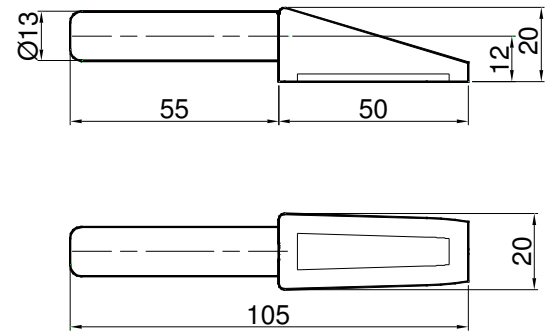
Art. 15263318 - 0,220 kg



Perno grezzo Ø 13

Raw pin Ø 13

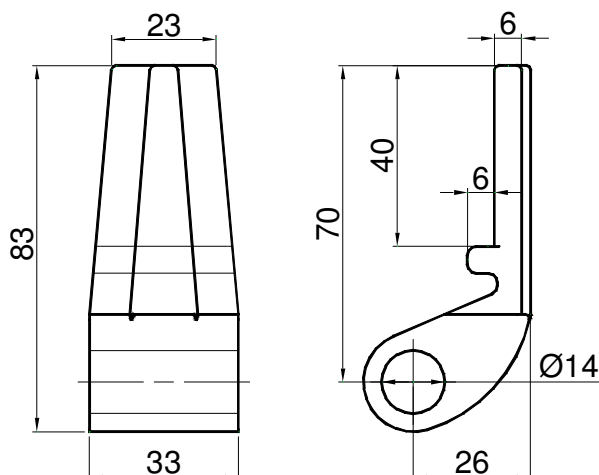
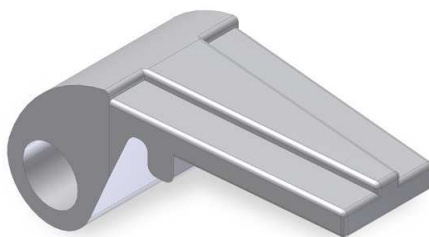
Art. 15263315 - 0,155 kg



Cerniera forgiata grezza Ø 14

Raw hinge Ø 14

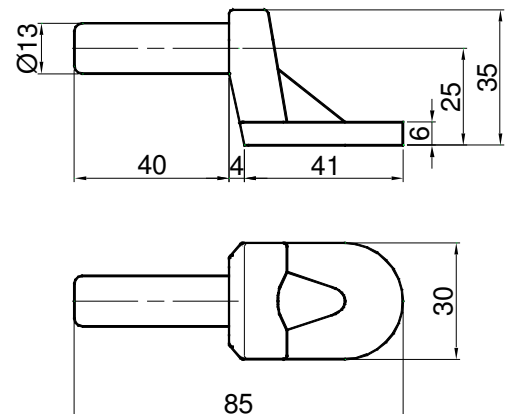
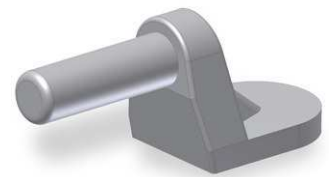
Art. 15060100 - 0,200 kg



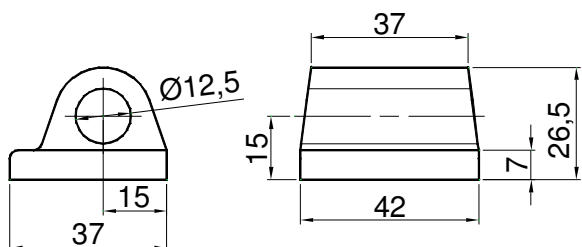
Perno grezzo Ø 13

Raw pin Ø 13

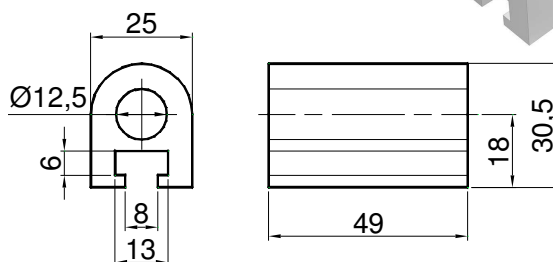
Art. 15060150 - 0,130 kg



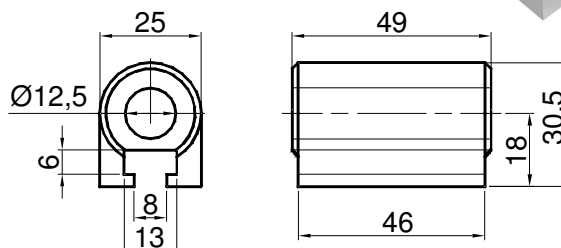
Cerniera forgiata grezza
Forged Hinge raw
Art. 15274100
 0,160 kg



Cerniera in alluminio anodizzata
Aluminium anodize Hinge
Art. 15275100
 0,055 kg

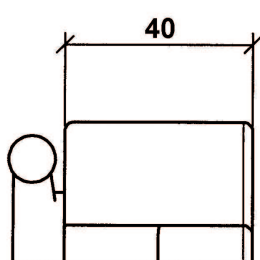
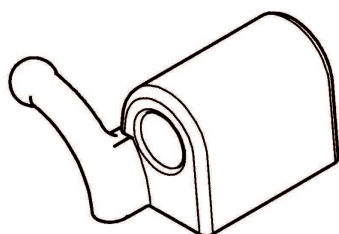


Cerniera in alluminio anodizzata con smusso
Aluminium anodize Hinge with bevel
Art. 15275101
 0,055 kg



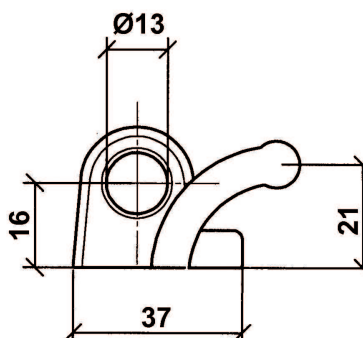
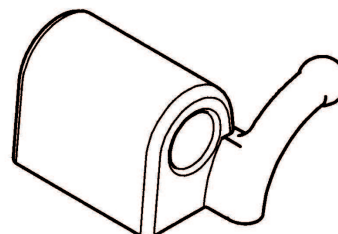
Cerniera sinistra forgiata grezza con gancio
Left forged Hinge raw with hook
 Charnier brut avec gache
Art. 15274102
 0,200 kg

Sx - L



Cerniera destra forgiata grezza con gancio
Right forged Hinge raw with hook
 Charnier brut avec gache
Art. 15274101
 0,200 kg

Dx - R

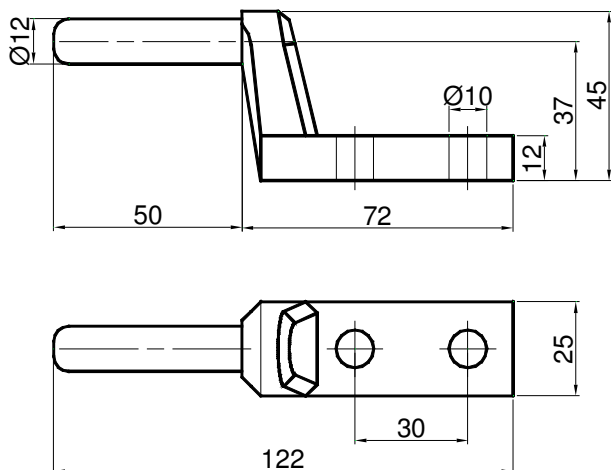
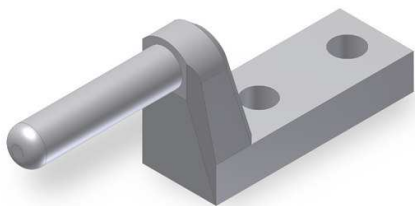


Perno forgiato zincato Ø 12
Galvanized forged pin Ø 12

Art. 15272110

0,220 kg

Bisagra macho cincada
Cheville zinguee
Scharnierebolzen verzinkt

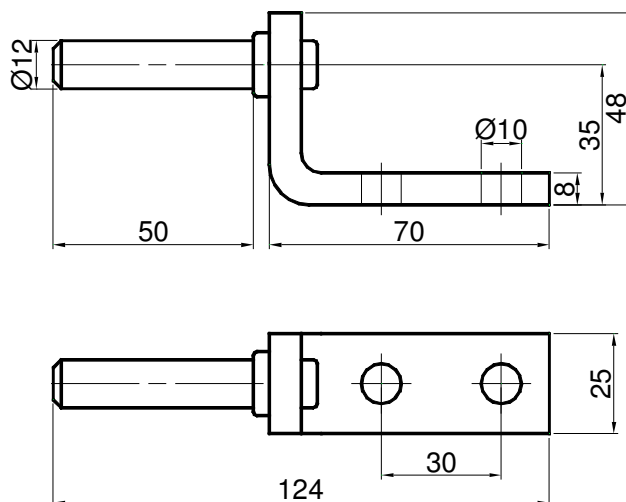
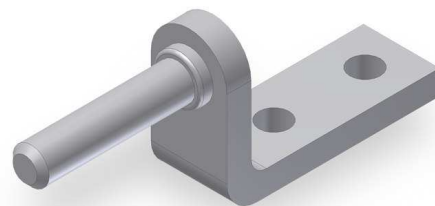


Perno lamiera stampata zincata Ø 12
Galvanized stamped plate pin Ø 12

Art. 15276110

0,200 kg

Bisagra macho cincada
Cheville zinguee
Scharnierebolzen verzinkt

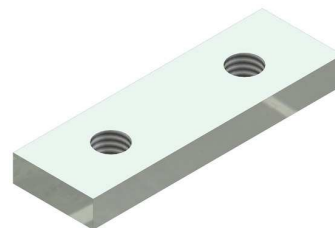
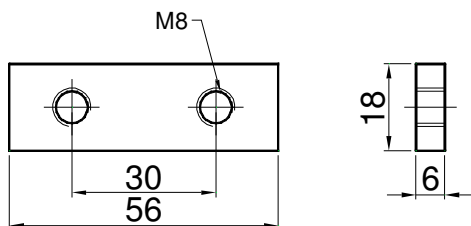


Piastrina zincata interasse 30 mm
Galvanized plate interaxis 30 mm

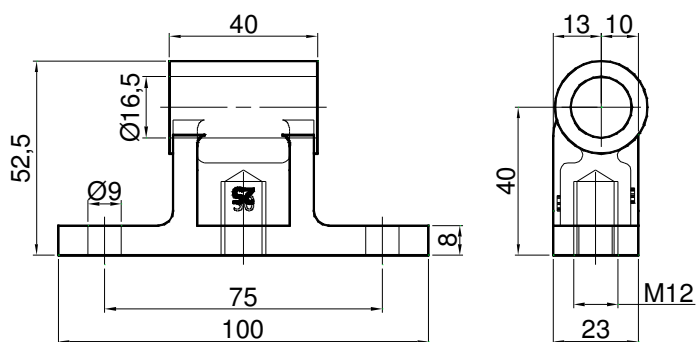
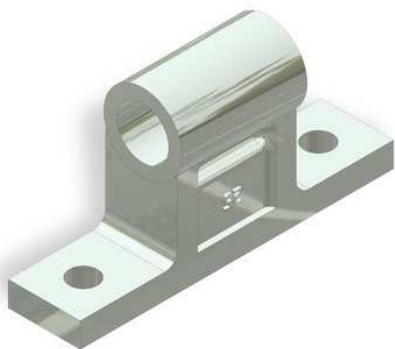
Art. 15270110

0,040 kg

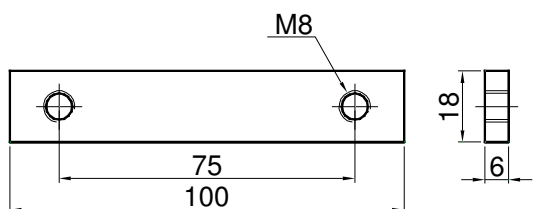
Platina cincada espacio 30 mm
Contre-plaque zinguee enteraxis 30 mm
Gewinde platte verzinkt 30 mm



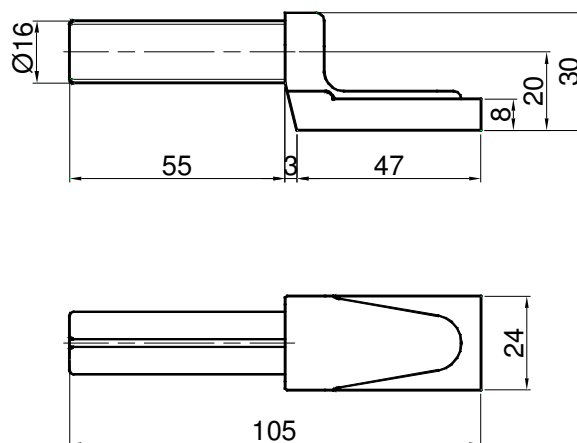
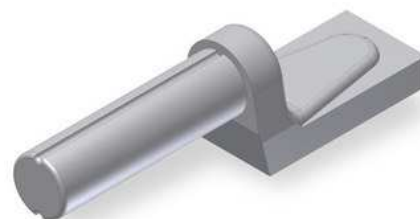
Cerniera tipo 25/30 zincata
Galvanized hinge type 25/30
 Charnier de ridelle tipe 25/30 zingue
Scharnier 25/30 verzinkt
Art. 15306110 - 0,280 kg



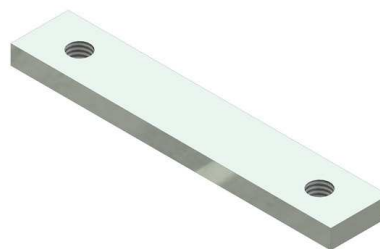
Piastrina zincata interasse 75 mm
Galvanized plate interaxis 75 mm
Art. 15307110
0,070 kg



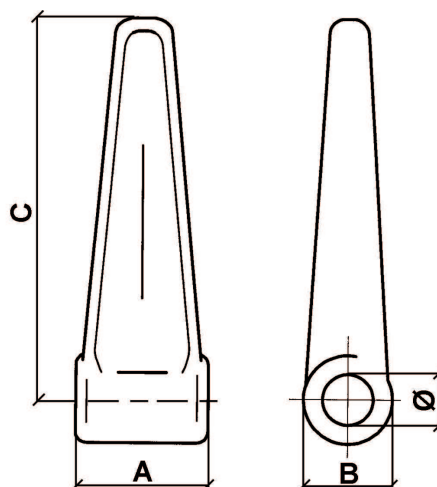
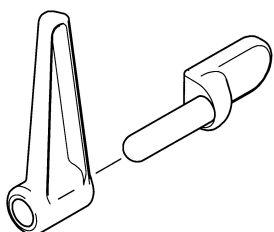
Perno forgiato grezzo Ø 16
Raw sideboard pin Ø 16
 Gond brut Ø 16
Scharnierbolzen roh Ø 16
Art. 20122100 - 0,190 kg



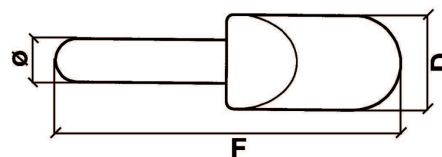
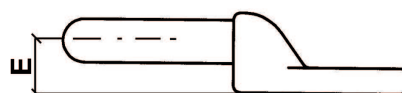
Platina cincada espacio 75 mm
Contre-plaque zinguee enteraxis 75 mm
 Gewinde platte verzinkt 75 mm



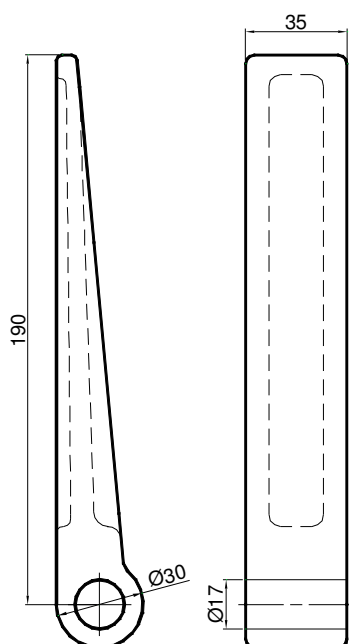
CERNIERE BOMBATE CONVEX HINGE						
Articolo Article	Descrizione Description	Ø	A	B	C	kg
15033312	Leggero Light	12	30	20	90	0,130
15033200	Media Medium	14	34	24	110	0,160
15033260	Pesante Heavy	16	40	26	120	0,250



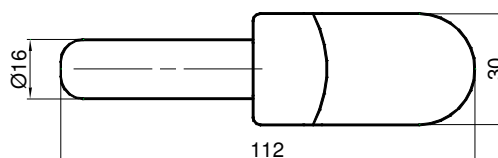
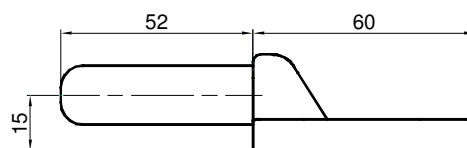
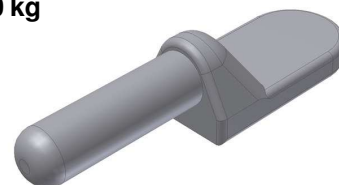
PERNI PIN						
Articolo Article	Descrizione Description	Ø	D	E	F	kg
20033225	Leggero Light	11	30	10	78	0,110
20033240	Media Medium	13	30	13	100	0,120
20033220	Pesante Heavy	15	30	15	100	0,200



Cerniera piatta pesante grezza
Raw heavy flat hinge
Art. 15033320 - 0,610 kg



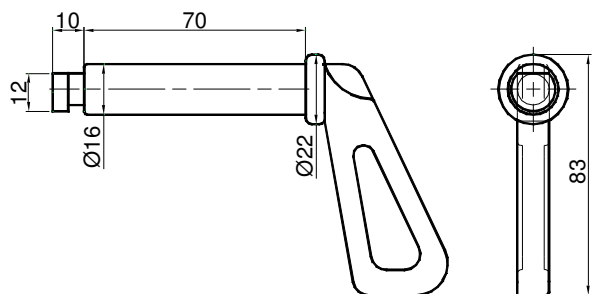
Perno Ø16 grezzo
Raw Ø16 pin
Art. 20033280 - 0,280 kg



Maniglia stopped grezza
Raw stopped handle

Art. 15163352

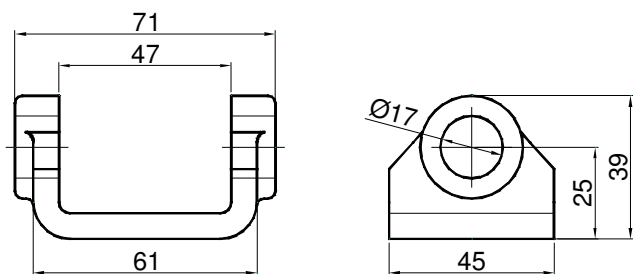
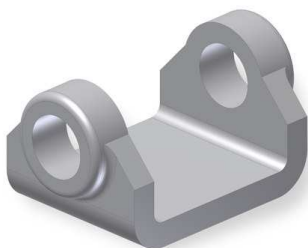
0,260 kg



Supporto basso grezzo H=25
Rae low support H=25

Art. 15016100

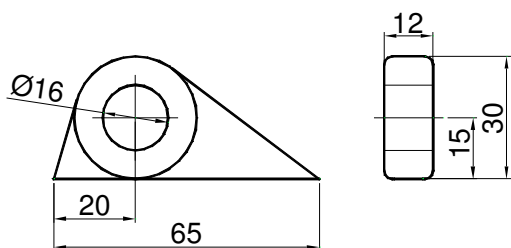
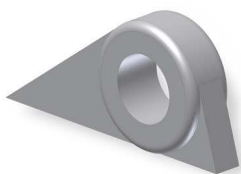
0,240 kg



Orecchietta pesante grezza
Raw heavy ear

Art. 15016112

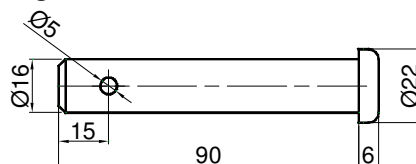
0,085 kg



Perno grezzo Ø16 con foro
Raw pin Ø16 with hole

Art. 15016200

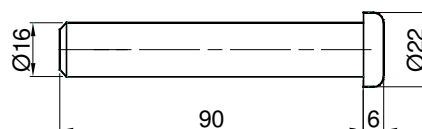
0,150 kg



Perno grezzo Ø16 senza foro
Raw pin Ø16 without hole

Art. 15016201

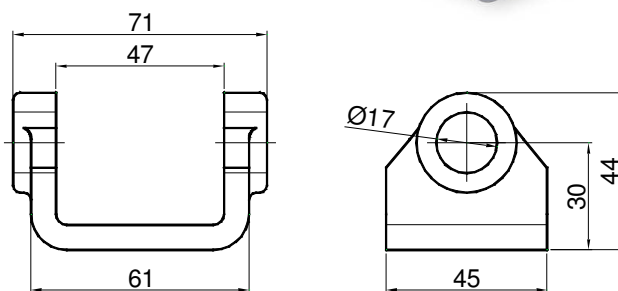
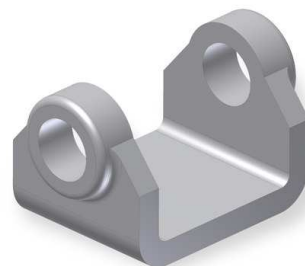
0,160 kg



Supporto alto grezzo H=30
Raw high support H=30

Art. 15016104

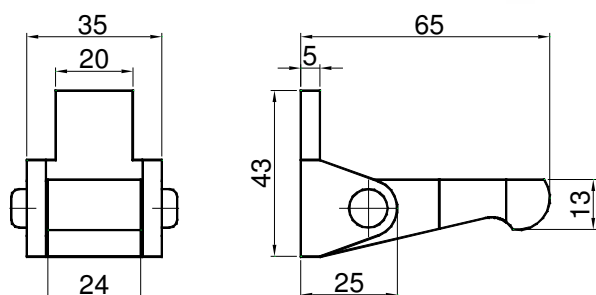
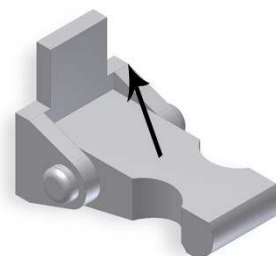
0,270 kg



Saltarello ferma leva grezzo
Raw click

Art. 15016221

0,215 kg

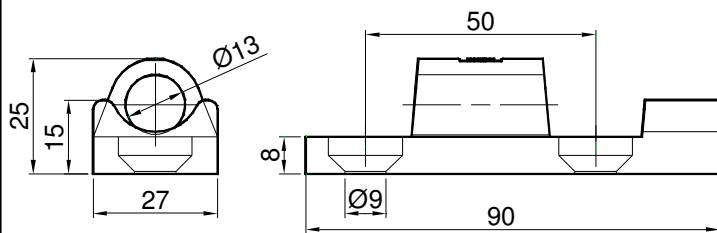
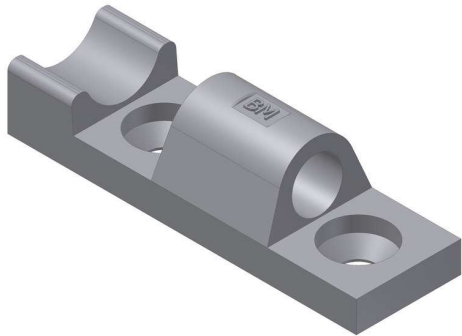


Cerniera Tir leggera BM / *Light Tir hinge BM*

Art. 15282100 - Grezza / *Raw / Brut*

Art. 15281110 - Zincata / *Galvanized / Zinguè*

Art. 15282310 - Inox / *Stainless steel / Nirosta*
0,210 kg



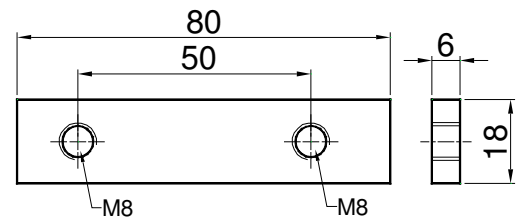
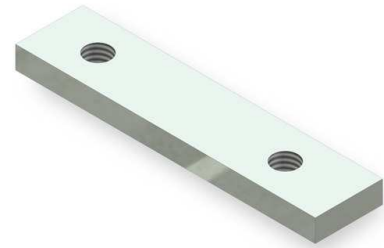
Piastra zincata Int. 50

Galvanized Steel sheet Int. 50

Comtreplaque acier zing. Int. 50

Gewinde platte verzinkt Int. 50

Art. 15279110 - 0,075 kg

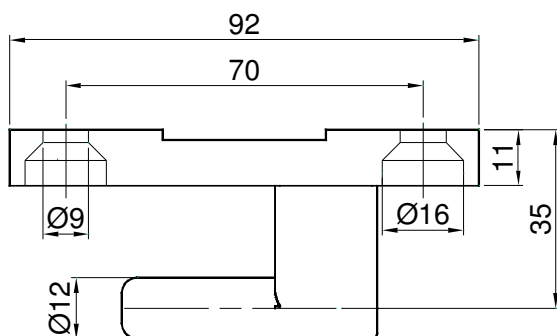
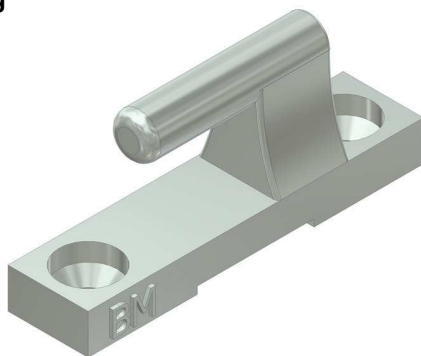


Perno BM Tir leggero / *Light Tir pin BM*

Art. 15280110 - Zincata / *Galvanized / Zinguè*

Art. 15280310 - Inox / *Stainless steel / Nirosta*

0,240 kg



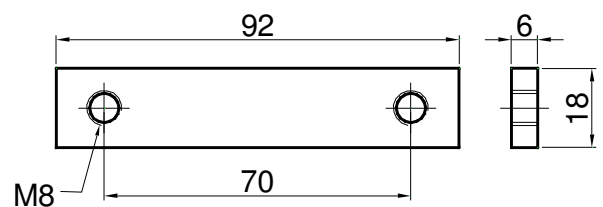
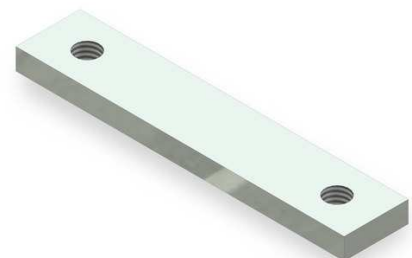
Piastra zincata Int. 70

Galvanized Steel sheet Int. 70

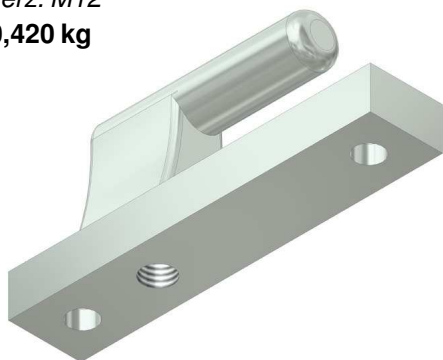
Comtreplaque acier zing. Int. 70

Gewinde platte verzinkt Int. 70

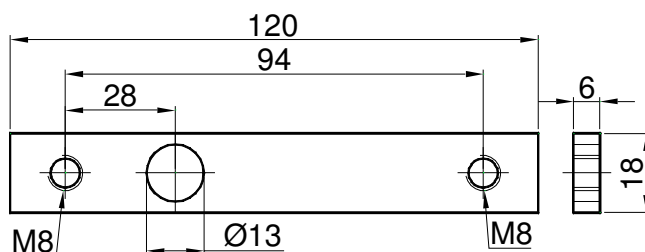
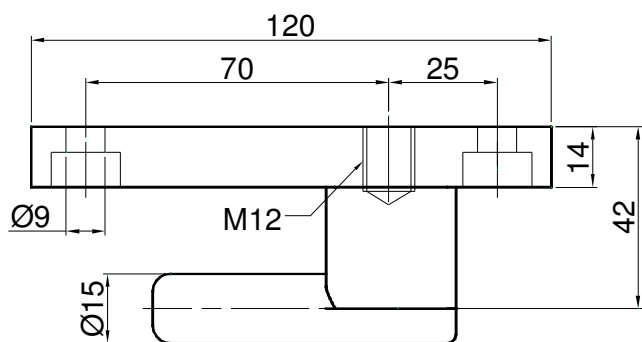
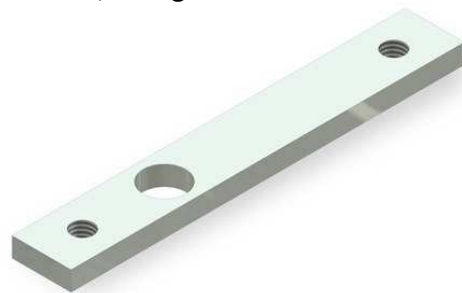
Art. 15278110 - 0,076 kg



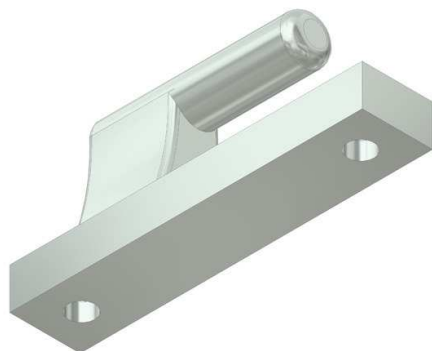
Perno Tir pesante BM con foro M12 zincata
Galvanized Heavy Tir pin BM with hole M12
 Contreplaque BM zing. trou M12
Gewinde platte BM verz. M12
Art. 15383110 - 0,420 kg



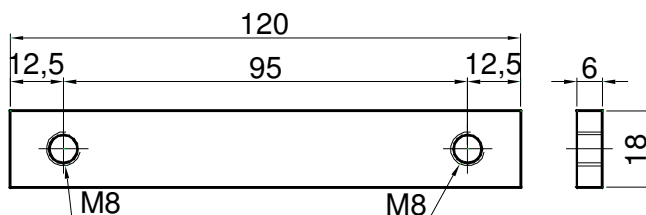
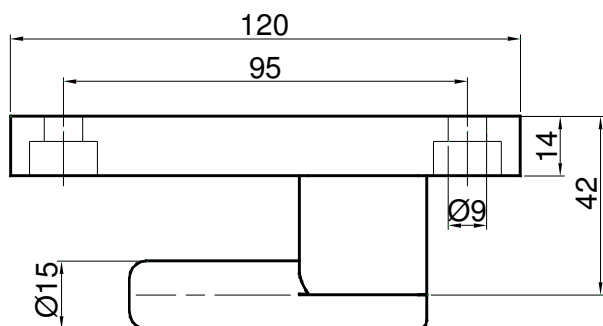
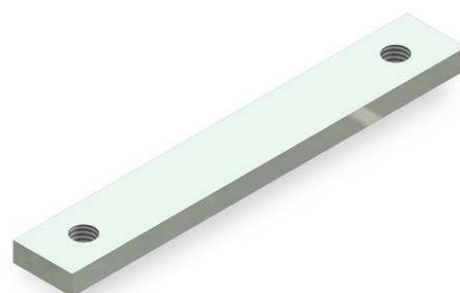
Piastra zincata con foro per M12 Int. 95
Galvanized Steel sheet drill hole M12 Int.95
 Contreplaque acier zing. trou M12 Int. 95
Gewinde platte verzinkt M12 Int. 95
Art. 15345110 - 0,100 kg



Perno Tir pesante BM / *Heavy Tir pin BM*
Art. 15290110 - Zinc. / Zingùè / Galvanized
Art. 15290310 - Inox / Stainless steel / Nirosta
0,420 kg



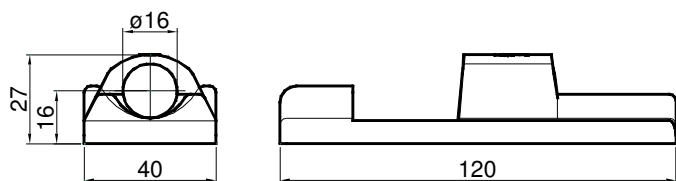
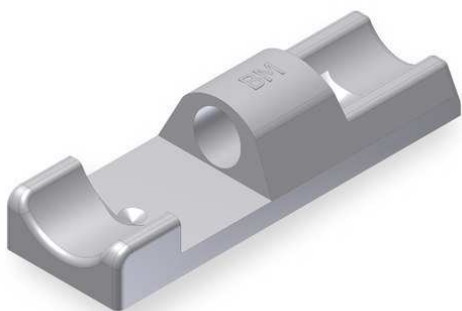
Piastra zincata Int. 95
Galvanized Steel sheet Int. 95
 Contreplaque acier zing. Int. 95
Gewinde platte verzinkt Int. 95
Art. 15284110 - 0,100 kg



Cerniera Tir pesante BM bassa H=16 senza fori
Heavy Tir hinge BM low H=16 with fixing holes closed

Art. 15292101- Grezza / Raw / Brut

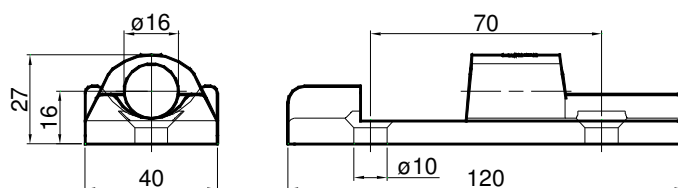
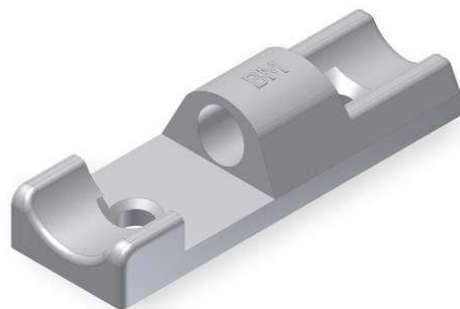
0,400 kg



Cerniera Tir pesante BM bassa H=16 con fori
Heavy Tir hinge low BM H=16 with fixing holes

Art. 15292102- Grezza / Raw / Brut

Art. 15292103 - Zincata / Galvanized / Zinguè
0,400 kg

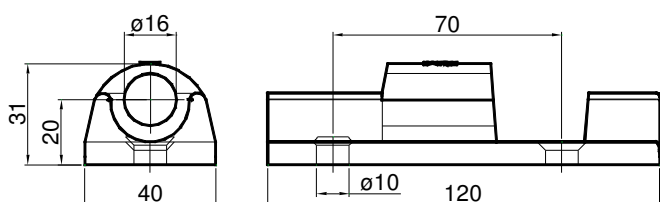
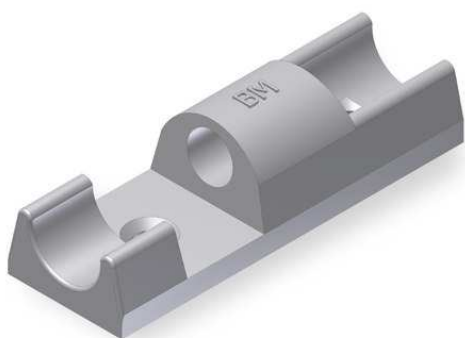


Cerniera Tir pesante BM alta H=20 con fori
Heavy Tir hinge BM high H=20 with fixing holes

Art. 15292100- Grezza / Raw / Brut

Art. 15291110 - Zinc. / Zinguè / Galv.

Art. 15292300 - Inox / Stainless steel / Nirosta
0,410 kg



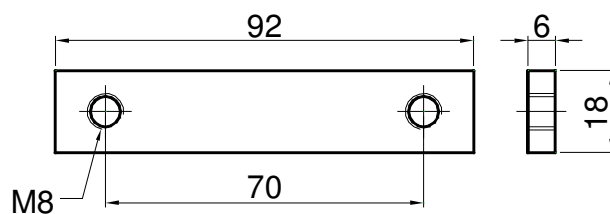
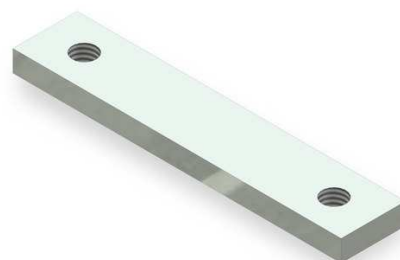
Piastra zincata Int. 70

Galv. Steel sheet Int. 70

Comtreplaque acier zing. Int. 70

Gewinde platte verzinkt Int. 70

Art. 15278110 - 0,076 kg



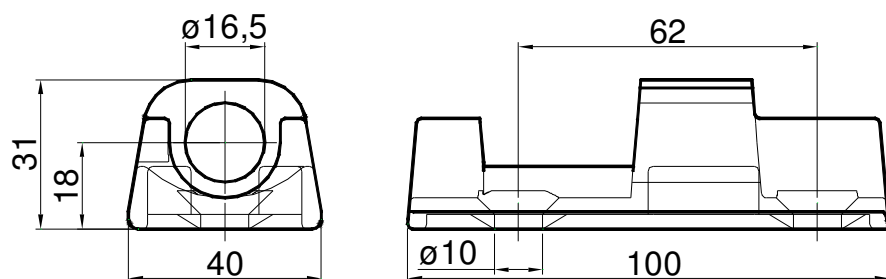
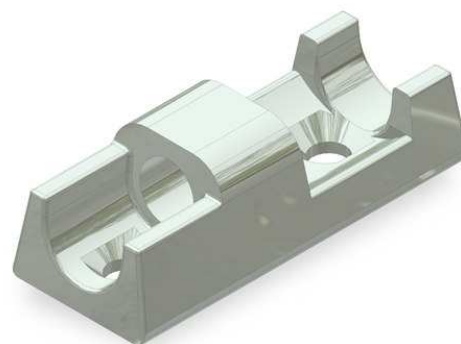
Cerniera tipo F per sponde di alluminio
Hinge type F for aluminium side board

Art. 15293100 - Grezza / Raw / Brut

Art. 15293110 - Zincata / Galvanized / Zinguè

Art. 15293310 - Dacromet

0,300 kg

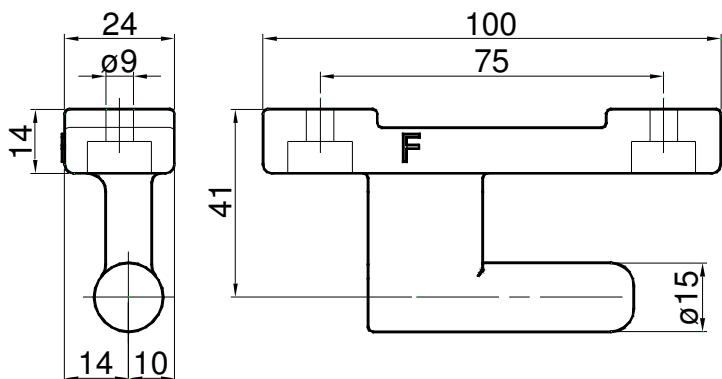
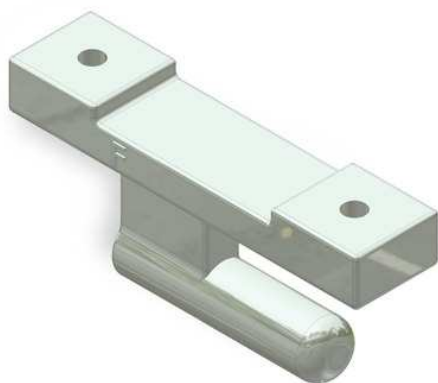


Perno tipo F per sponde in alluminio
Pin type F for aluminium side board

Art. 15294110 - Zincata / Galvanized / Zinguè

Art. 15294310 - Dacromet

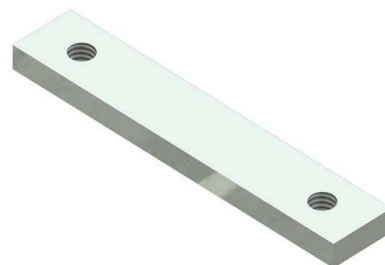
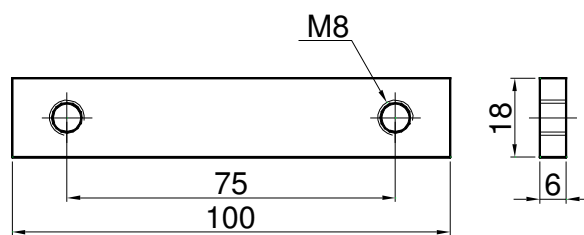
0,340 kg



Piastrina zincata interasse 75
Galvanized plate interaxis 75

Art. 15307110

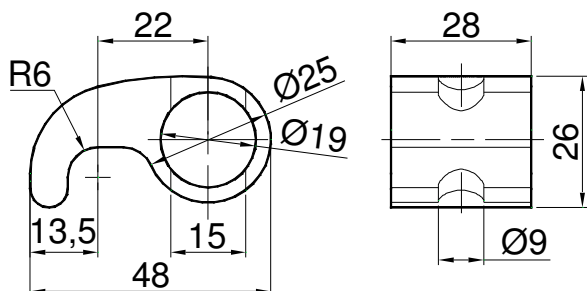
0,190 kg



Paletta di gancio tipo Reall grezza
Raw hook paddle type Reall

Art. 15162850

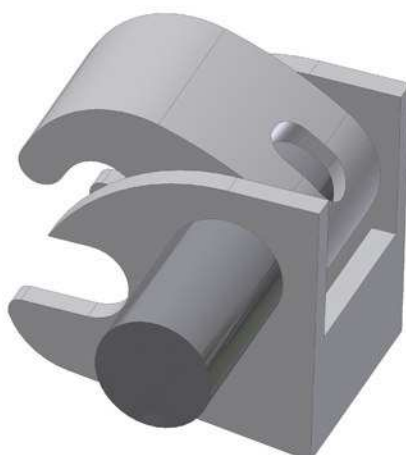
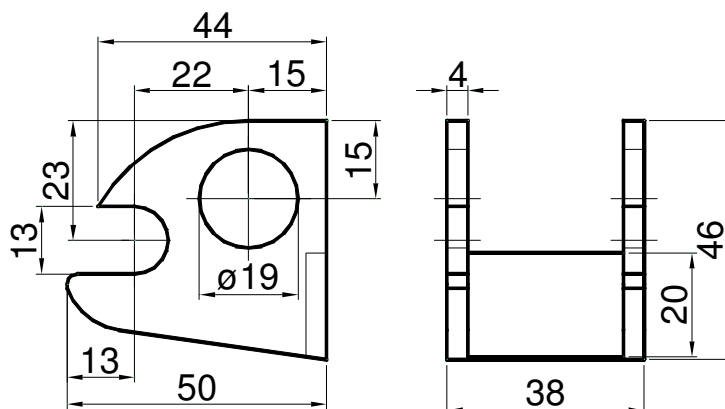
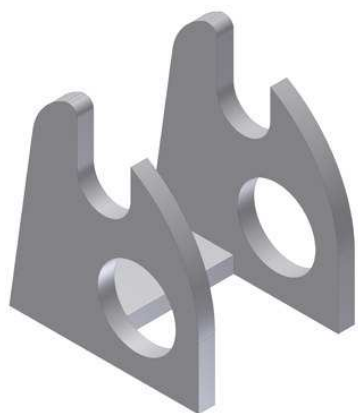
0,140 kg



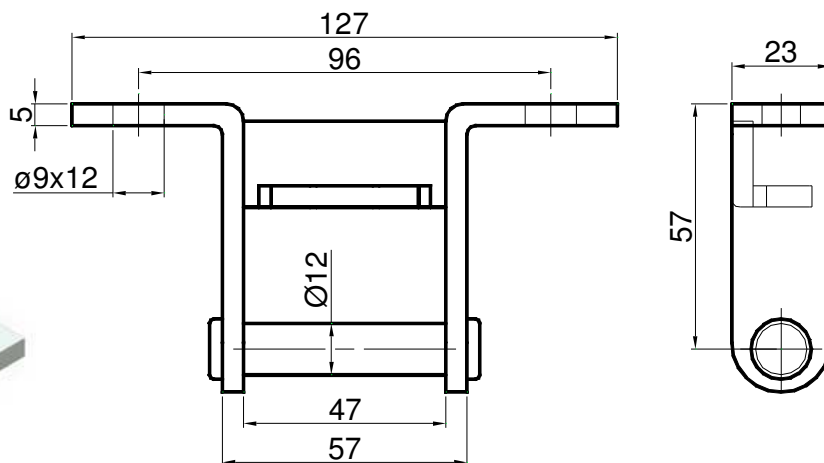
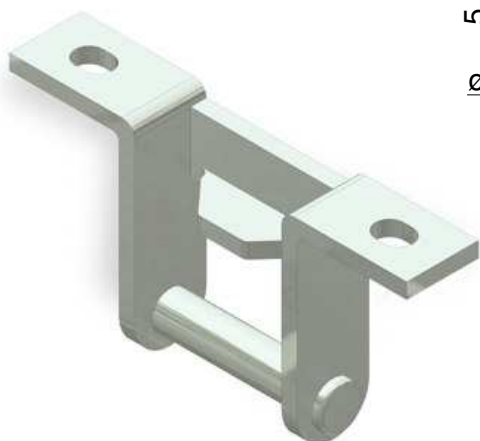
Supporto guida aste tipo Reall grezza
Raw support for hook paddle type Reall

Art. 15263374

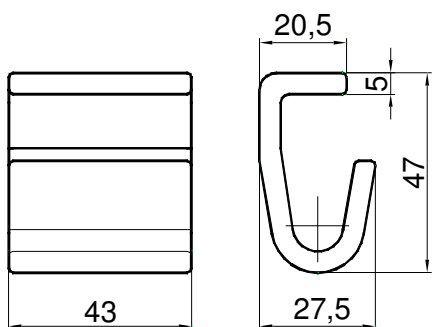
0,240 kg



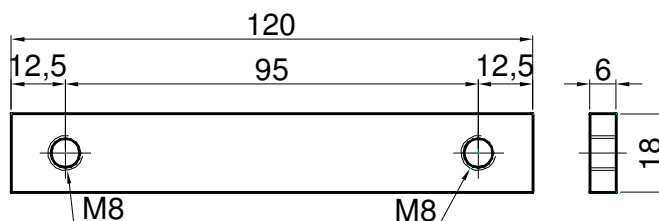
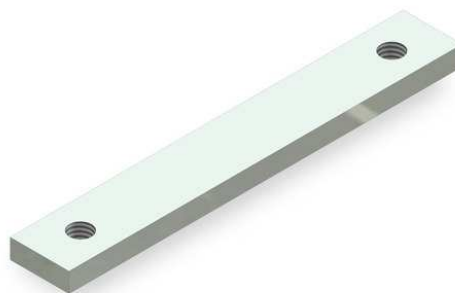
Cerniera zincata tipo R
Aluminium side board hinge galvanized type R
 Charniere de ridelle zingué R
Bisagra cincada para baranda de aluminio R
 Scharniere verzinkt R
Art. 15298110 - 0,260 kg



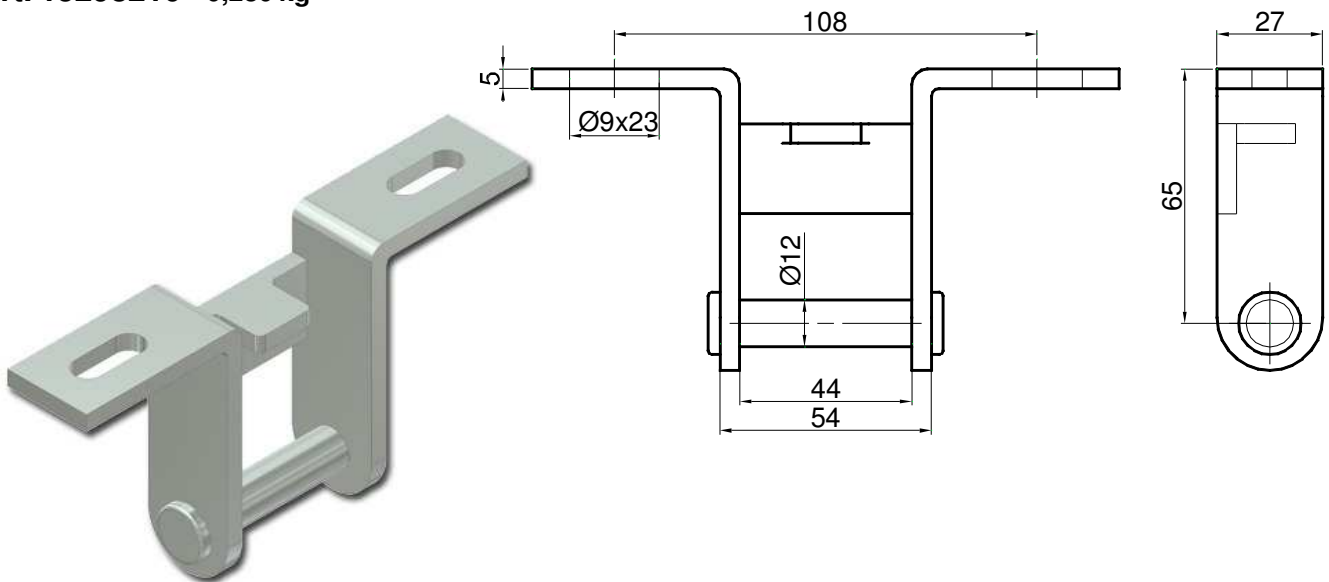
Scontrino grezzo tipo R
Hook raw R type
 Crochet brut R
Scharnier lager roh R
 Sierre chapa crudo R
Art. 15300100 - 0,190 kg



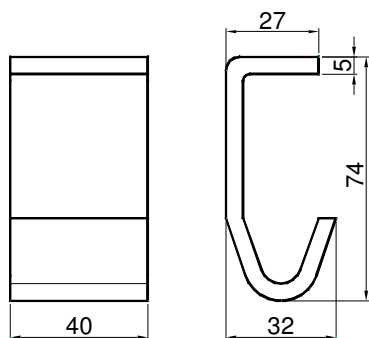
Piastra zincata Int. 95
Galv. Steel sheet Int. 95
 Comtreplaque acier zing. Int. 95
Gewinde platte verzinkt Int. 95
Art. 15284110 - 0,100 kg



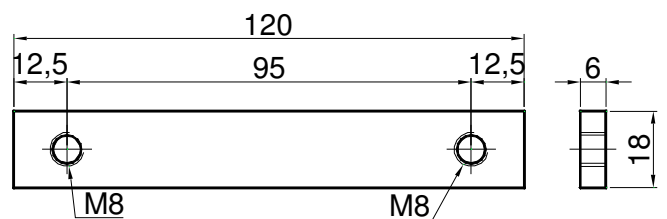
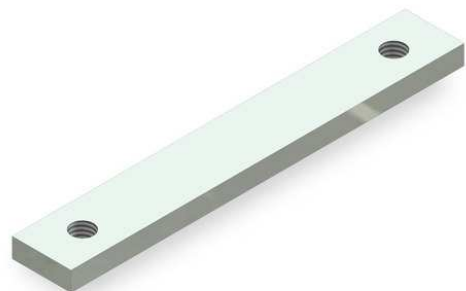
Cerniera zincata tipo T
Aluminium side board hinge galvanized type T
 Charniere de ridelle zingué
Bisagra cincada para baranda de aluminio
 Scharniere verzinkt
Art. 15298210 - 0,280 kg



Scontrino grezzo tipo T
Hook raw T type
 Crochet brut T
Scharnier lager roh T
 Sierre chapa crudo T
Art. 15300200 - 0,200 kg

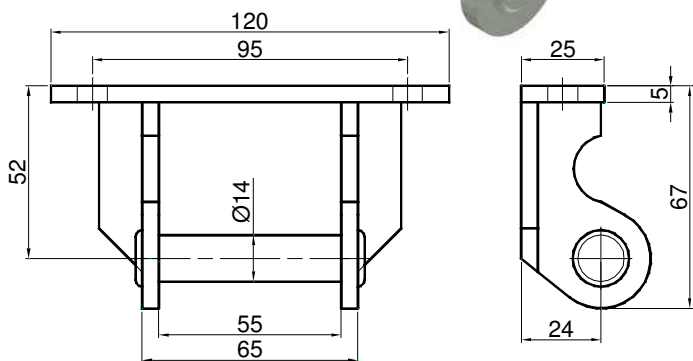
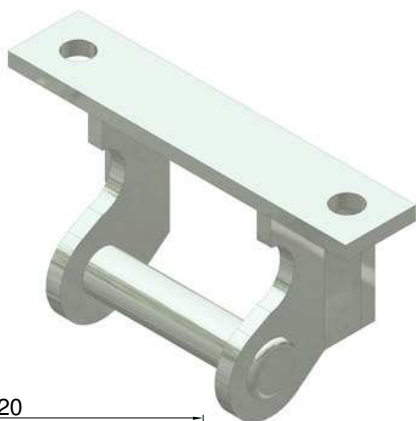


Piastra zincata Int. 95
Galv. Steel sheet Int. 95
 Contreplaque acier zing. Int. 95
Gewinde platte verzinkt Int. 95
Art. 15284110 - 0,100 kg

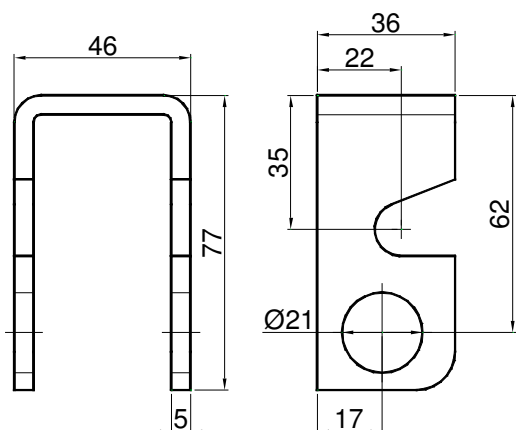


Cerniera doppia apertura pesante saldata zincata
Welded aluminium side board heavy hinge galvanized
 Charniere de ridelle zingué
Bisagra cincada para baranda de aluminio
 Scharniere verzinkt

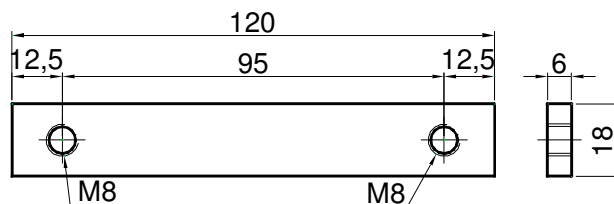
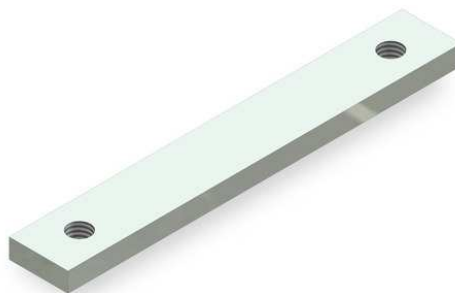
Art. 15165160
0,300 kg



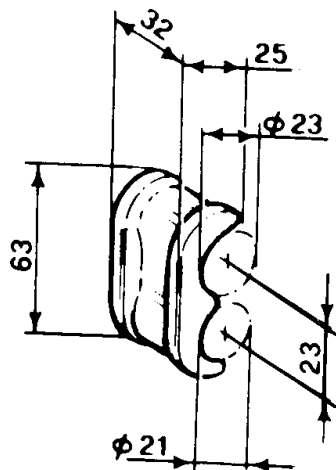
Supporto grezzo per cerniera pesante
Heavy raw Support
Art. 15165280 - 0,230 kg



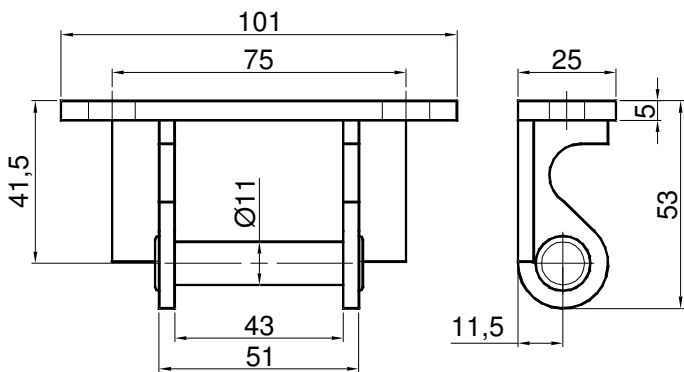
Piastra zincata Int. 95
Galvanized sheet Int. 95
 Comtreplaque acier zing. Int. 95
Gewinde platte verzinkt Int. 95
Art. 15284110 - 0,100 kg



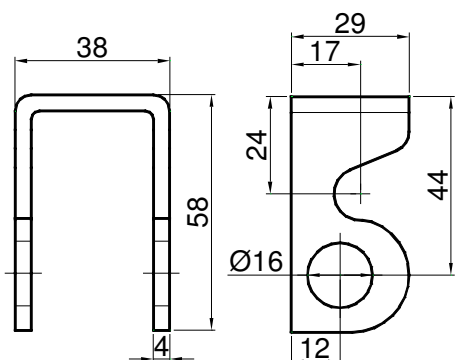
Paletta pesante grezza
Heavy raw Locking plate
Art. 15162800 - 0,220 kg



Cerniera doppia apertura leggera saldata zincata
Welded aluminium side board light hinge galvanized
 Charniere de ridelle zingué
Bisagra cincada para baranda de aluminio
 Scharniere verzinkt
Art. 15164800 - 0,200 kg

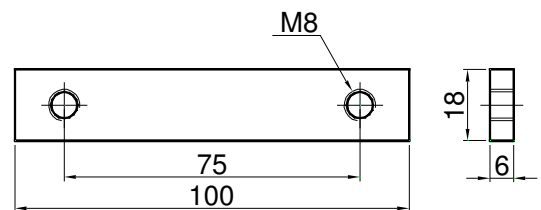
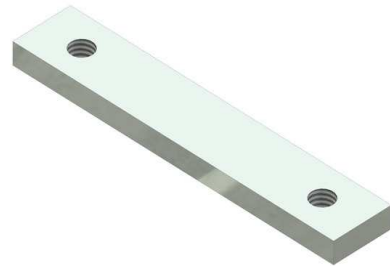


Supporto grezzo per cerniera leggera
Light raw Support
Art. 15164840 - 0,100 kg

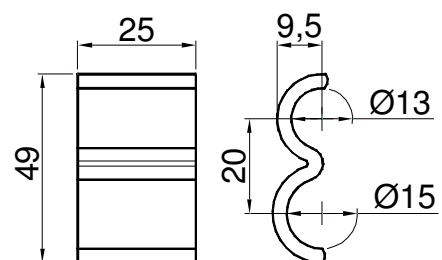


Piastrina zincata interasse 75
Galvanized plate interaxis 75
Art. 15307110
0,080 kg

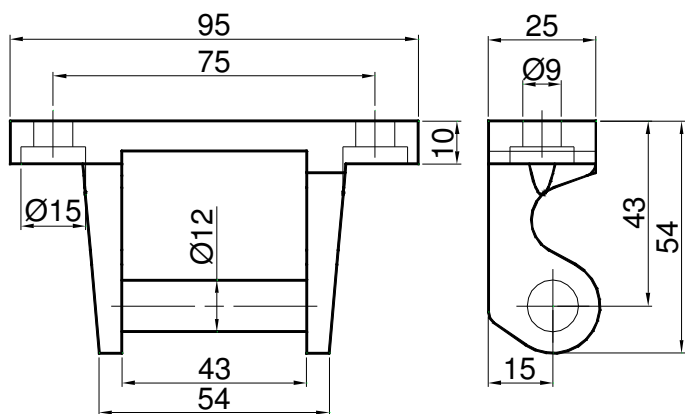
Platina cincada espacio 75
Contre-plaque zinguee enteraxis 75
 Gewinde platte verzinkt 75



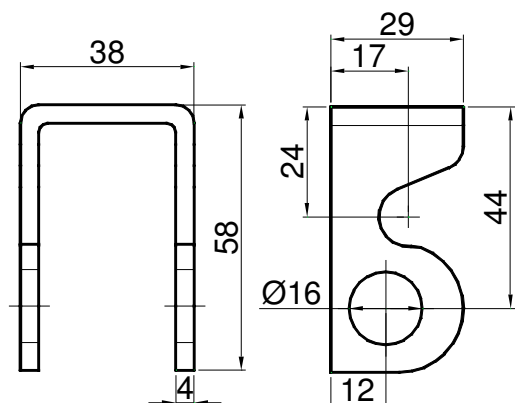
Paletta leggera grezza
Light raw locking plate
Art. 15164880 - 0,080 kg



Cerniera trilaterale leggera in fusione zincata
Aluminium casting side board light hinge galvanized
 Charniere de ridelle zingué
Bisagra cincada para baranda de aluminio
 Scharniere verzinkt
Art. 15307120 - 0,210 kg

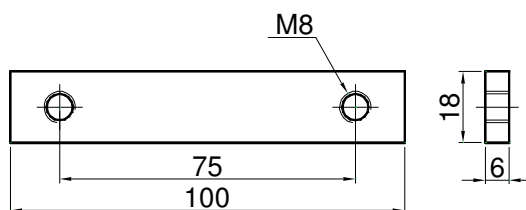
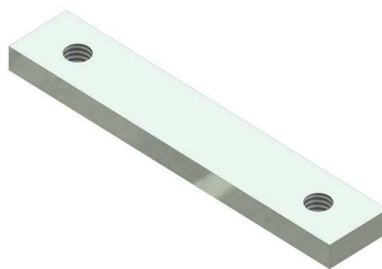


Supporto grezzo per cerniera leggera
Light raw Support
Art. 15164840 - 0,100 kg

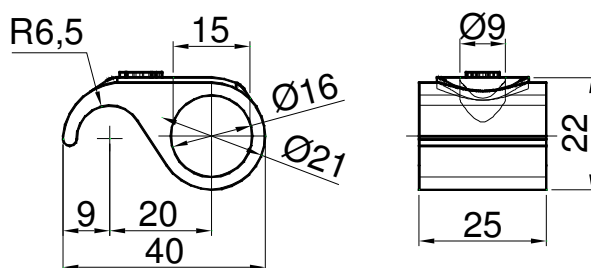


Piastrina zincata interasse 75
Galvanized plate interaxis 75
Art. 15307110
0,190 kg

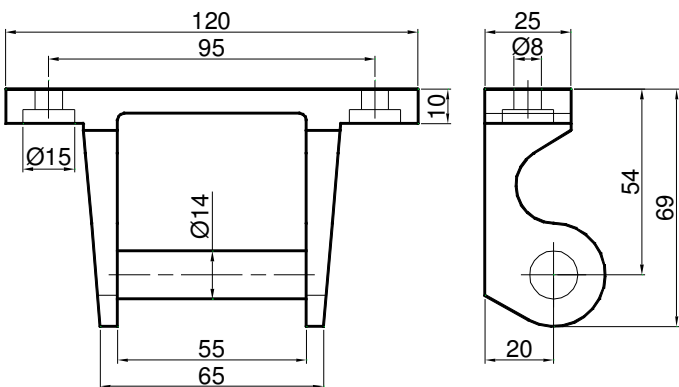
Platina cincada espacio 75
Contre-plaque zinguee enteraxis 75
 Gewinde platte verzinkt 75



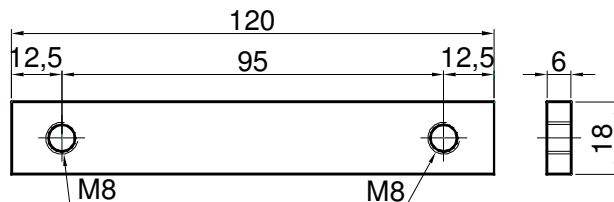
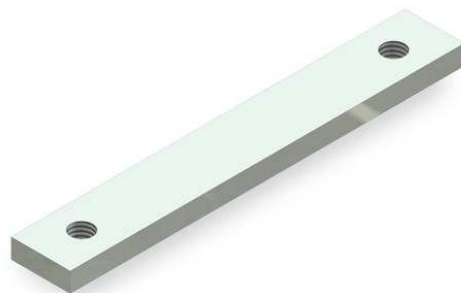
Paletta grezza leggera
Light raw Locking plate
Art. 15164980 - 0,060 kg



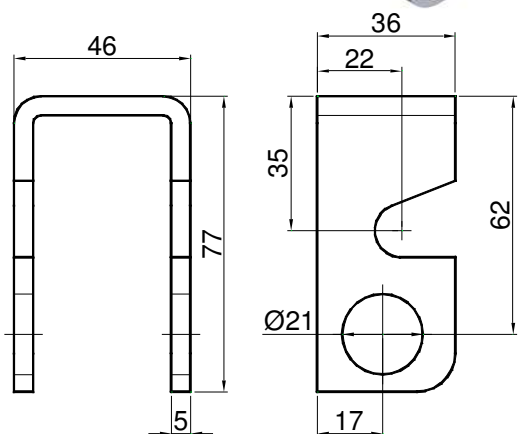
Cerniera trilaterale pesante in fusione zincata
Aluminium casting side board heavy hinge galvanized
 Charniere de ridelle zingué
Bisagra cincada para baranda de aluminio
 Scharniere verzinkt
Art. 15165260 - 0,360 kg



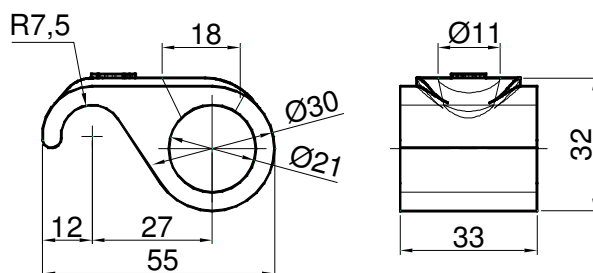
Piastra zincata Int. 95
Galvanized sheet Int. 95
 Comtreplaque acier zing. Int. 95
Gewinde platte verzinkt Int. 95
Art. 15284110 - 0,100 kg



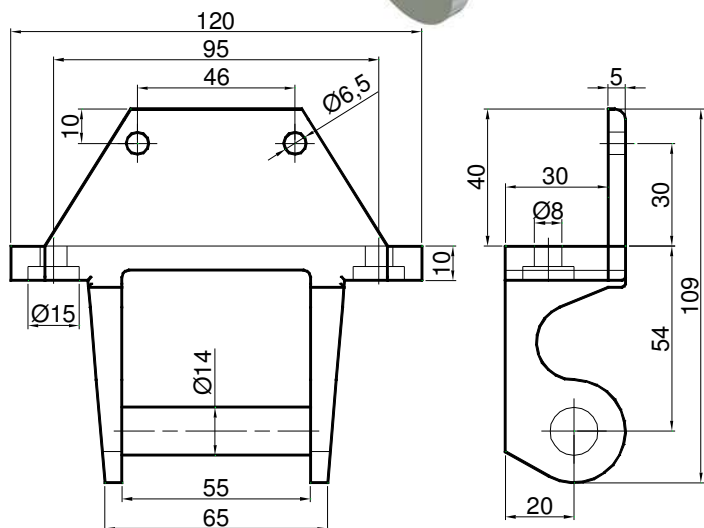
Supporto grezzo per cerniera pesante
Heavy raw Support
Art. 15165280 - 0,230 kg



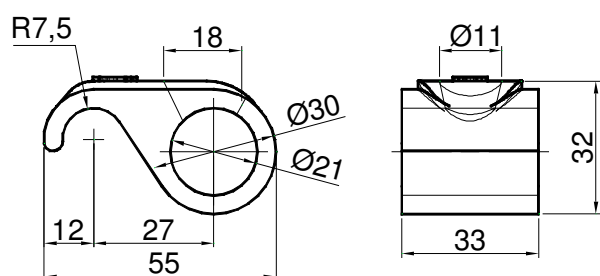
Paletta grezza pesante
Heavy raw Locking plate
Art. 15162810 - 0,140 kg



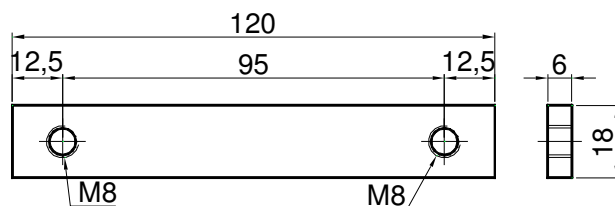
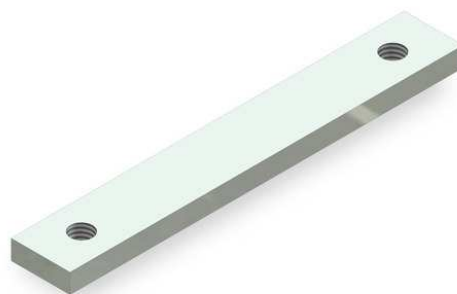
Cerniera trilaterale TR5 zincata
Aluminium side board TR5 hinge galvanized
 Charniere TR5 de ridelle zingué
Bisagra TR5 cincada para baranda de aluminio
 Scharniere verzinkt TR5
Art. 15165043 - 0,550 kg



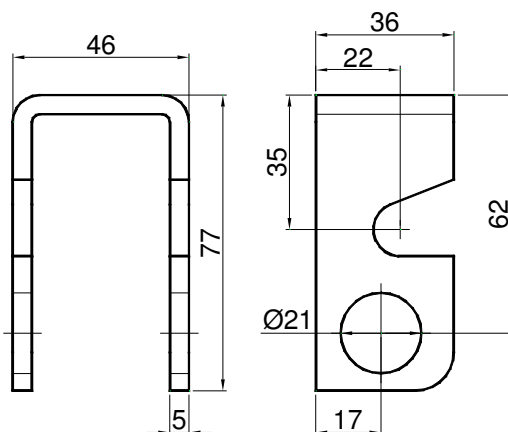
Paletta grezza pesante
Heavy raw Locking plate
Art. 15162810 - 0,140 kg



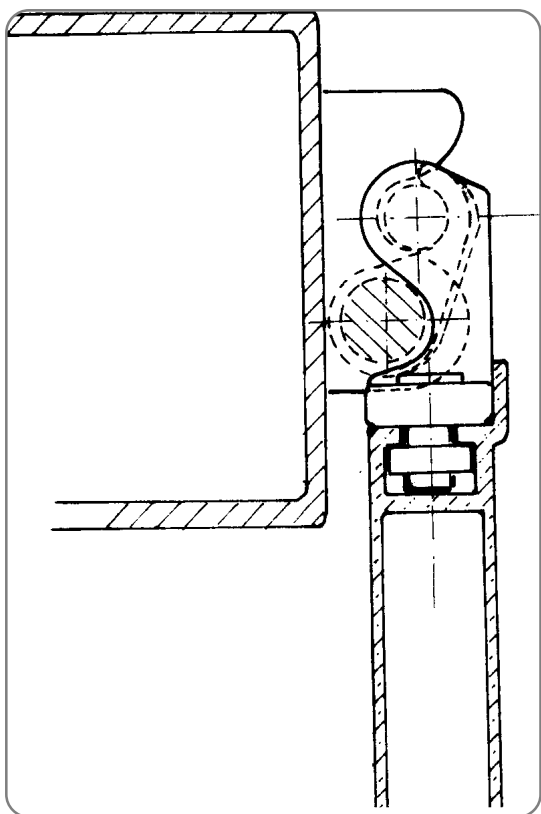
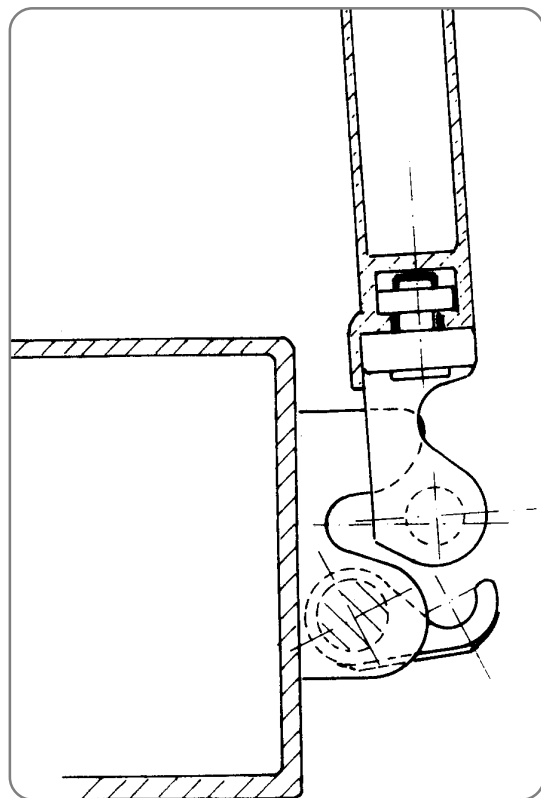
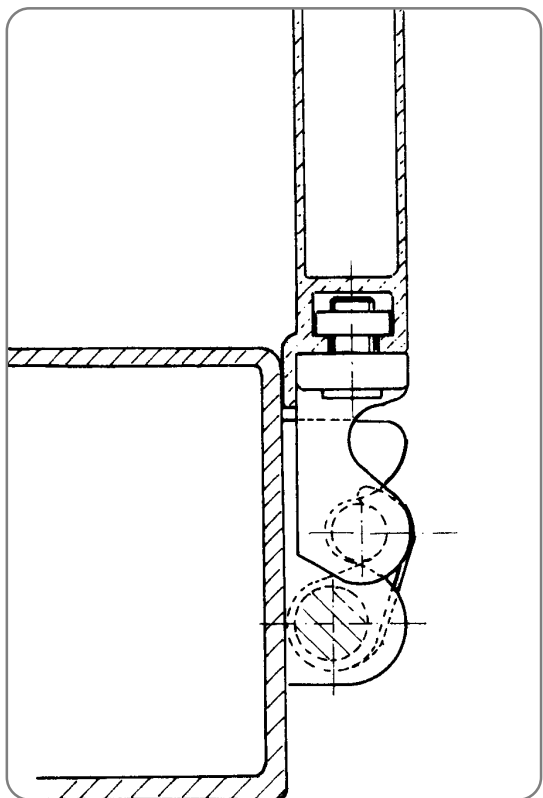
Piastra zincata Int. 95
Galv. Steel sheet Int. 95
 Comtreplaque acier zing. Int. 95
Gewinde platte verzinkt Int. 95
Art. 15284110 - 0,100 kg



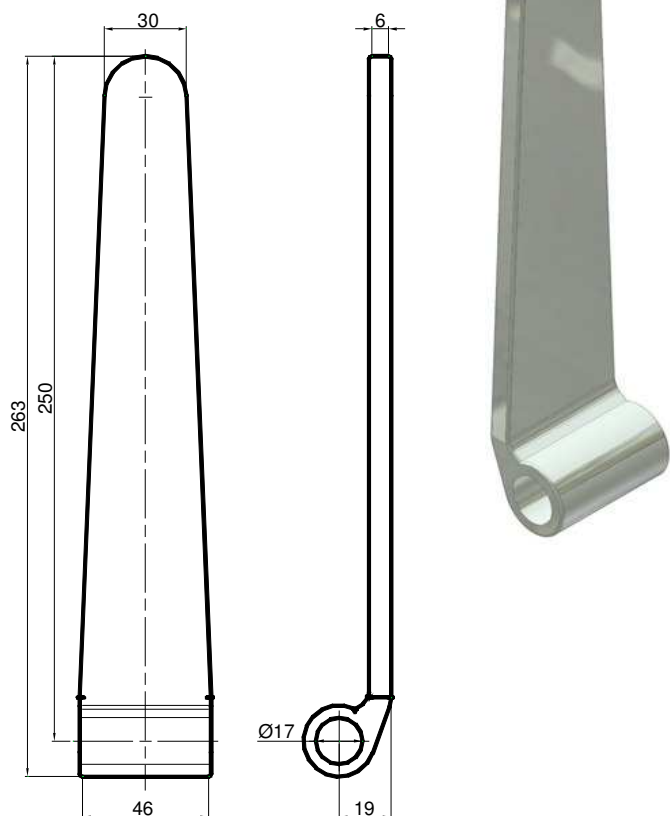
Supporto grezzo per cerniera pesante
Heavy raw Support
Art. 15165280 - 0,230 kg



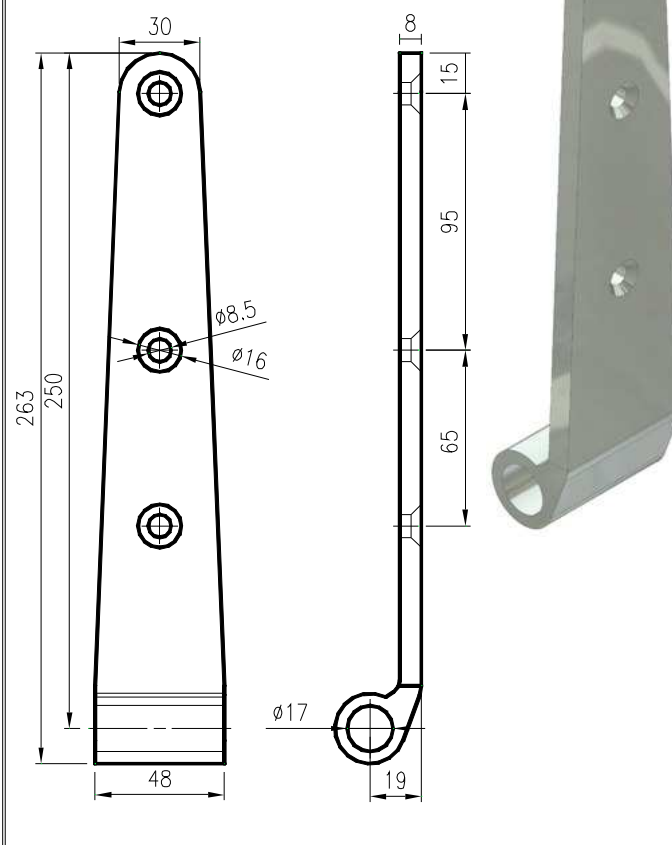
Equipaggiamento cerniera per ribaltabili trilaterali, sponde in alluminio.
Kit hinge for dumper three way, aluminium side board.



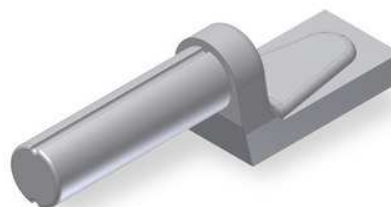
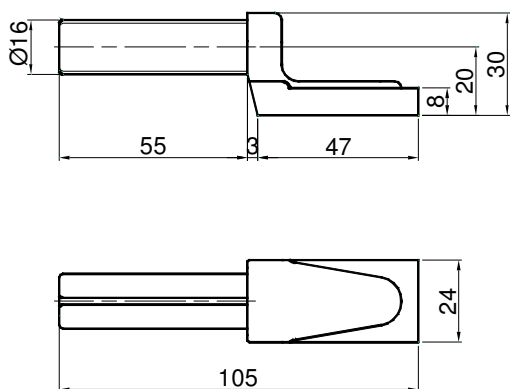
Cerniera zincata
Hinge galvanized
 Charniere de ridelle zingué
Bisagra cincada
 Scharniere verzinkt
Art. 15310151 - 0,720 kg



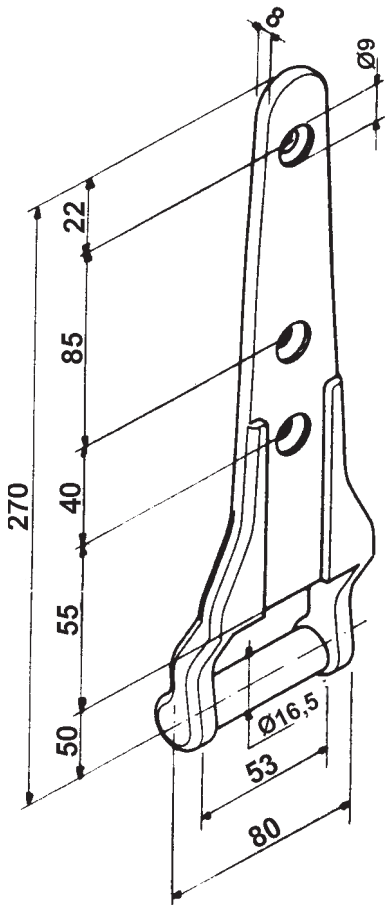
Cerniera zincata con fori
Hinge with hole galvanized
 Charniere de ridelle zingué
Bisagra cincada
 Scharniere verzinkt
Art. 15310152 - 0,700 kg



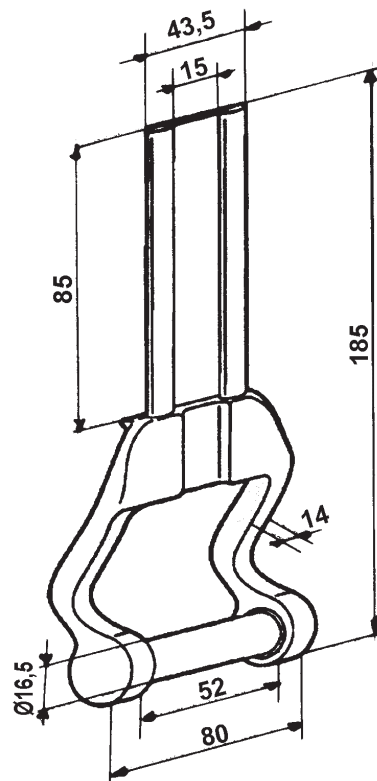
Perno forgiato grezzo Ø 16
Raw sideboard pin Ø 16
 Gond brut Ø 16
Scharnierbolzen roh Ø 16
Art. 20122100 - 0,190 kg



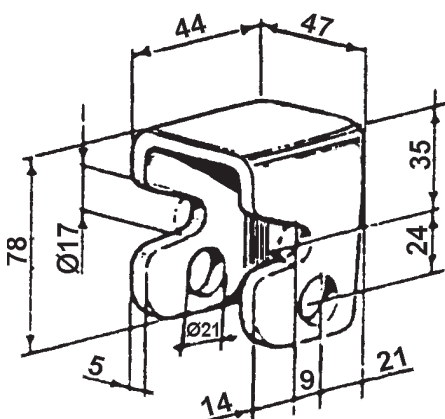
Cerniera zincata
Hinge galvanized
 Charniere de ridelle zingué
Bisagra cincada
 Scharniere verzinkt
Art. 15310145 - 0,760 kg



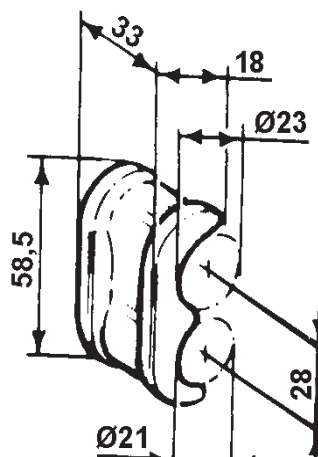
Cerniera grezza
Hinge raw / Charniere
Bisagra / Scharniere
Art. 15160000 - 0,600 kg



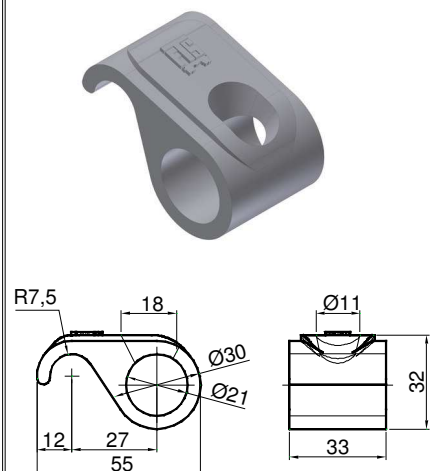
Supporto grezzo per cerniera pesante
Heavy raw Support
Art. 15162820 - 0,220 kg



Paletta grezza
Raw Locking plate
Art. 15162800 - 0,220 kg



Paletta grezza pesante
Heavy raw Locking plate
Art. 15162810 - 0,140 kg



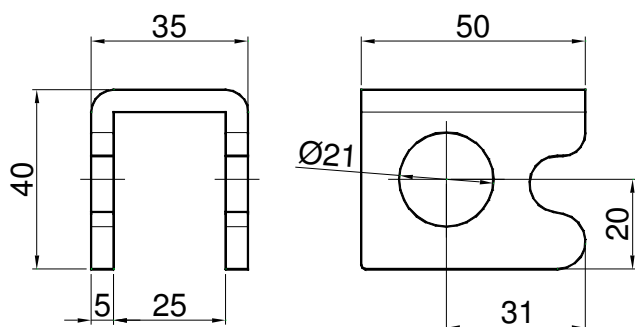
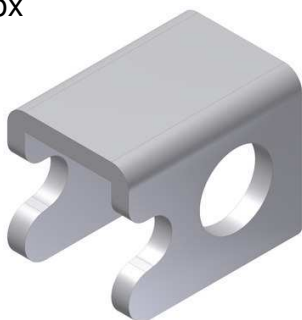
Supporto tipo RAO

Support type RAO

Art. 15310163 - grezzo / raw

Art. 15310165 - Inox

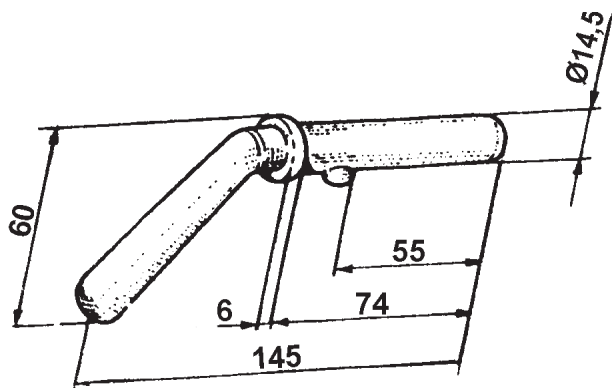
0,160 kg



Spina forgiata grezza Ø 14,5

Raw forged pin Ø 14,5

Art. 15016308 - 0,060 kg



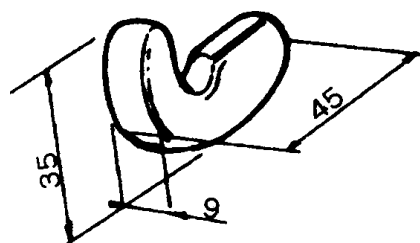
Paletta tipo RAO

RAO type locking plate

Art. 15310164 - grezzo / raw

Art. 15310166 - Inox

0,055 kg

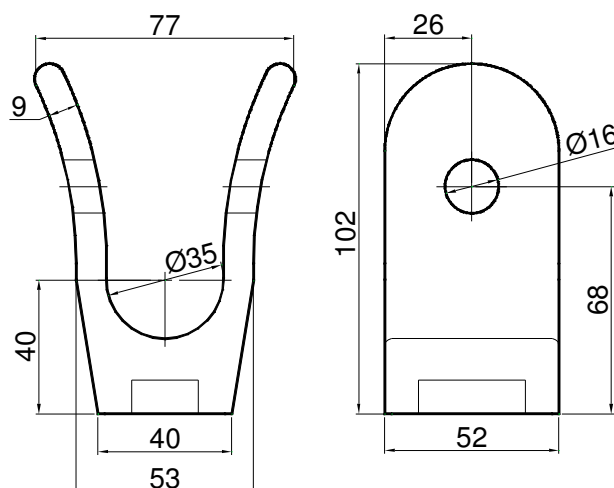


Supporto forgiato grezzo

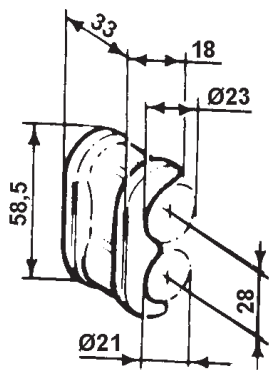
Raw forged support

Art. 15016316

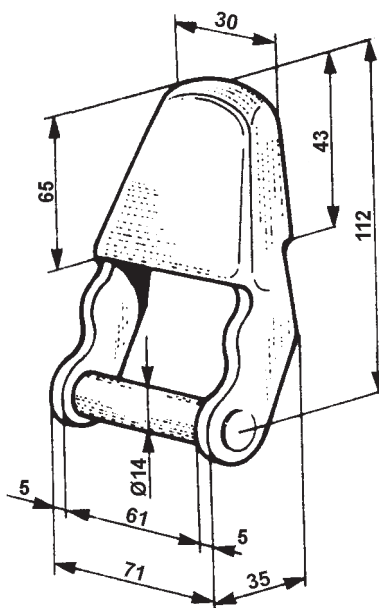
0,840 kg



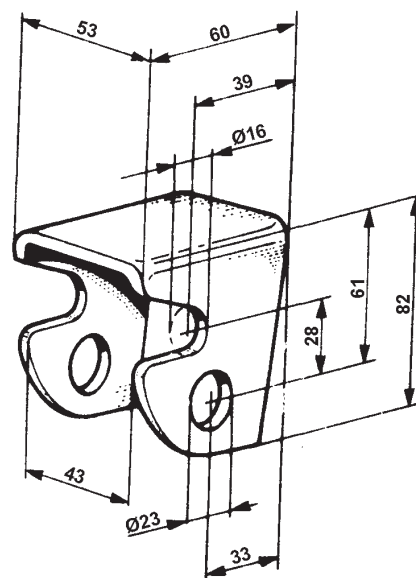
Paletta pesante grezza
Raw heavy locking plate
Art. 15162800 - 0,220 kg



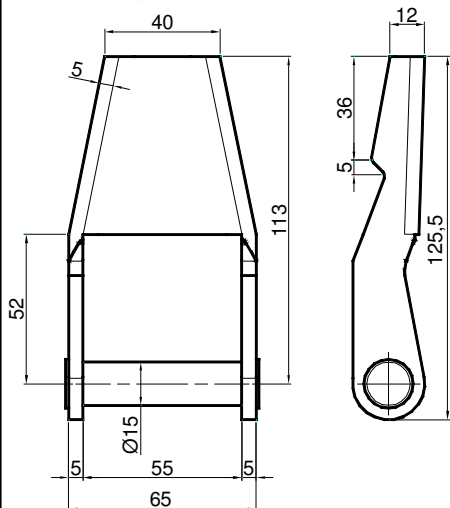
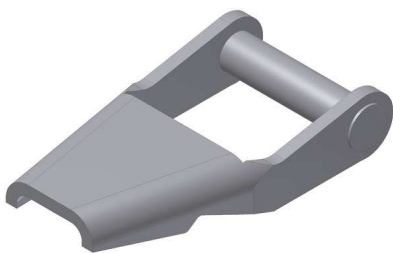
Cerniera grezza chiusa tipo RAS
Lock raw hinge type RAS
Art. 15263386 - 0,340 kg



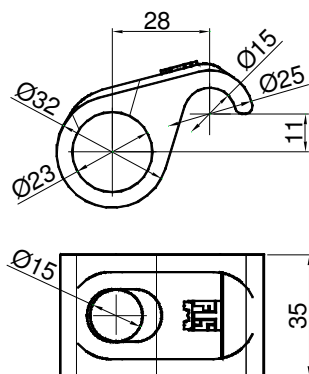
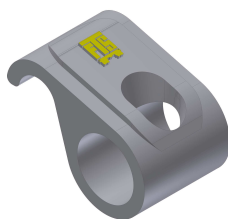
Supporto grezzo tipo RAS
Raw support type RAS
Art. 15263372 - 0,280 kg



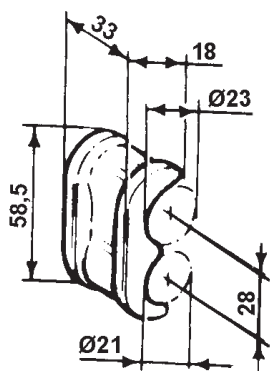
Cerniera grezza aperta tipo RAS
Raw open hinge type RAS
Art. 15263390 - 0,320 kg



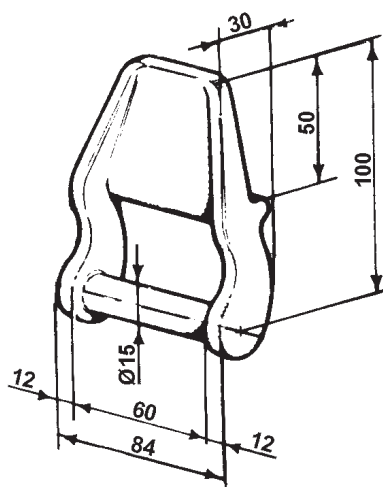
Paletta grezza
Raw Locking plate
Art. 15162830 - 0,160 kg



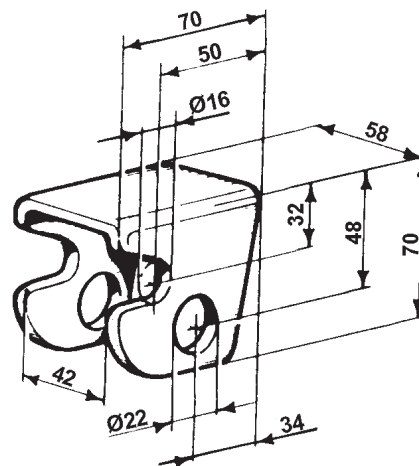
Paletta grezza
Raw Locking plate
Art. 15162800 - 0,220 kg



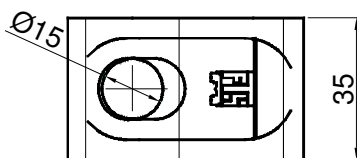
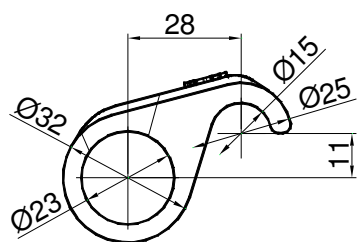
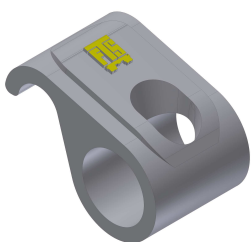
Cerniera grezza doppia apertura
Raw hinge
Art. 15162720 - 0,500 kg



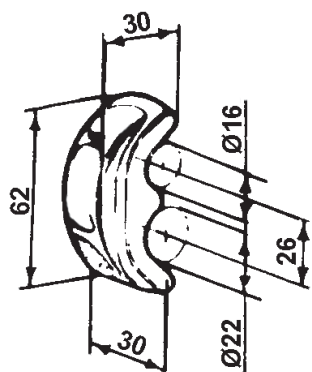
Supporto grezzo
Raw support
Art. 15162760 - 0,460 kg



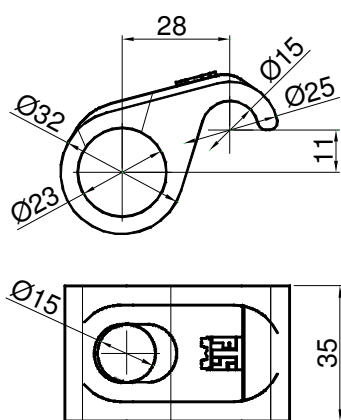
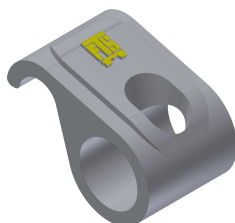
Paletta grezza
Raw Locking plate
Art. 15162830 - 0,160 kg



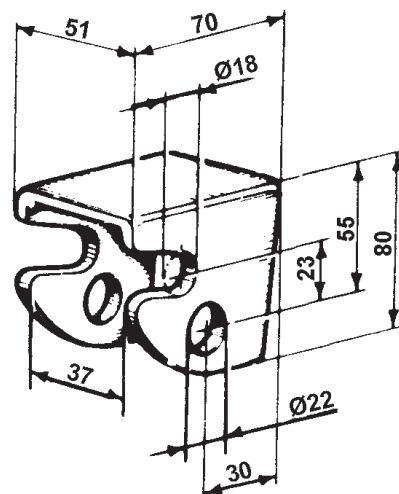
Paletta grezza
Raw Locking plate
Art. 15162920 - 0,195 kg



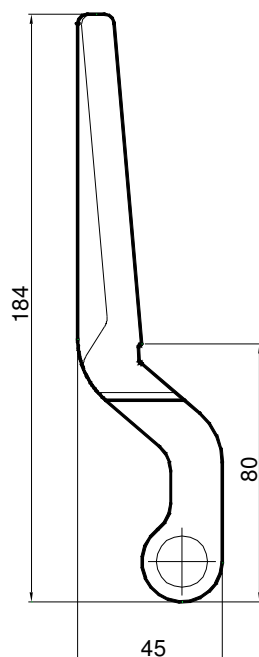
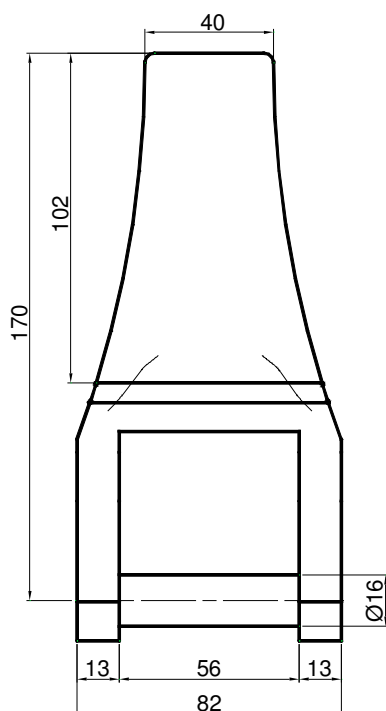
Paletta grezza
Raw Locking plate
Art. 15162830 - 0,160 kg



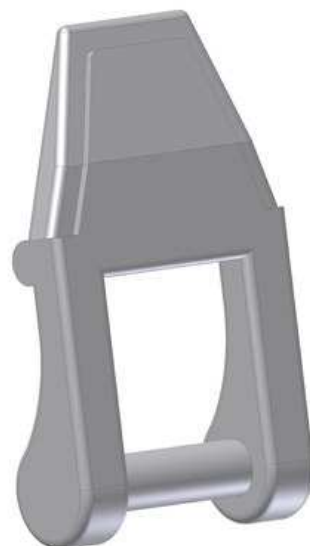
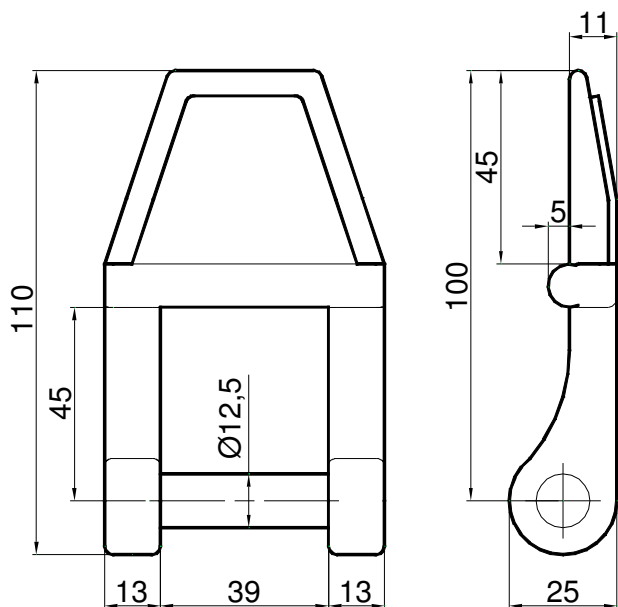
Supporto grezzo
Raw support
Art. 15162880 - 0,480 kg



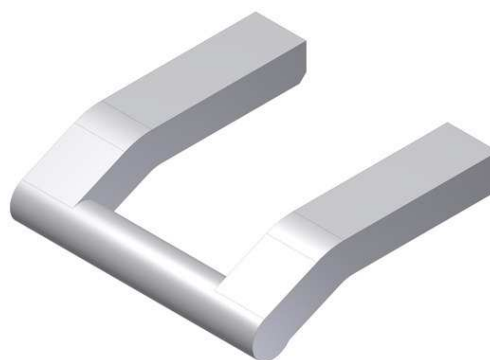
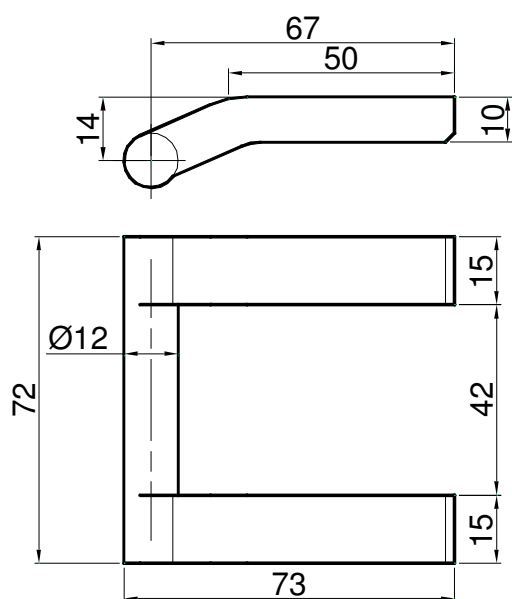
Cerniera doppia pertura grezza
Raw hinge
Art. 15162840 - 0,900 kg



Cerniera grezza per sponde in ferro
Three way sideboars raw steel hinge
Art. 15163720 - 0,410 kg



Cerniera leggera tipo Bremach
Bremach light Hinge
Art. 15163820 - 0,200 kg

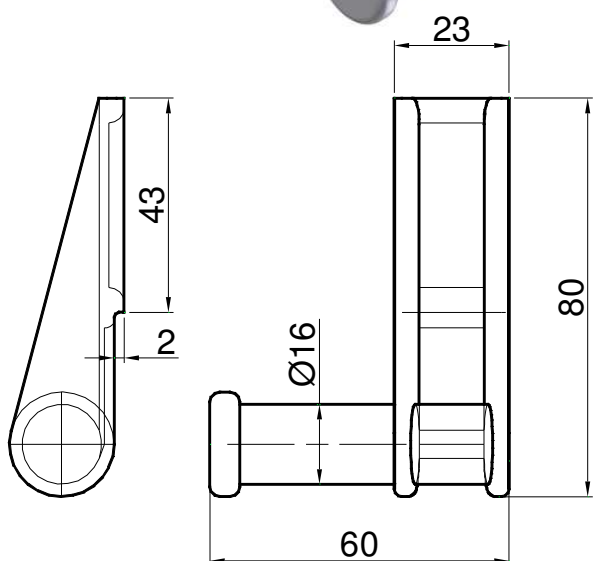
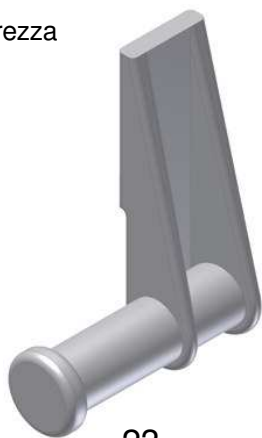


Cerniera posteriore leggera grezza
Raw light hinge back

Art. 15016001 - Right

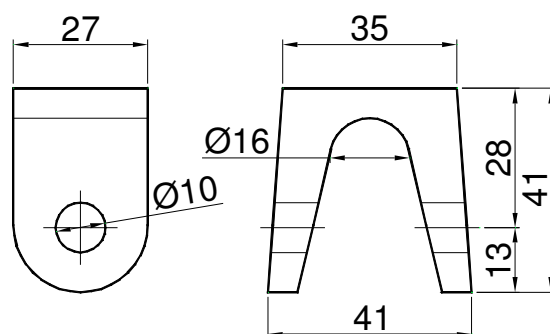
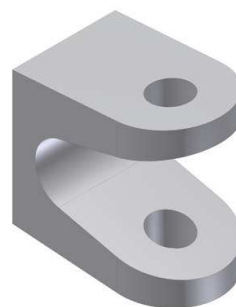
Art. 15016002 - Left

0,210 kg



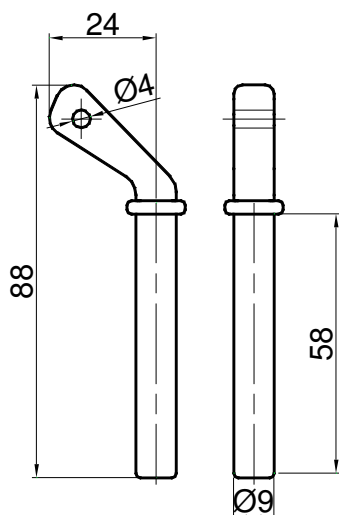
Supporto grezzo per cerniera posteriore leggera
Raw support hinge

Art. 15016004 - 0,150 kg



Spinotto grezzo leggero
Raw light locking pin

Art. 15016008 - 0,050 kg

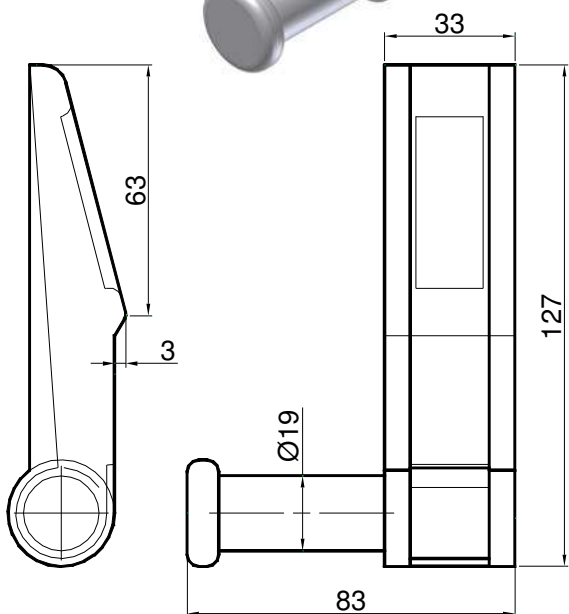
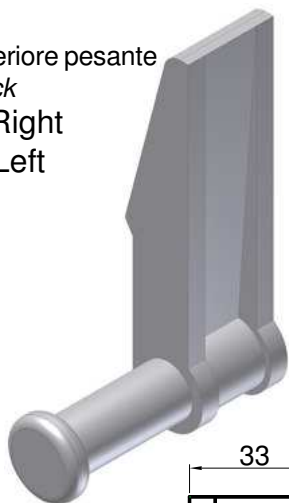


Cerniera grezza posteriore pesante
Raw heavy hinge back

Art. 15016011 - Right

Art. 15016012 - Left

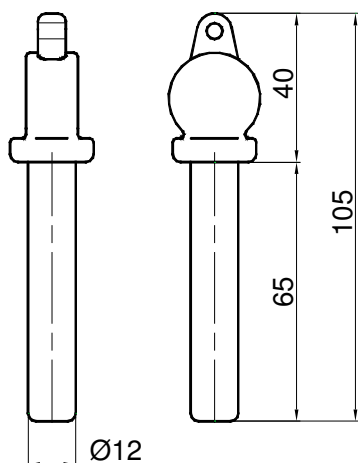
0,550 kg



Spinotto grezzo pesante Ø 12

Raw heavy locking pin Ø 12

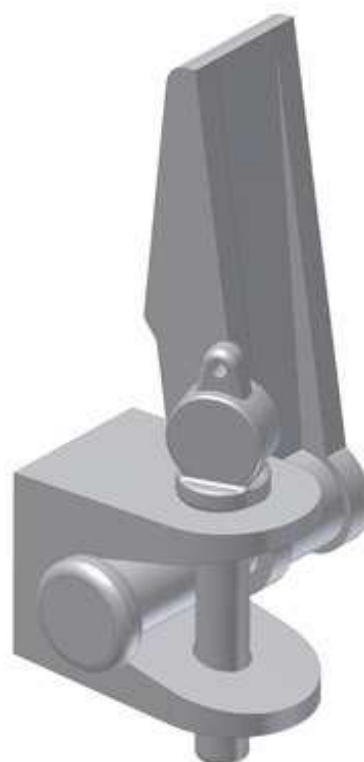
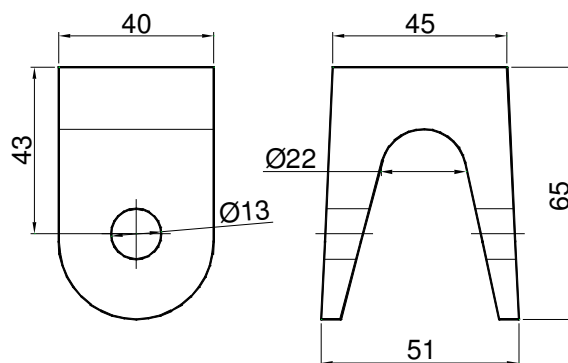
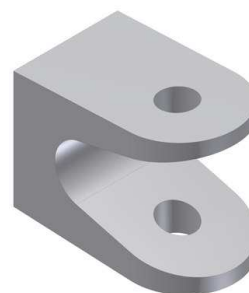
Art. 15016020 - 0,450 kg



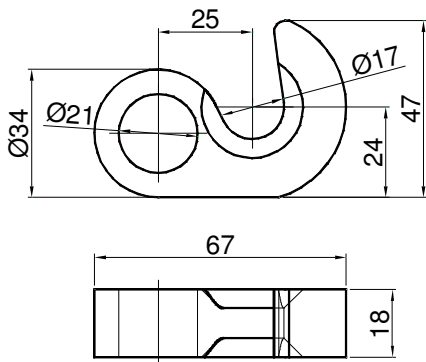
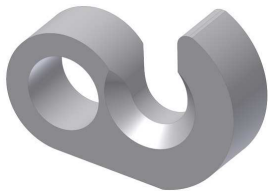
Supporto grezzo per cerniera posteriore pesante

Raw support hinge

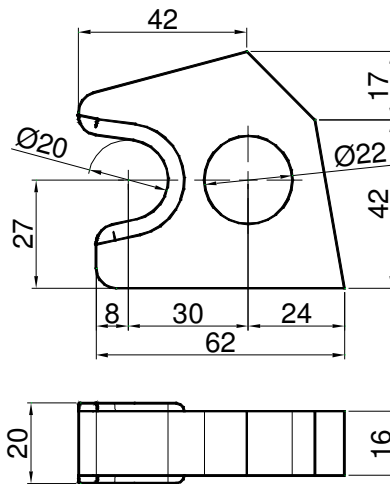
Art. 15016016 - 0,450 kg



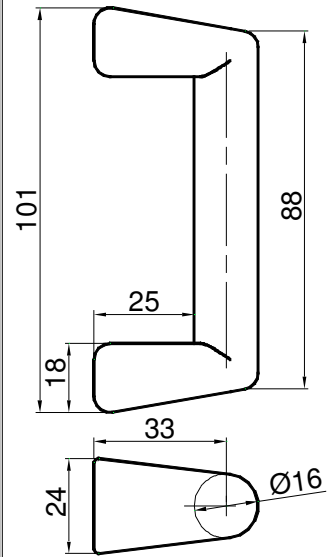
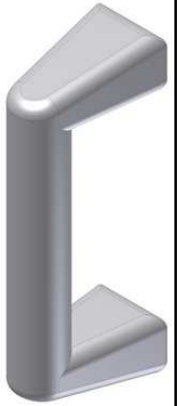
Paletta grezza Ø 21
Raw Locking plate Ø 21
Art. 33111112 - 0,195 kg



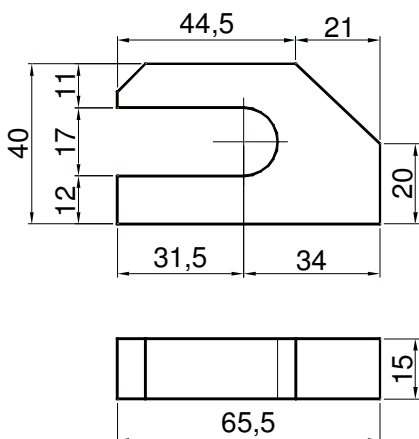
Supporto barra Ø 22
Support Ø 22
Art. 33111122 - 0,275 kg



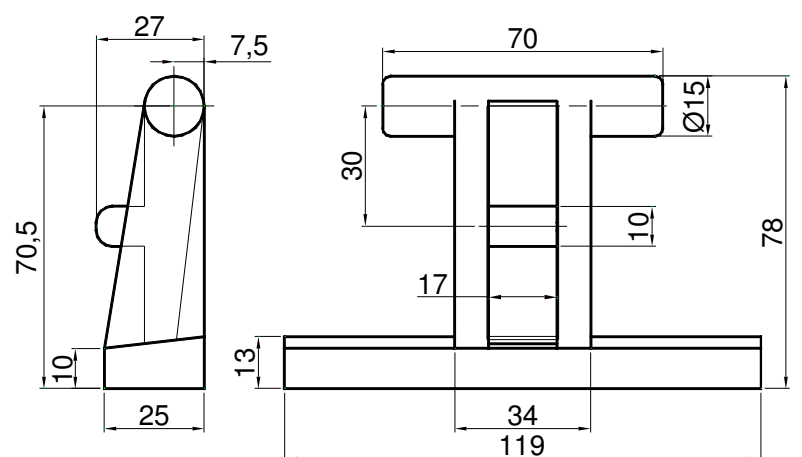
Cerniera trilaterale grezza Ø16
Raw hinge Ø16
Art. 33111132 - 0,260 kg



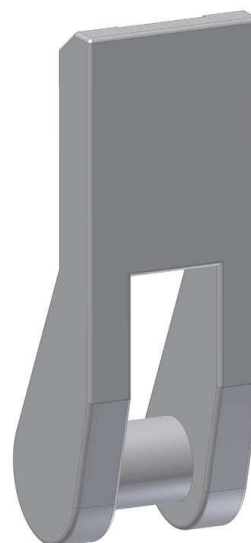
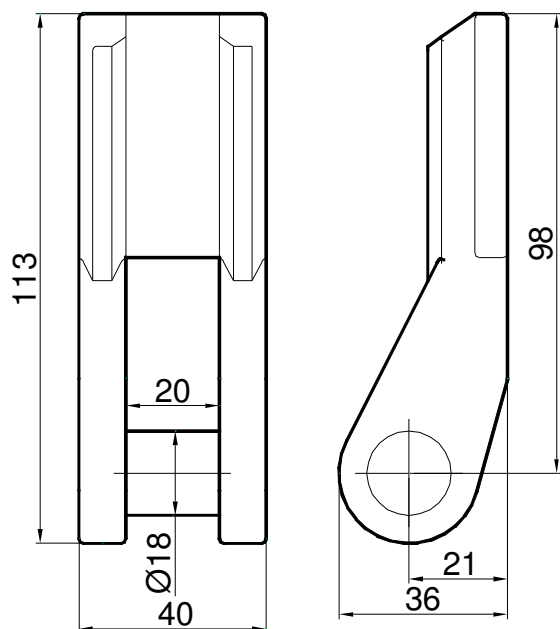
Supporto cerniera Ø 17
Support Ø 17
Art. 32111112 - 0,190 kg



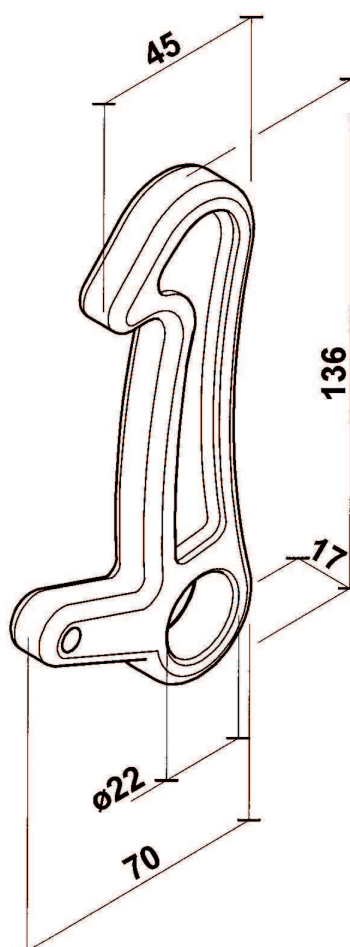
Cerniera grezza per sponda
Raw hinge
Art. 32111122 - 0,545 kg



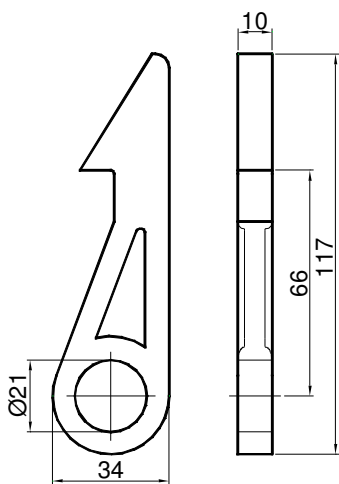
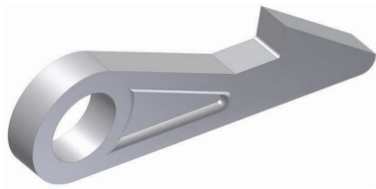
Riscontro saltarello Romanazzi grezzo
Romanazzi raw slip at hinge
Art. 15046292 - 0,440 kg



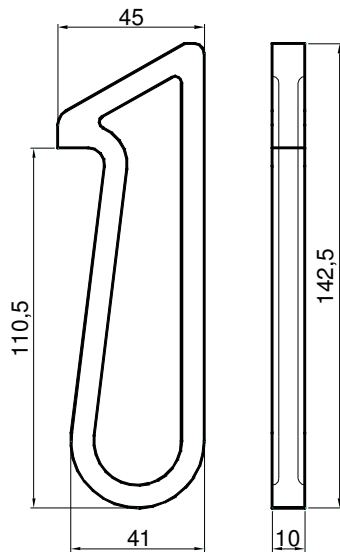
Saltarello Romanazzi grezzo
Romanazzi raw shaped pawl
Art. 15046296 - 0,330 kg



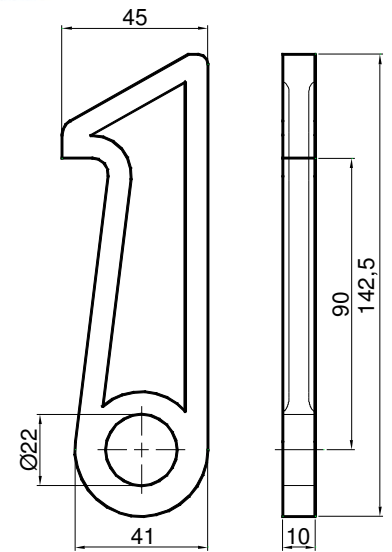
Saltarello Leggerissimo con foro Ø 21
Very light shaped pawl with hole Ø 21
Art. 15320175 - 0,150 kg



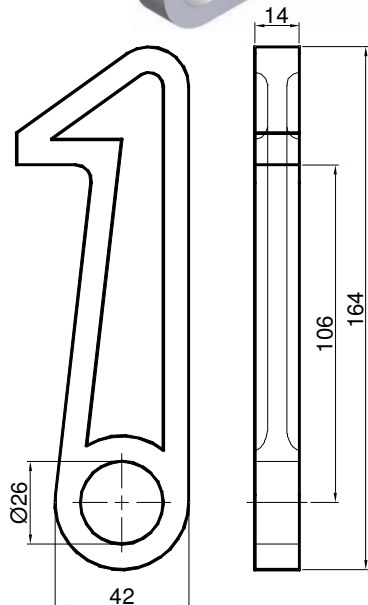
Saltarello Leggero senza fori
Light shaped pawl
Art. 15320177 - 0,260 kg



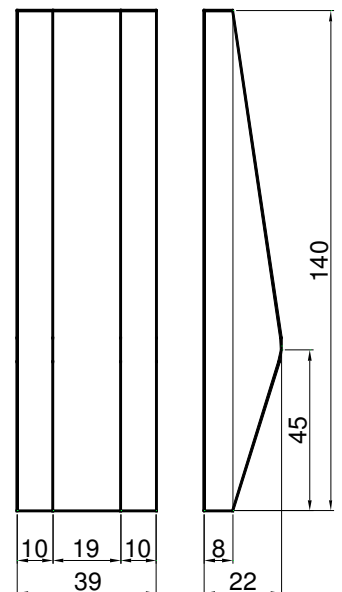
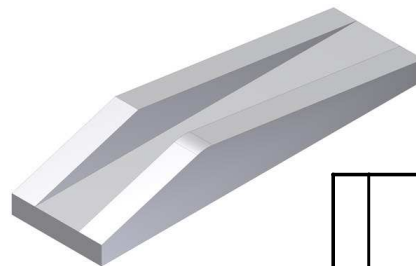
Saltarello Leggero con foro Ø 22
Light shaped pawl with hole Ø 22
Art. 15320178 - 0,245 kg



Saltarello medio con foro Ø 26
Medium shaped pawl with hole Ø 26
Art. 15320176 - 0,420 kg



Riscontro per saltarello medio
Slip for medium shaped
Art. 15046308 - 0,360 kg



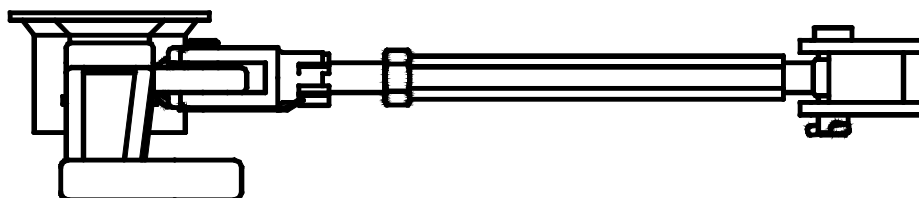
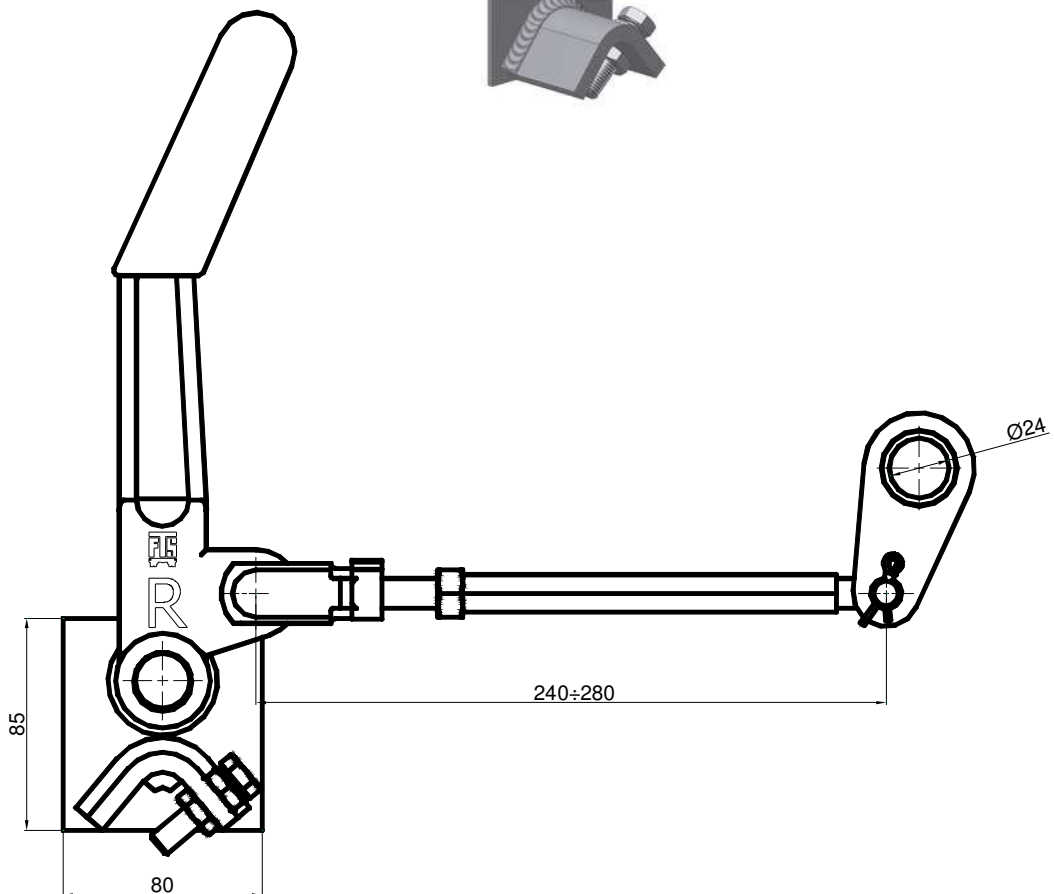
Leva comando apertura cerniera tipo Rapid
Rapid command lever open hinge

Art. 15012303 - Destra / Right

Art. 15012304 - Sinistra / Left

2,070 kg

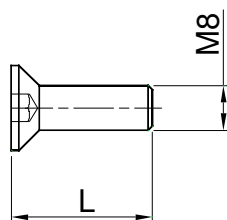
Dx / R



Vite a brugola con testa svasata TCSEI zincata
TCSEI Countersunk screw galvanized

Art. 15342110 - L = 20 mm

Art. 15343110 - L = 25 mm



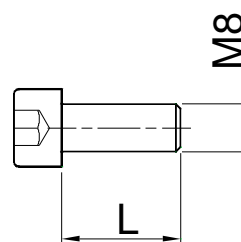
Vite a brugola TCCEI zincata
TCCEI Screw galvanized

Art. 15336110 - L = 16 mm

Art. 15338110 - L = 20 mm

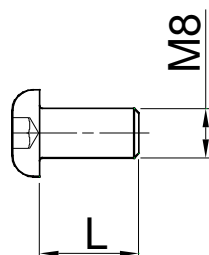
Art. 15340110 - L = 25 mm

Art. 15341110 - L = 30 mm



Vite a brugola con testa bombata zincata
Roundheadedhead screw galvanized

Art. 15344110 - L = 16 mm



Bussola in alluminio
Aluminium bush

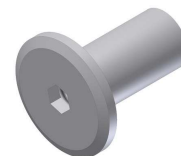
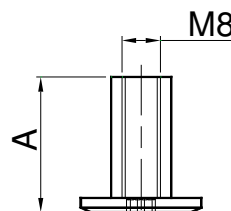
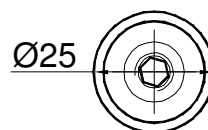
Art. 15388100 - A = 25 mm

Art. 15390100 - A = 30 mm

Bussola zincata
Galvanized bush

Art. 15389100 - A = 25 mm

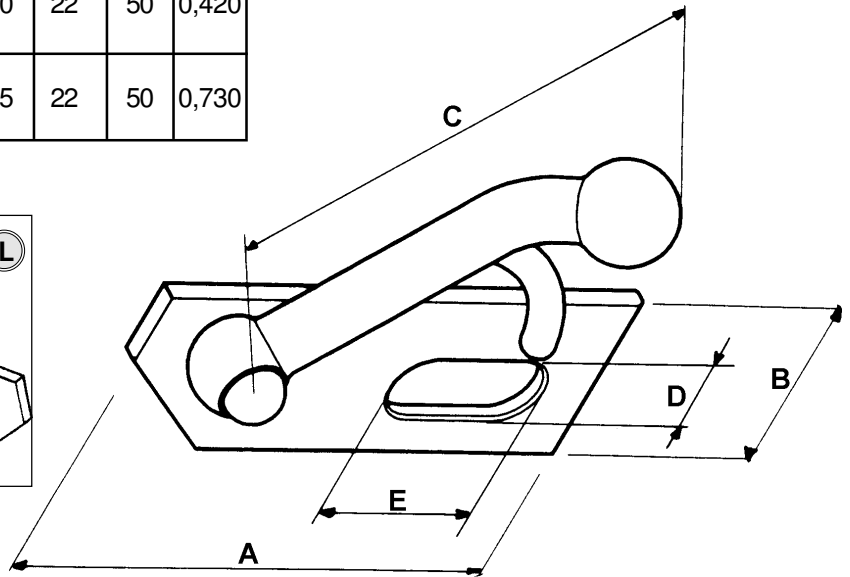
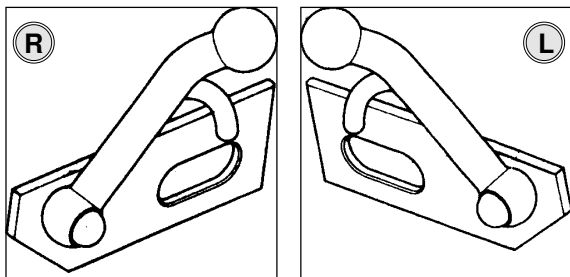
Art. 15391110 - A = 30 mm



Chiusura a pomolo con piastra
Clamp with plate

Articolo Article	Tipo Type	A	B	C	D	E	kg
15012091/R 15012091/L	Leggera Light	160	60	120	22	50	0,420
15012200/R 15012200/L	Media Medium	160	60	145	22	50	0,730

(R)



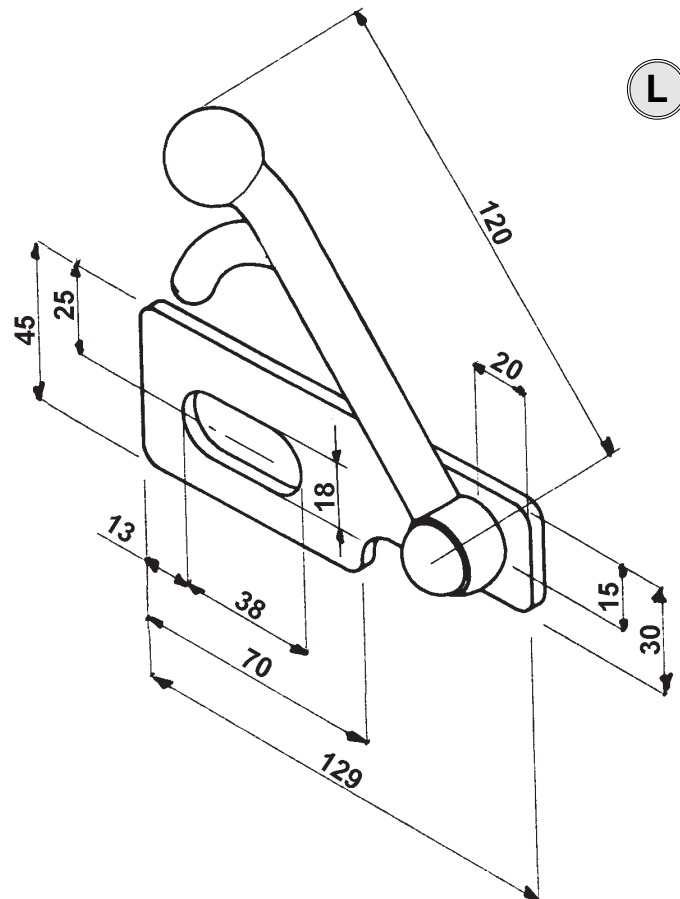
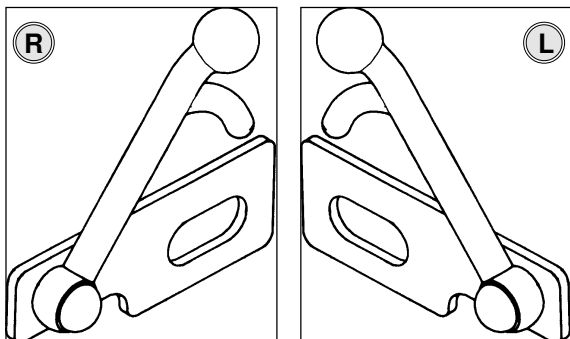
Chiusura leggera a pomolo con piastra leggera
Light clamp with light plate

Art. 15012100/R

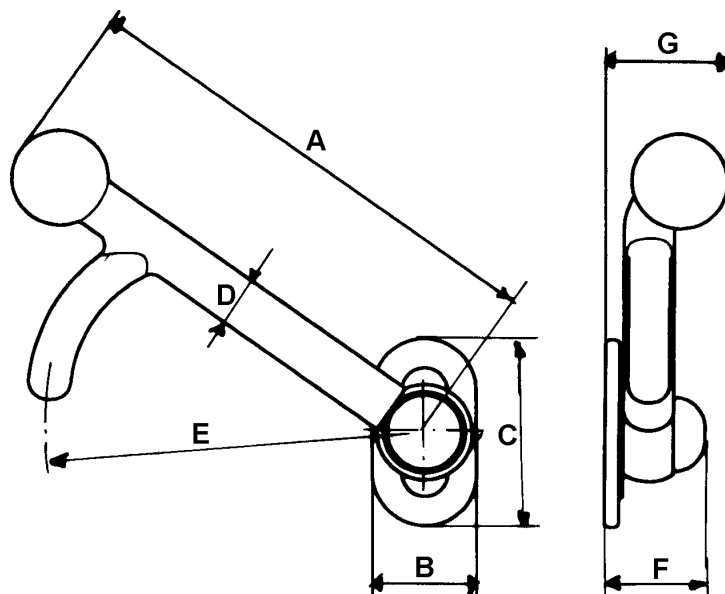
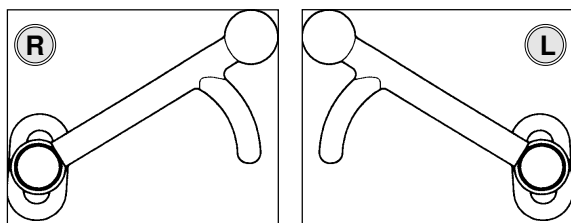
Art. 15012100/L

0,320 kg

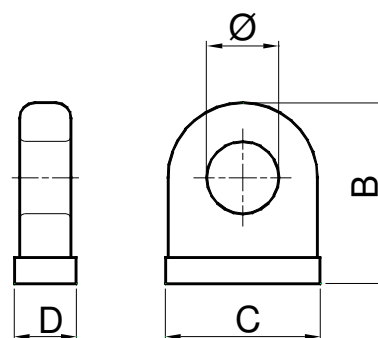
(L)



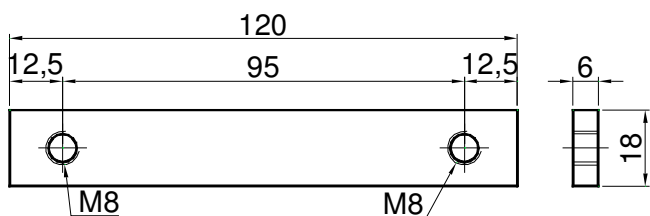
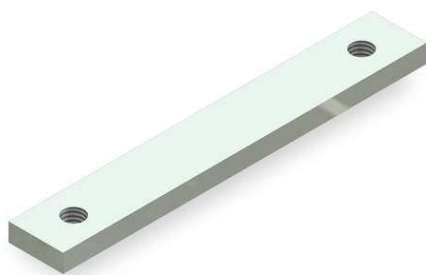
Chiusura a pomolo <i>Knob clamp</i>									
Articolo <i>Article</i>	Tipo <i>Type</i>	A	B	C	D	E	F	G	kg
15012024/R 15012024/L	Leggera <i>Light</i>	120	26	50	13	81	28	38	0,240
15012040/R 15012040/L	Media <i>Medium</i>	145	27	55	16	93	33	40	0,450



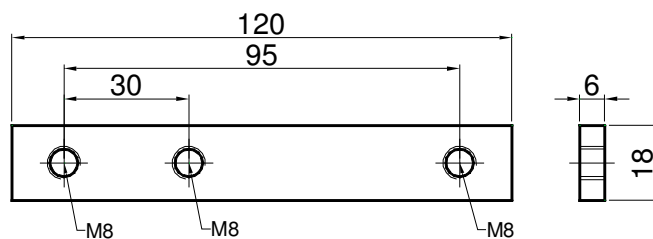
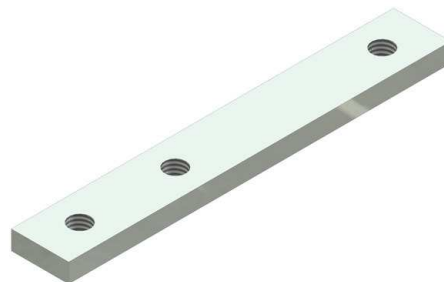
Golfari <i>Ring bolts</i>						
Articolo <i>Article</i>	Tipo <i>Type</i>	Ø	B	C	D	kg
15012028	Leggera <i>Light</i>	12,5	30	30	12	0,040
15012044	Media <i>Medium</i>	14,5	33	35	12	0,050
15012060	Pesante <i>Heavy</i>	17,5	42	42	14	0,090



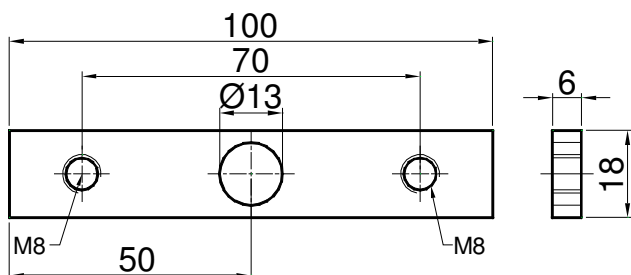
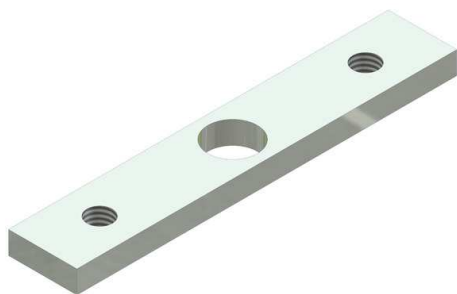
Piastra zincata Int. 95
Galv. Steel sheet Int. 95
 Comtreplaque acier zing. Int. 95
Gewinde platte verzinkt Int. 95
Art. 15284110 - 0,100 kg



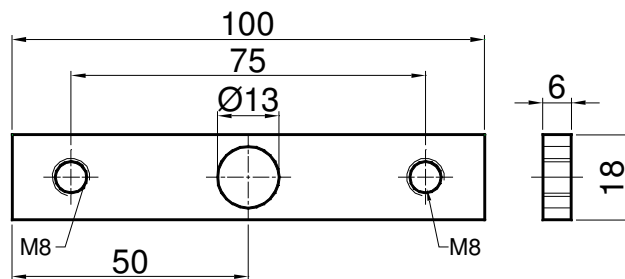
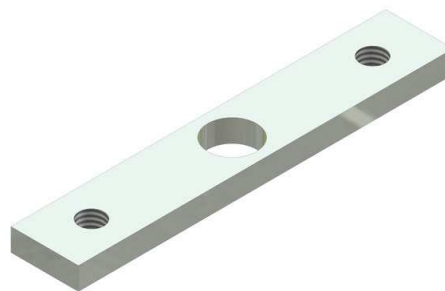
Piastra zincata Int. 95
Galv. Steel sheet Int. 95
 Comtreplaque acier zing. Int. 95
Gewinde platte verzinkt Int. 95
Art. 15285110 - 0,100 kg



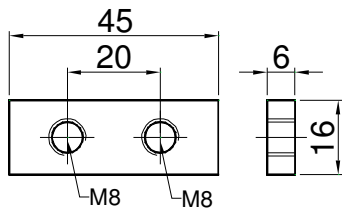
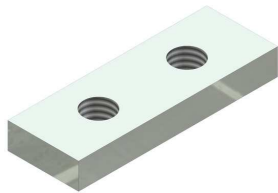
Piastra zincata Int. 70
Galv. Steel sheet Int. 70
 Comtreplaque acier zing. Int. 70
Gewinde platte verzinkt Int. 70
Art. 15309110 - 0,070 kg



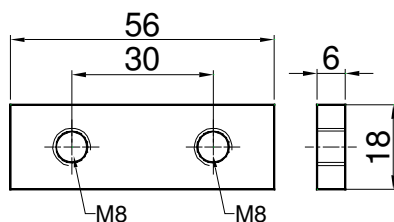
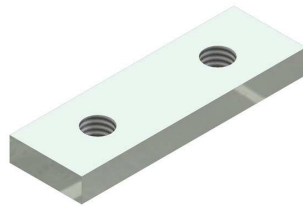
Piastra zincata Int. 75
Galv. Steel sheet Int. 75
 Comtreplaque acier zing. Int. 75
Gewinde platte verzinkt Int. 75
Art. 15308110 - 0,070 kg



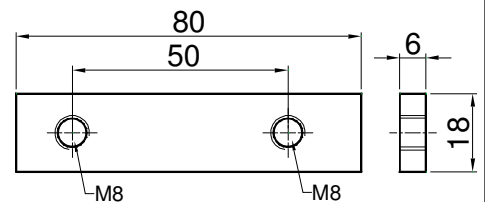
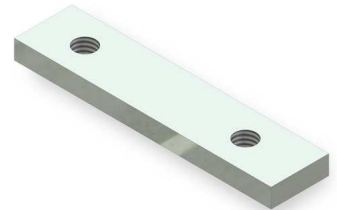
Piastra zincata Int. 20
Galv. Steel sheet Int. 20
 Comtreplaque acier zing. Int. 20
Gewinde platte verzinkt Int. 20
Art. 15268110 - 0,030 kg



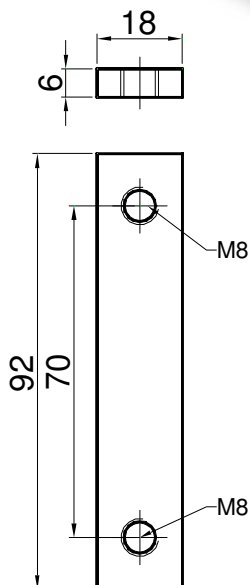
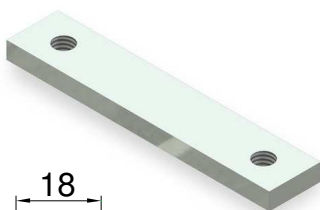
Piastra zincata Int. 30
Galv. Steel sheet Int. 30
 Comtreplaque acier zing. Int. 30
Gewinde platte verzinkt Int. 30
Art. 15270110 - 0,040 kg



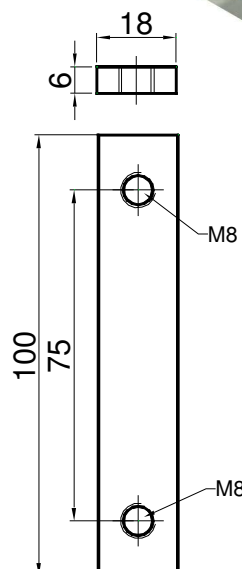
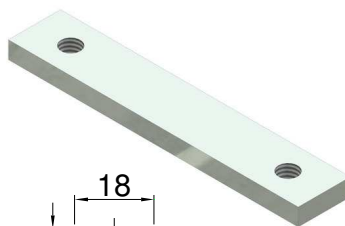
Piastra zincata Int. 50
Galv. Steel sheet Int. 50
 Comtreplaque acier zing. Int. 50
Gewinde platte verzinkt Int. 50
Art. 15279110 - 0,070 kg



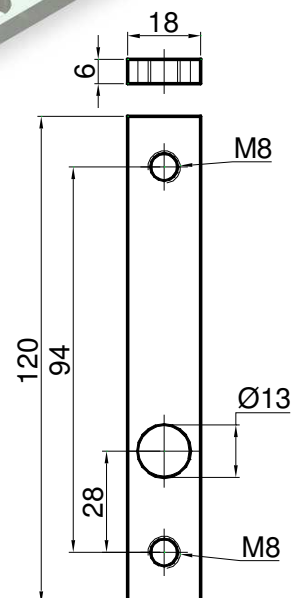
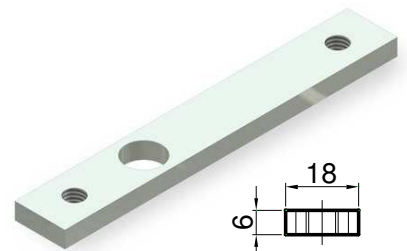
Piastra zincata Int. 70
Galv. Steel sheet Int. 70
 Comtreplaque acier zing. Int. 70
Gewinde platte verzinkt Int. 70
Art. 15278110 - 0,070 kg



Piastra zincata Int. 75
Galv. Steel sheet Int. 75
 Comtreplaque acier zing. Int. 75
Gewinde platte verzinkt Int. 75
Art. 15307110 - 0,070 kg



Piastra zincata Int. 95
Galv. Steel sheet Int. 95
 Comtreplaque acier zing. Int. 95
Gewinde platte verzinkt Int. 95
Art. 15345110 - 0,080 kg

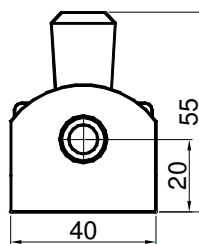
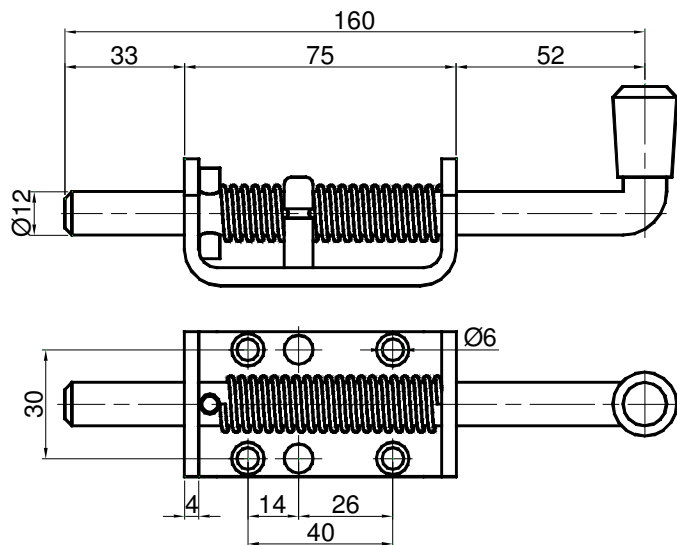
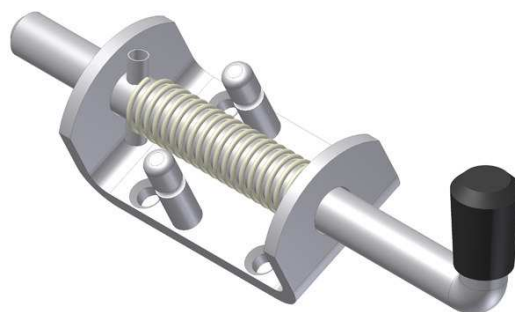


Perno a molla
Plated spring bolt
Verrou a resort
Federriegel

Art. 20128110 - Zincato / Galvanized / Zinguè / Verzinkt

Art. 20128210 - Inox / Nirosta

0,355 kg

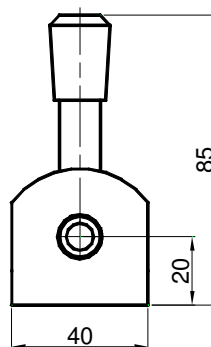
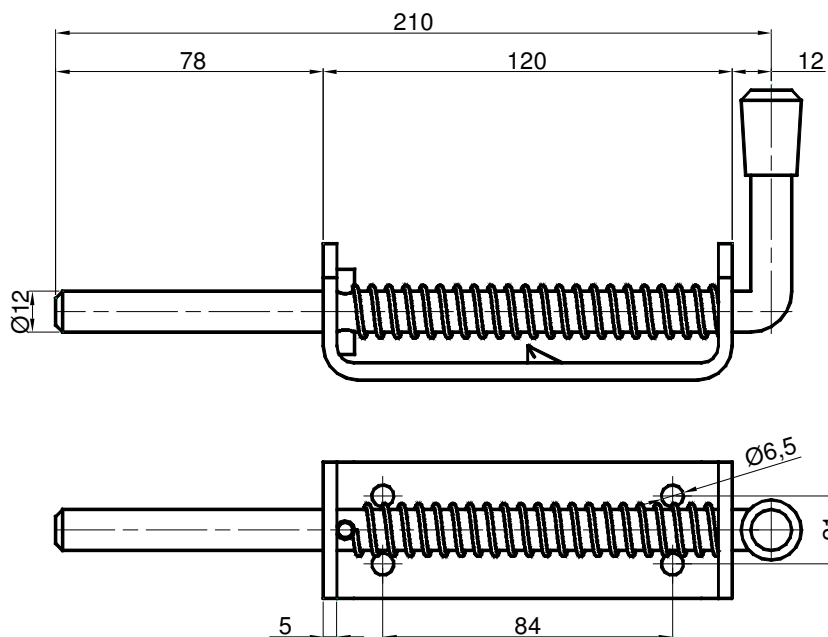


Perno a molla
Plated spring bolt
Verrou a resort
Federriegel

Art. 20128510 - Zincato / Galvanized / Zinguè / Verzinkt

Art. 20128610 - Inox / Nirosta

0,470 kg

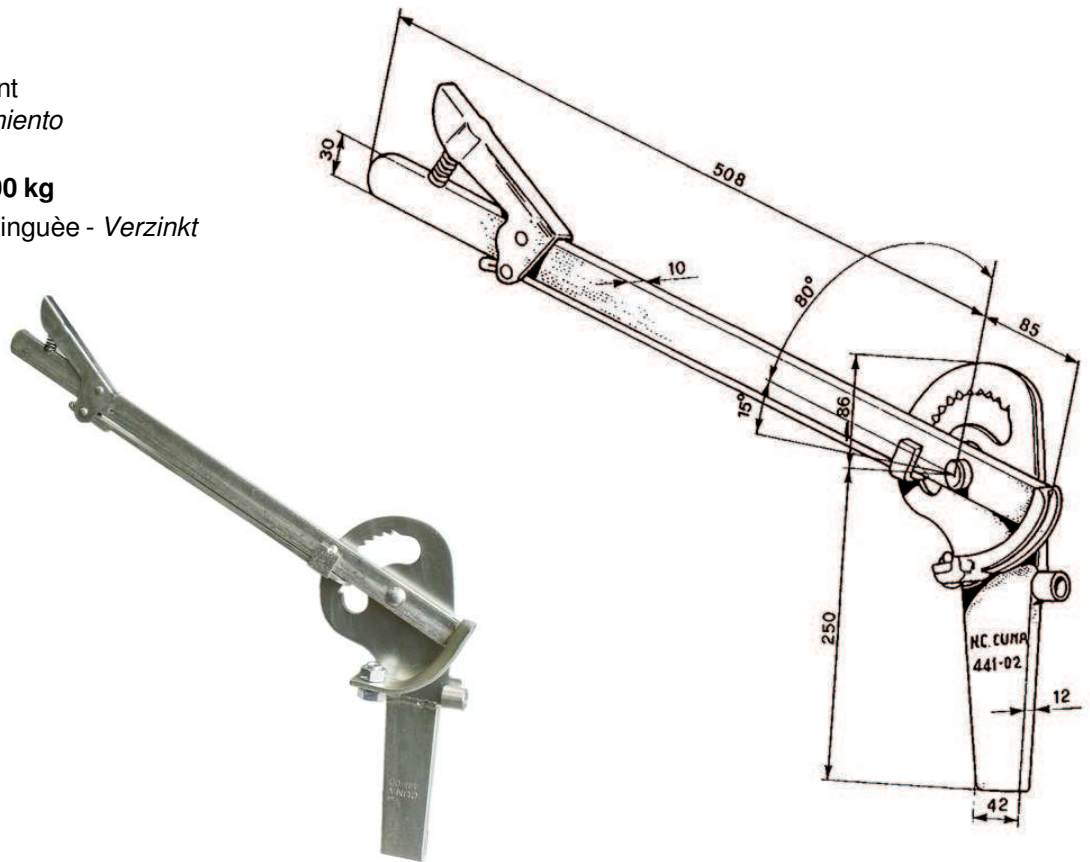


Leva freno parcheggio
Parking bracke lever
Levier frein stationnement
Palancas freno aparcamiento
Grezza - Raw - Brut

Art. 29100100 - 3,000 kg

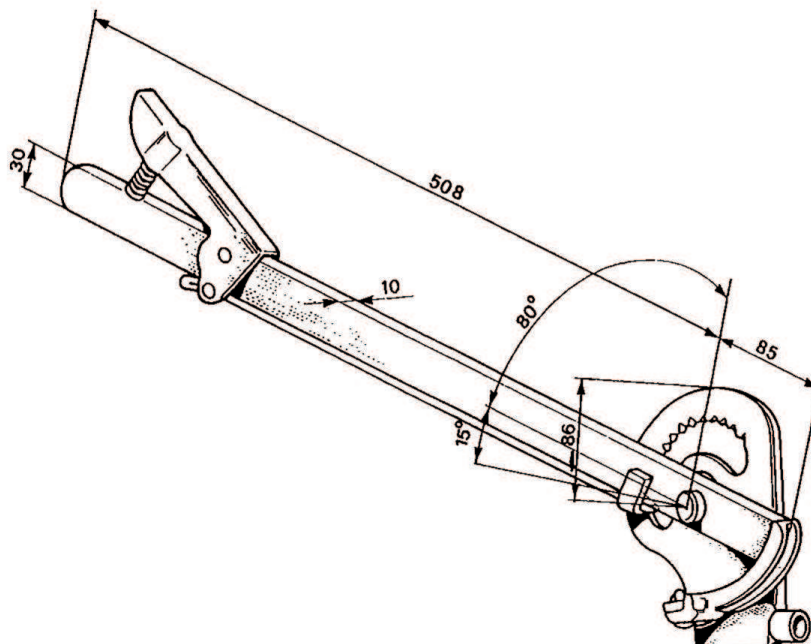
Zincata - Galvanized - Zinguèe - Verzinkt

Art. 29100301

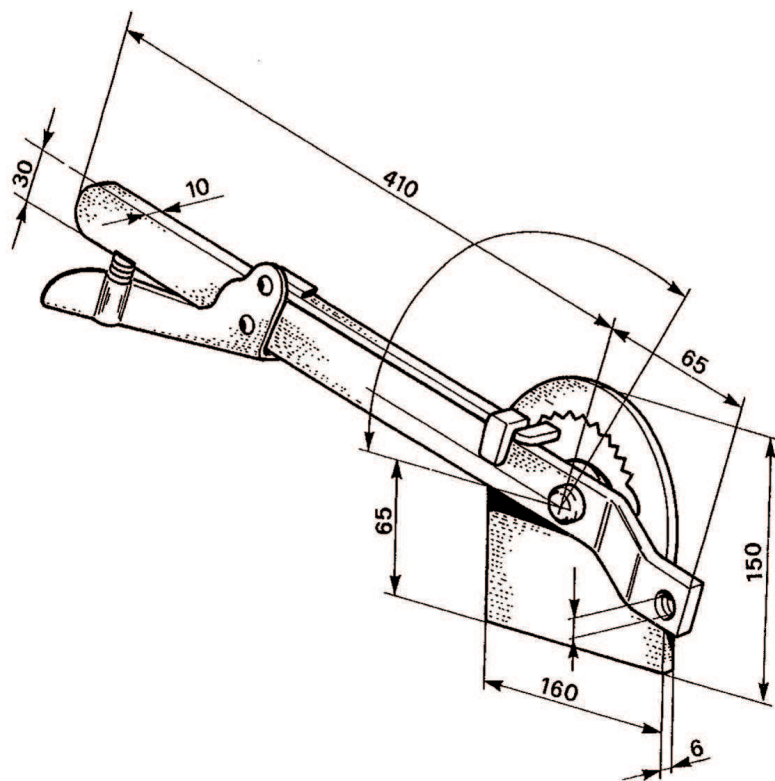


Leva freno parcheggio
Parking bracke lever
Levier frein stationnement
Palancas freno aparcamiento
Grezza - Raw - Brut

Art. 29100100/SC - 3,000 kg

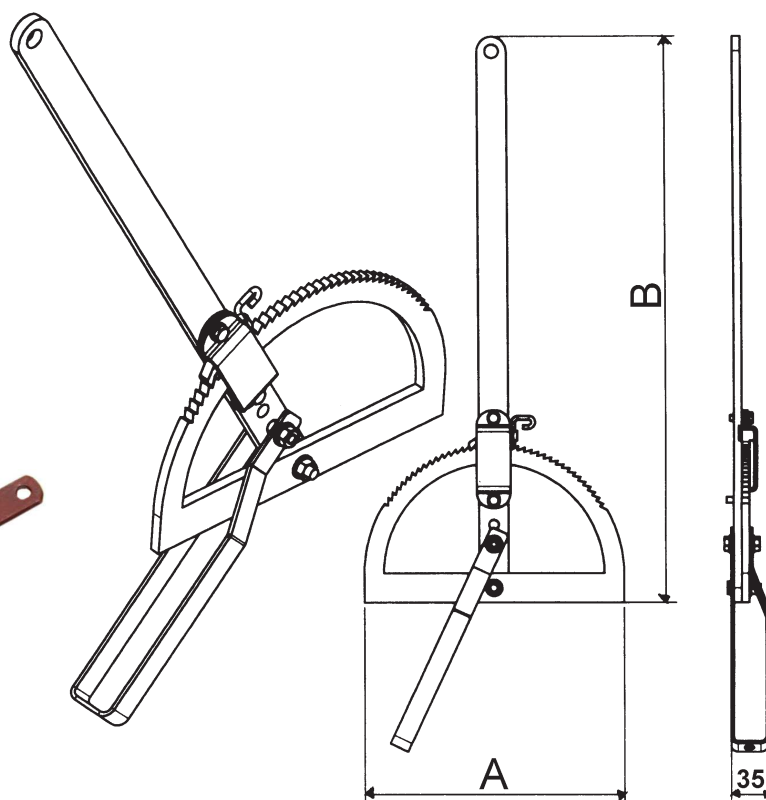


Leva freno parcheggio
Parking bracke lever
 Levier frein stationnement
Palancas freno aparcamiento
 Grezza - Raw - Brut
Art. 29100400 - 2,500 kg



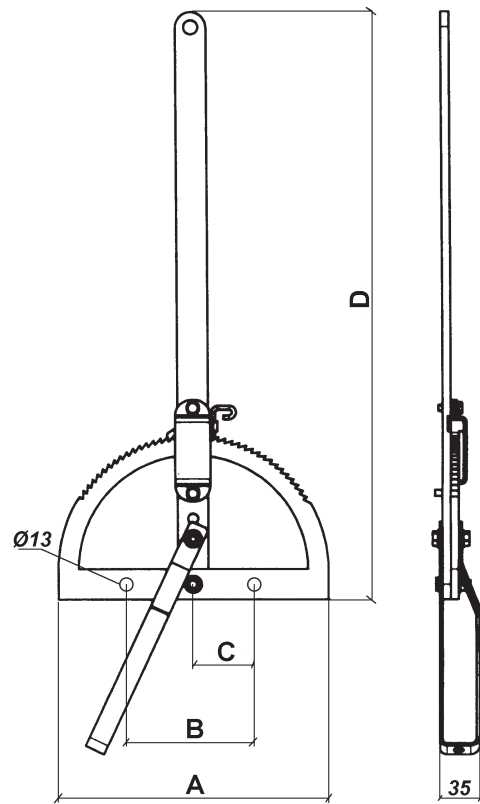
Leva freno a mano tipo "Francia" verniciata rossa
Hand brake lever type "France" red painted

Articolo <i>Article</i>	A	B	Kg
29100500	240	490	2,3
29100501	270	595	2,6
29100502	265	800	3,3



Leva freno a mano zincata tipo "Francia" con fori
Galvanized Hand brake lever type "France" with holes

Articolo Article	A	B	C	D	Kg
29100503	265	200	100	775	3,0
29100504	270	150	75	595	2,6



Molla a balestra occhio e slitta
Leaf springs with eye and flat end
 Ressorts à lames superposée ceil et chariot
Aufhängungsfeder - auge und schlitten
Art. 19100100 - 24,200 kg

